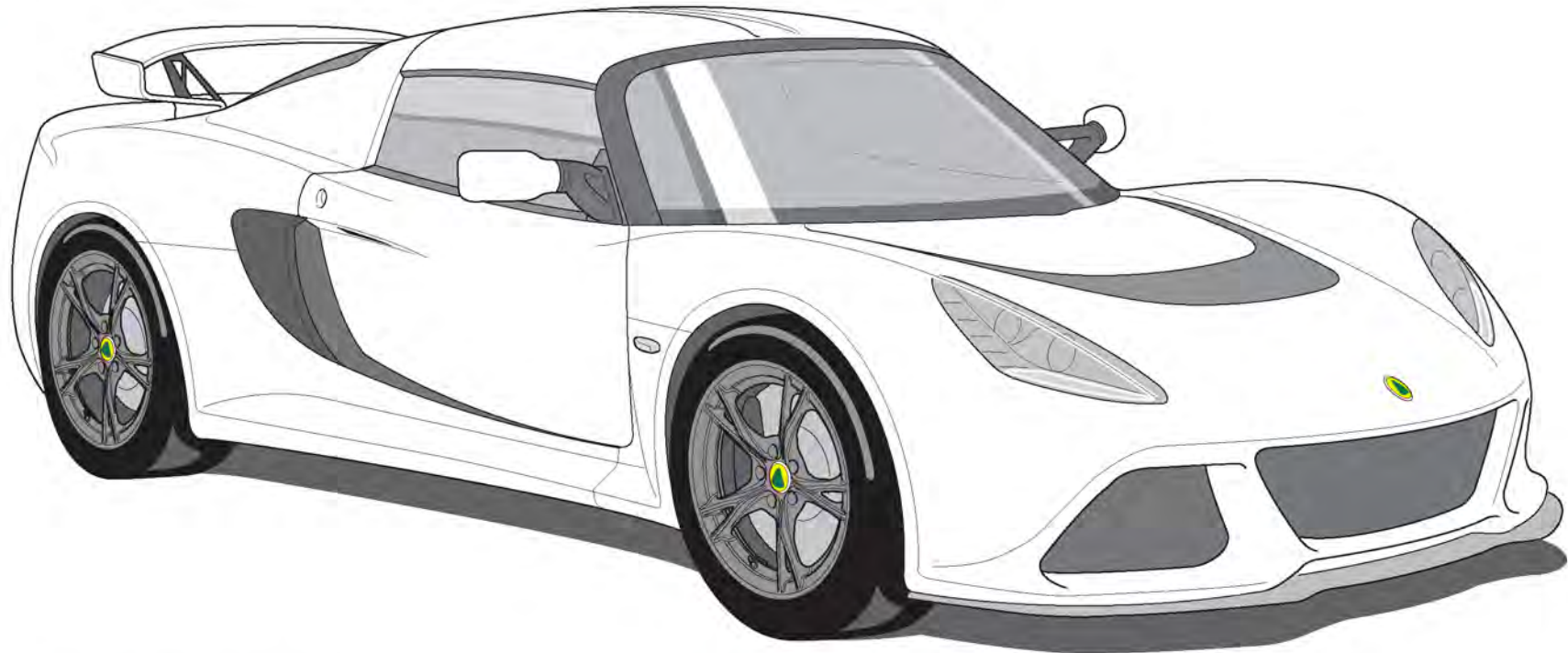




EXIGE S SERVICE PARTS LIST



EXIGE
S

Technical Publications., Lotus Cars Ltd, Hethel, Norwich, Norfolk, NR14 8EZ. England.

© Lotus Cars 2012

Tel: +44 (0)1953 608000 www.lotuscars.com

A138T0325J

Updated 1st October 2013

FOREWORD

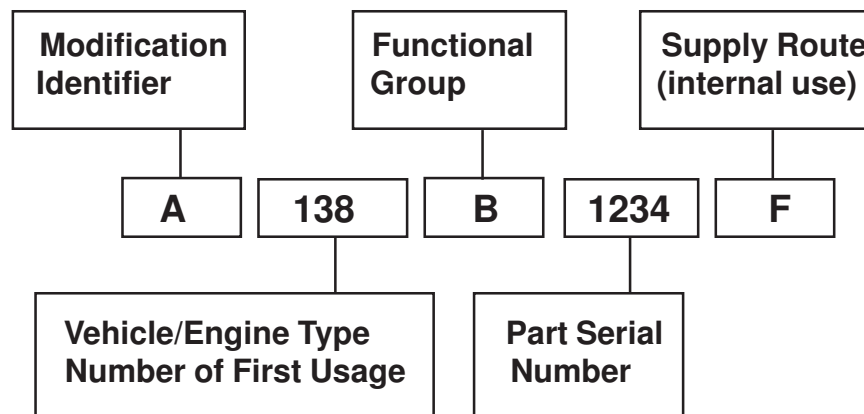
This publication has been designed for use by Lotus Dealers, and may be updated periodically by the issuing of update packages to the dealer network. Lotus policy is one of continuous product improvement and the right is reserved to alter specifications at any time without prior notice. Whilst every care has been taken to ensure correctness of information, it is impossible to guarantee complete freedom from omissions and errors, or to accept liability arising from such errors or omissions, but nothing herein contained shall affect your statutory rights.

USE OF THE PARTS LIST

This parts list covers the Exige S range, 2012 model year onwards. The manual is arranged in function groups, as defined by the Contents page, and may sometimes use several versions of the same function group to accommodate model variations - take care to establish the full vehicle specification in order to properly identify the applicable parts list section.

PART NUMBERS

Part numbers used in this publication are in the format as follows:



Modification Identifier: This letter identifies a version or modification of the part. Part numbers with different prefix letters may or may not be interchangeable - refer to the remarks and option columns.

Vehicle/Engine Type Number: The type number indicates either the model or engine type on which the part was first used.

026, 036, 045, 500....Elan	082....Esprit Turbo	111....Elise	122....Exige 2	131....Elise S (1ZZ)	907....4 cyl. 2.0 NA
050....Elan+2	083....Elite S2	340....340R	123....Exige USA	132....Evora	910....4 cyl. 2.2 turbo
046, 054, 065, 074....Europa	084....Eclat S2	117....Elise 2 (Rover)	124....Europa 2006	138....Exige S	912....4 cyl. 2.2 NA
075....Elite S1	085....Esprit S3	117....Elise 2001 MY	127....2-Eleven		920....4 cyl. 2.0 turbo
076....Eclat S1	089....Excel	120....Elise111R	128....Exige S (euro)		918....V8 3.5 turbo
079....Esprit S1/S2/S2.2	100....Elan 1990	121....Elise USA	129....Exige S (fed)		

Functional Group: A single letter indicating the functional area of the parts first use

A = Chassis

B = Body

C = Front Suspension

D = Rear Suspension

E = Engine

F = Transmission

G = Wheels & Tyres

H = Steering

J = Brakes

K = Cooling

L = Fuel System

M = Electrics

P = Heater & AC

Q = Clutch

R = Final Drive

S = Exhaust

U = Hard Trim

V = Soft Trim

W = Standard Fixings

Updated 1st October 2013

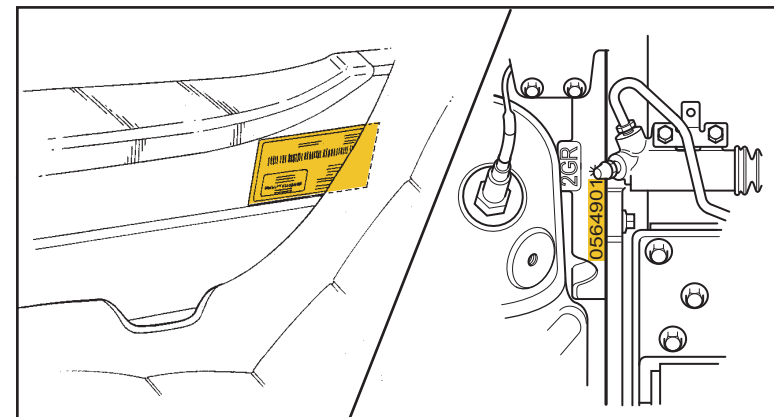
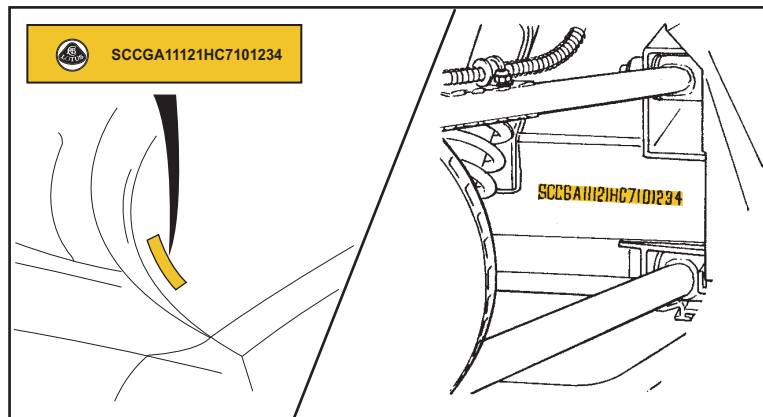
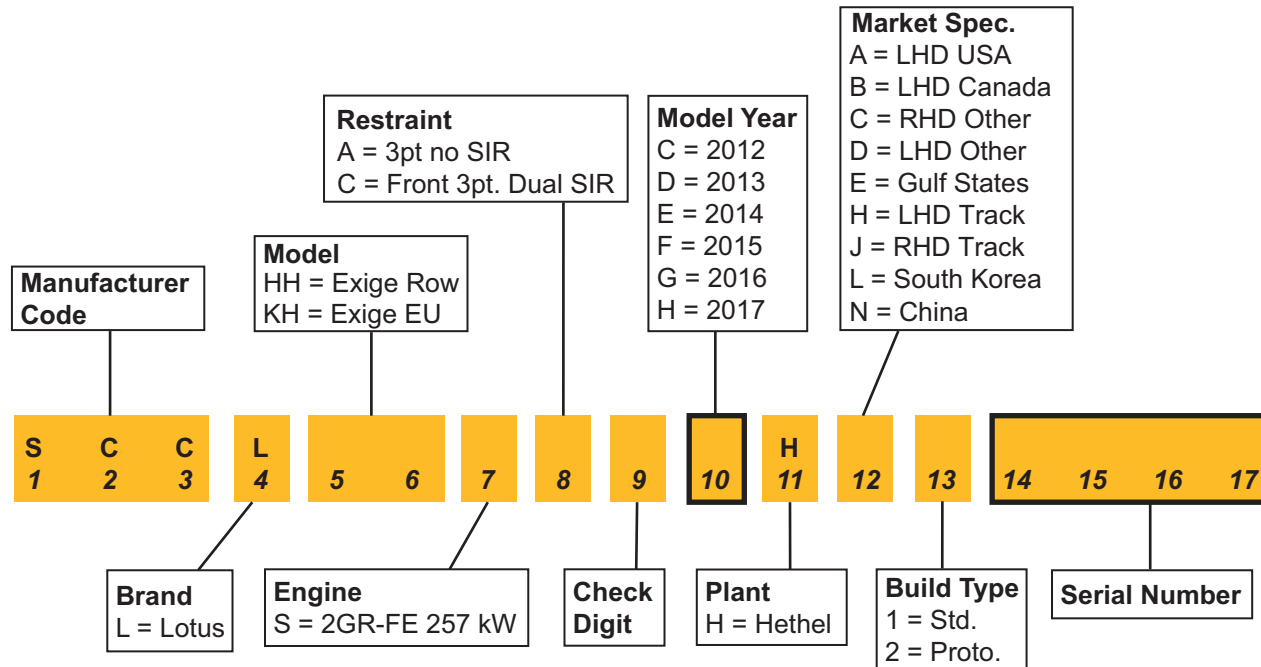
VEHICLE IDENTIFICATION NUMBER & ENGINE NUMBER

The Vehicle Identification Number (V.I.N.) is located on the left hand side of the windscreen and stamped on the chassis in the right hand front wheelarch area, viewable with the front wheels turned to full right lock, and is also printed on a label stuck to the chassis sideframe alongside the driver's seat..

The engine number is marked on a vertical patch at the right hand side of the rear face of the cylinder block, adjacent to the clutch housing.

Both numbers should always be quoted with any vehicle enquiries, as Factory records are filed against V.I.N., and specification change points are identified by V.I.N. or engine number. The vehicle licence number should be considered irrelevant, since it may not accurately reflect the vehicle age, and may also be changed during the car's life.

The V.I.N. comprises 17 characters, coded in accordance with European Economic Community (EEC) directives. For change point identification in Service Notes and Service Parts Lists, characters 10 (model year) and 15 - 17, or 14 - 17 (serial number) will be quoted



Updated 24th January 2013



10.00 Body

- 10.01 Body: Front & Rear Clamshells & Fixings
- 10.02 Body: Bodysides, Windscreen Frame & Rear Bulkhead
- 10.04 Crash Structures
- 10.09 Front Services Access Panels
- 10.11 Tailgate & Release Mechanism
- 10.13 Engine Compartment, Cover, Latch Mechanism
- 10.15 Door Shells, Beams, Hinges
- 10.17 Door Latch Mechanism
- 10.23 Bumpers, Valences Spoilers & Aerofoils
- 10.25 Undertray & Diffuser
- 10.31 Towing Strut/ Hook

11.00 Glazing and Seals

- 11.01 Windscreen, Door Glass, Seals & Weather Strips
- 11.02 Door Window Lift Mechanism

12.00 Exterior Fittings

- 12.01 Wheelarch Liners
- 12.02 Soft Top Roof, Cant Rails, Roof Bows
- 12.03 Grilles and Louvres
- 12.04 Roof Panel, Seals & Fixings
- 12.05 Decals, Badges & Protective Film
- 12.07 Licence Plate Mountings
- 12.09 Exterior Driving Mirrors

13.00 Seats & Seat Belts

- 13.01 Seat Runners
- 13.02 Seat Assemblies, front
- 13.27 Seat Belts, front

14.00 Pedal Box & Fascia

- 14.01 Pedal Box, Pedals, Throttle Control
- 14.05 Fascia Structure & Supporting Hardware
- 14.10 Instrument Cowling

15.00 Interior Trim

- 15.05 Interior Driving Mirror & Sunvisors
- 15.11 Interior Trim & Stowage Provision
- 15.13 Front Door Trims
- 15.18 Interior Trim, Chassis Trim Panels
- 15.19 Centre Tunnel Trim, Gear Lever Gaiters/Shrouds
- 15.24 Luggage Compartment Carpet
- 15.30 Carpeting & Mats

16.00 Sound Insulation

- 16.01 Passenger Compartment Sound Insulation

17.00 Electrical

- 17.01 Harnesses, Leads
- 17.03 Horn, Inertia Switch, Modules, Fuses & Relays
- 17.05 Interior Switches, Auxiliary Power Socket
- 17.06 Engine Management & Sensors
- 17.07 Instruments, Tell Tales, & Displays
- 17.11 Exterior Lamps, Except Headlamps
- 17.13 Headlamps
- 17.17 Interior Lamps
- 17.21 Windscreen Wiper Motor, Wipers & Washers
- 17.27 In Car Entertainment
- 17.31 Battery, Clamps, & Cables
- 17.33b Security Alarm System, PFK, 2008 MY
- 17.35 Other Electrical, SIR: Inflator Modules, DERM & Sensors



18.00 Heating, Ventilation, Air Conditioning

- 18.01 Heater/ Air Conditioning Assemblies, Housings
 - 18.03 AC Components, Pipes, Hoses
 - 18.05 Heater, Pipes, Hoses
 - 18.07a AC Interior Blower Motor
 - 18.09a AC/Heater Driver Operated Controls
 - 18.12 AC/Heater Air Distribution Plenum
 - 18.13 Air Trunking, Ducts & Ventilators
 - 18.14 AC Air Recirculation System
-

19.00 Labels & Literature

- 19.01 Labels, Certificates, Literature etc.
 - 19.03 Owner's Handbooks & Service Notes Manuals
-

30.00 Chassis

- 30.01 Chassis, Subframes
 - 30.02 Seat Belt Mounting Frames, Stays
-

31.00 Suspension

- 31.01 Front Suspension, Incl. Hubs
 - 31.03 Rear Suspension, Incl. Hubs
-

32.00 Steering

- 32.01 Rack & Pinion, & Lower Column
 - 32.05 Upper Column, Steering Wheel
-

33.00 Brakes

- 33.01 Brake Discs, Calipers, & Parking Brake Assembly
 - 33.03 Master Cylinder, Servo, ABS Controller, Pipes & Hoses
 - 33.05 Parking Brake Mechanism
-

34.00 Wheels & Tyres

- 34.01 Wheels, Tyres & Valves
-

40.00 Engine

- 40.00 Engine Assemblies
 - 40.01 Engine Block & Oil Pick up
 - 40.01a Engine Mounts
 - 40.02 Gaskets & Sealants, Top Overhaul Set
 - 40.02a Gaskets & Sealants, Bottom Overhaul Set
 - 40.03 Sump Assembly
 - 40.05 Cylinder Head, Valves, Springs
 - 40.07 Camshafts, Tappets, Cam Cover
 - 40.08 Camshaft Drive Chain & Sprockets
 - 40.09 Pistons, Con-rods, Liners
 - 40.11 Crankshaft, Bearings, Flywheel
 - 40.13 Water Pump Assembly, Thermostat
 - 40.15 Lubrication System
 - 40.17 Ignition System, Spark plugs & Plug Top Coils
 - 40.19 Alternator and Starter Motor
 - 40.21 Exhaust Manifold
 - 40.23 AC Compressor
-

41.00 Belts and Pulleys

- 41.03 Auxiliary Drive Belts & Pulleys
-

42.00 Induction Systems

- 42.01 Airboxes, Trunking & Air Filters
 - 42.04 Throttle Body, Mechanism & IAC Valve
 - 42.05 Fuel Injection System
 - 42.09 Supercharger
-

43.00 Emission Equipment

- 43.03 Vacuum System, Hoses, Pipes & Fittings
-



44.00 Fuel System

- 44.01 Fuel Tanks, Filler
 - 44.03 Fuel Pump; Filter, Pipes
 - 44.05 Charcoal Canister & Evaporative Loss System.
-

45.00 Exhaust

- 45.01 Exhaust System
 - 45.05 Heatshields
-

46.00 Cooling

- 46.01 Engine Cooling System & Fan
 - 46.02 Engine Cooling System
 - 46.07 Single Oil Cooler System Engine
-

47.00 Transmission

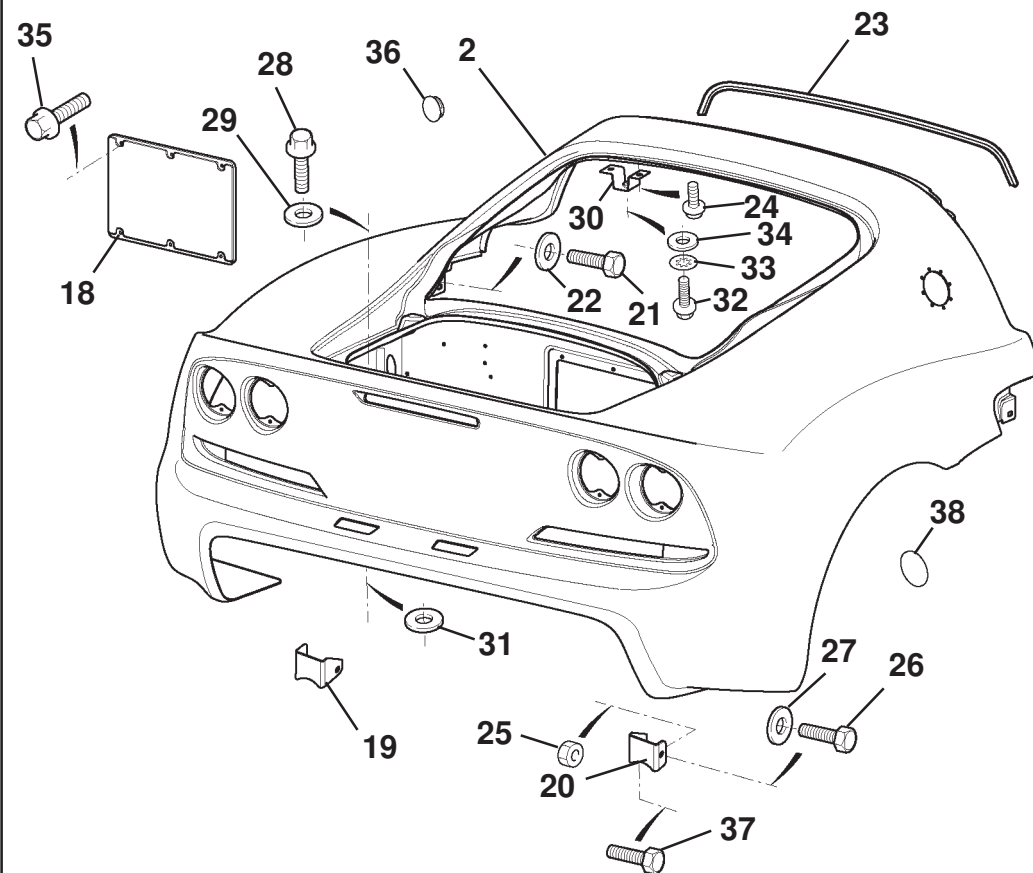
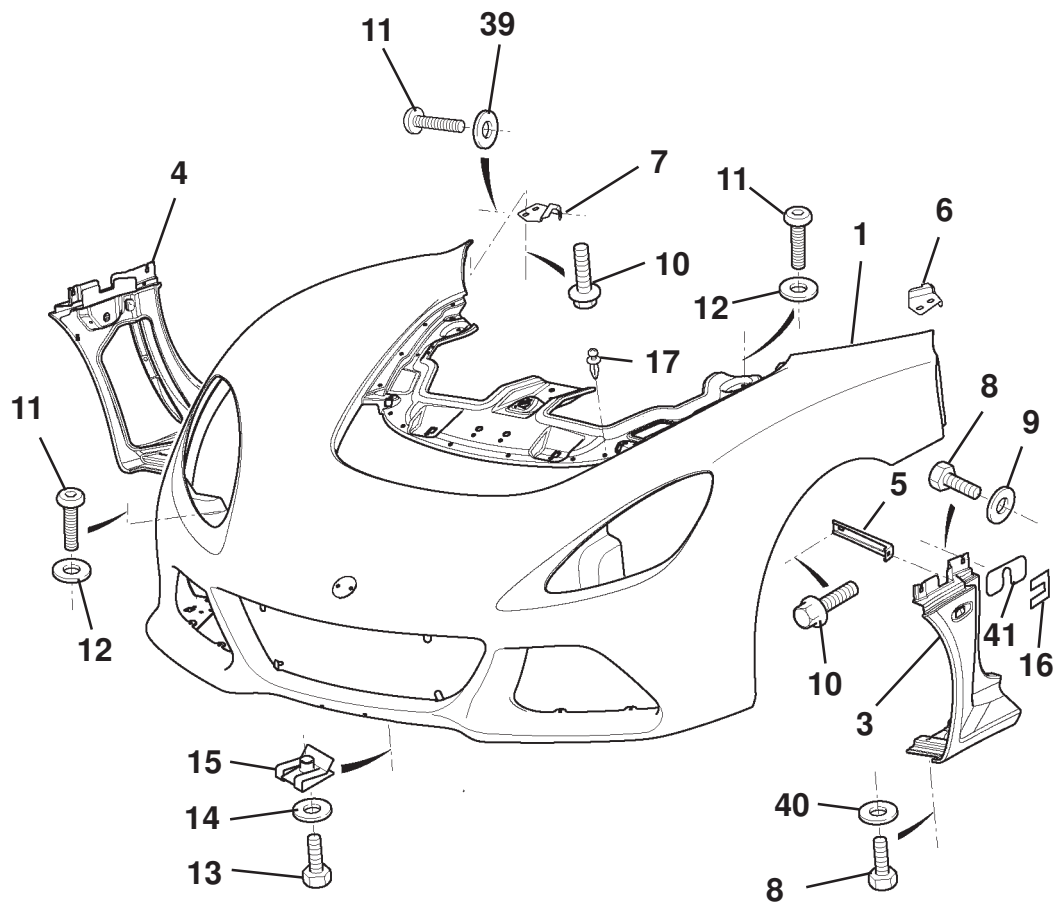
- 47.01 Clutch & Release Mechanism
 - 47.03 Transmission Assembly
 - 47.05 Gearchange Mechanism, External
 - 47.06 Gear Selector Mechanism, Internal
 - 47.07 Gears, Shafts & Bearings
 - 47.11 Final Drive & Bearings
 - 47.15 Driveshafts & Seals
-

60.00 Special tools

- 60.01 Tool Kit
 - 60.01a Diagnostic Equipment
 - 60.02 Special Tools
-

80.00 Bulk Items

- 80.20a Touch-in Paint Pencil Range
-



EXIGE

10.01

Updated 27th february 2013

Service Parts List

EXIGE



Function Code 10.01 Body: Front & Rear Clamshells & Fixings

<u>Dep</u>	<u>Part Description</u>	<u>Remarks</u>	<u>Option</u>	<u>Part Number</u>	<u>Qty</u>
01	Front Clamshell Assembly Primed			A138B0100K	1
02	Rear Clamshell Assembly Primed			C138B0127K	1
02a	Rear Clamshell Assembly Primed	Holes for soft top stay	Roadster	A138B0246J	1
03	'A' Panel Assembly Primed LH			A138B4115K	1
04	'A' Panel Assembly Primed RH			A138B4116K	1
05	Bracket , front clam side			A138B0121F	2
06	Bracket, front clamshell to 'A' post, LH			A120B4079F	1
07	Bracket, front clamshell to 'A' post, RH			A120B4080F	1
08	Screw, M6 x 16, hex. hd., clamshell fixing			A075W1028Z	10
09	Washer, flat, M6 x 20 x 2.5, clamshell fixing			B082W4016F	6
10	Screw, M6 x 20, hex. flg hd., clamshell fixing			A132W5004F	8
11	Screw, M8 x 25, button hd., S/S, clamshell fixing			A111W7175F	6
12	Washer, flat, M8 x 16.5 x 1.6, clamshell fixing			A111W4175F	4
13	Screw M5 x16 hex hd s/s			A111W1163F	5
14	Washer Flat 3/16 x 3/4 x 16g s/s			B075W4009Z	5
15	Speed Nut M5			B100W6372F	5
16	Shim, front clamshell alignment, 0.5mm			A116B0460K	As req.
16a	Shim, front clamshell alignment, 1.0mm			A116B0461K	As req.

EXIGE

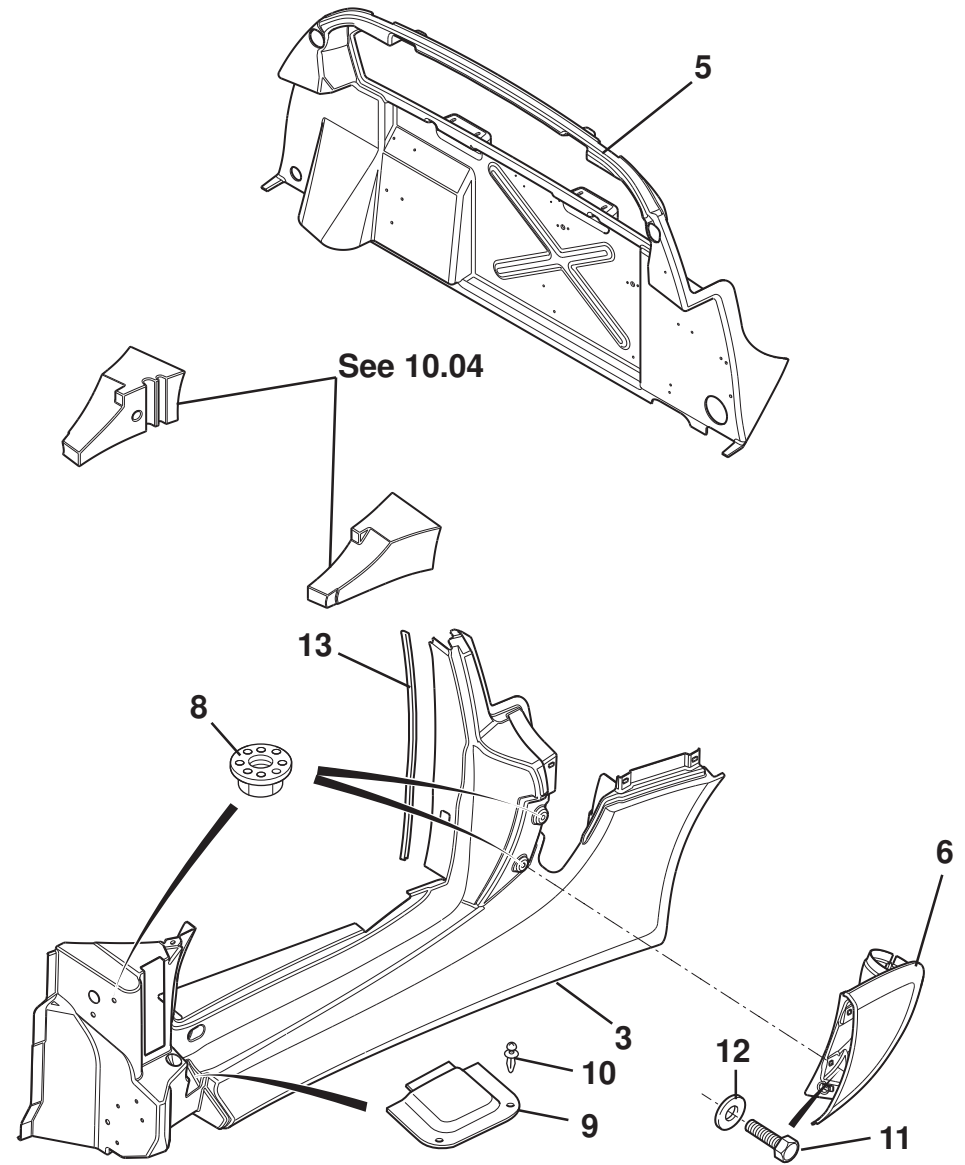
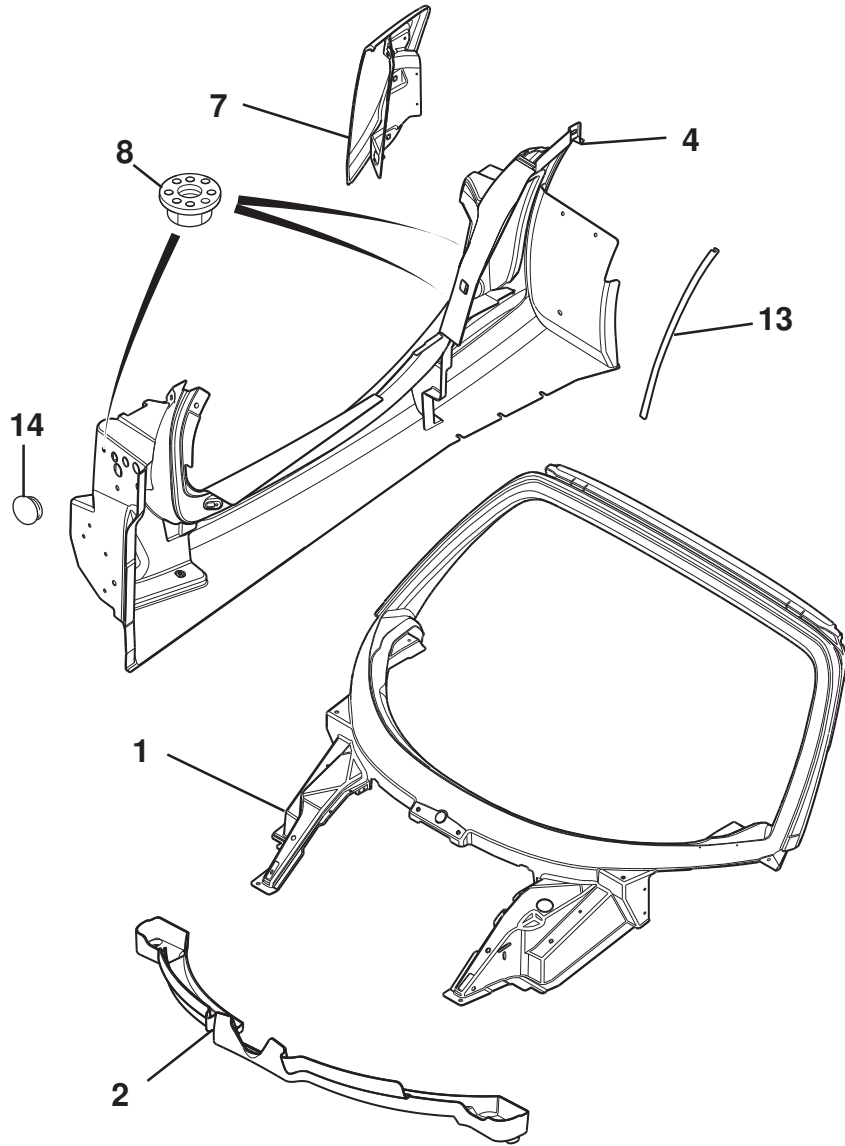
Function Code 10.01 Body: Front & Rear Clamshells & Fixings

<u>Dep</u>	<u>Part Description</u>	<u>Remarks</u>	<u>Option</u>	<u>Part Number</u>	<u>Qty</u>
17	Scrivet, panel radiator shroud			A120W6848F	6
18	Boot Access Panel	See 1601 for insulation		A132B0121F	1
19	Bracket Wheelarch LH			A138B4165F	1
20	Bracket Wheelarch RH			A138B4166F	1
21	Screw, M6 x 16, hex. hd., clamshell fixing			A075W1028Z	4
22	Washer, flat, M6 x 18 x 1.0, clamshell fixing			B082W4018F	4
23	Edge Finisher, rear header			A117B6010F	1
24	Screw M5 x 12 flg btn hd, bracket assembly			A111W7183H	4
25	Nut M6, wheel arch bracket			A075W3020H	2
26	Screw M6 x 10 hex hd, wheel arch bracket			A075W1026F	2
27	Washer, flat, M6 x 18 x 1.0, wheel arch bracket			B082W4018F	2
28	Bolt M8 x 25 hex flg, bootbox to subframe	1 fixing used for battery tray		A132W5006F	5
29	Washer, flat, M8 x 25 x 1.5, bootbox to subframe	1 fixing used for battery tray		B075W4021F	5
30	Bracket Assembly, rool hoop LH			A138B4123F	1
30a	Bracket Assembly, rool hoop RH			A138B4124F	1
31	Shim, 9 x 28 x 3, clamshell to subframe			A124B0255F	As req.
31a	Shim, 9 x 28 x 2, clamshell to subframe			A124B0256F	As req.
32	Screw M6 x 25, clamshell to header			A075W1031F	2
33	Washer Shakeproof M6, clamshell to header			A075W4046F	2
34	Washer, flat, M6 x 20 x 2.5, clamshell to header			A075W4016F	2
35	Screw M6 x 14 flg hd, access panel			A116W5233F	6



Function Code 10.01 Body: Front & Rear Clamshells & Fixings

<u>Dep</u>	<u>Part Description</u>	<u>Remarks</u>	<u>Option</u>	<u>Part Number</u>	<u>Qty</u>
36	Grommet Blanking 15.9mm, unused tailgate release cable hole			A138W6011F	1
37	Screw, M6 x 16, hex flg. hd. wheel arch bracket			A132W5003F	2
38	Blanking Patch, 20 mm dia			A111V0206F	4
39	Washer, flat, M8 x 25 x 1.5, clamshell fixing			B075W4021F	2
40	Washer, flat, M6 x 25 x 1.4, clamshell fixing			A075W4017F	4
41	Shim, front clamshell alignment, 1.6mm			A116B0985F	4



EXIGE

10.02

Updated 17th August 2012

Service Parts List

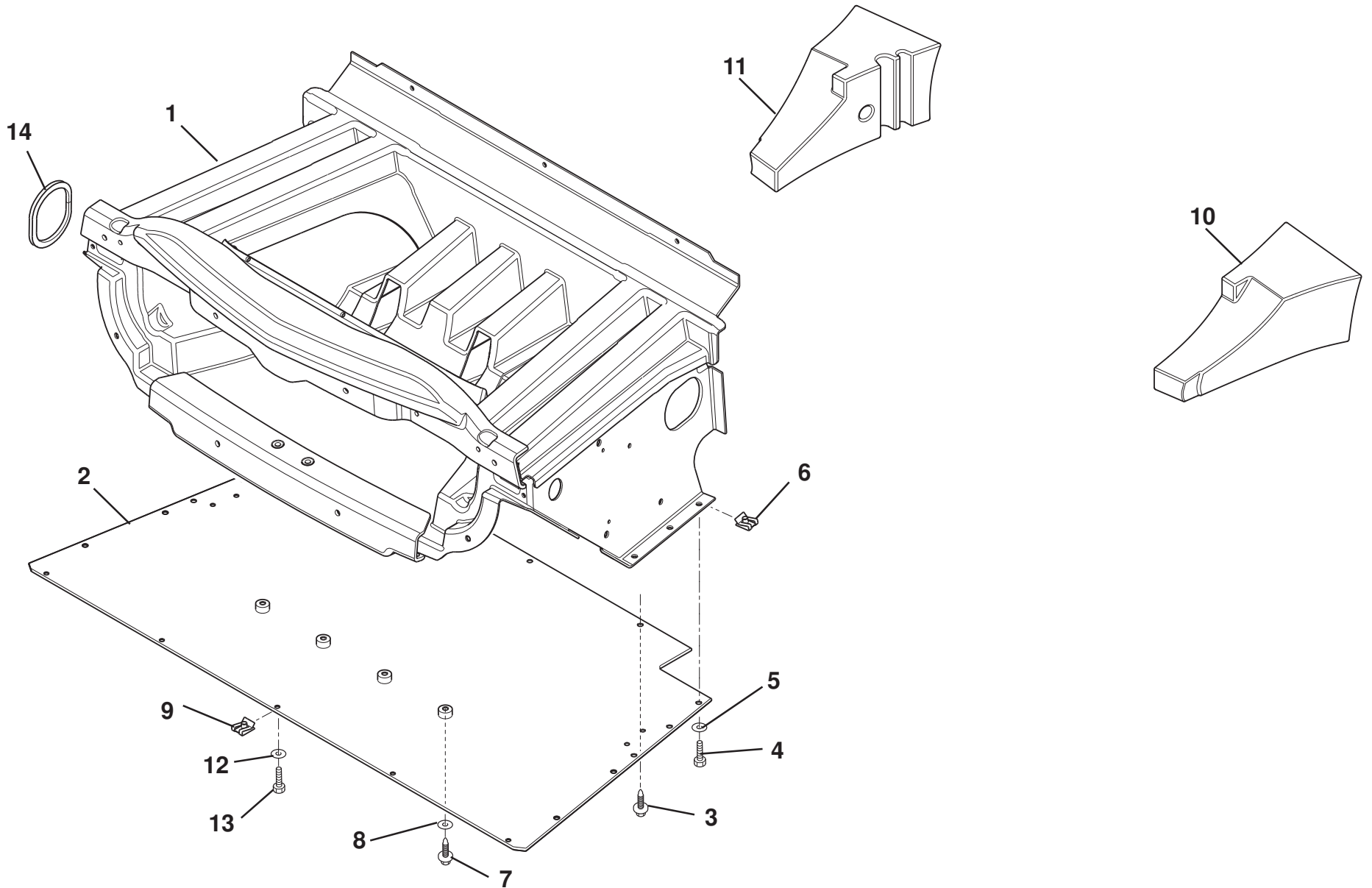
EXIGE



Function Code 10.02 Body: Bodysides, Windscreen Frame & Rear Bulkhead

<u>Dep</u>	<u>Part Description</u>	<u>Remarks</u>	<u>Option</u>	<u>Part Number</u>	<u>Qty</u>
01	Windscreen Frame Assembly Painted			A138B0222K	1
02	Gutter Windscreen			B138B0080F	1
03	Bodyside Assmby Primed LH			C138B4105K	1
04	Bodyside Assmby Primed RH			C138B4106K	1
05	Panel Rear Bulkhead			B138B0095F	1
06	Side Intake Assembly LH			A138B4127K	1
07	Side Intake Assembly RH			A138B4128K	1
08	Bondnut M6			A117B0299F	6
09	Finisher Panel, front sill recess, LH			B117U0169F	1
09a	Finisher Panel, front sill recess, RH			B117U0168F	1
10	Plastic Fastener, panel fix.			A100W6479F	4
11	Screw, M6 x 16, hex. flg hd., side intake			A126W1215F	6
12	Washer Flat M6, side intake			A126W4213F	6
13	Edge Finisher, 'B' post			A117U0462F	2
14	Grommet Blanking 35.9mm,			A138W6009F	1

EXIGE



EXIGE

10.04

Updated 1st July 2013

Service Parts List

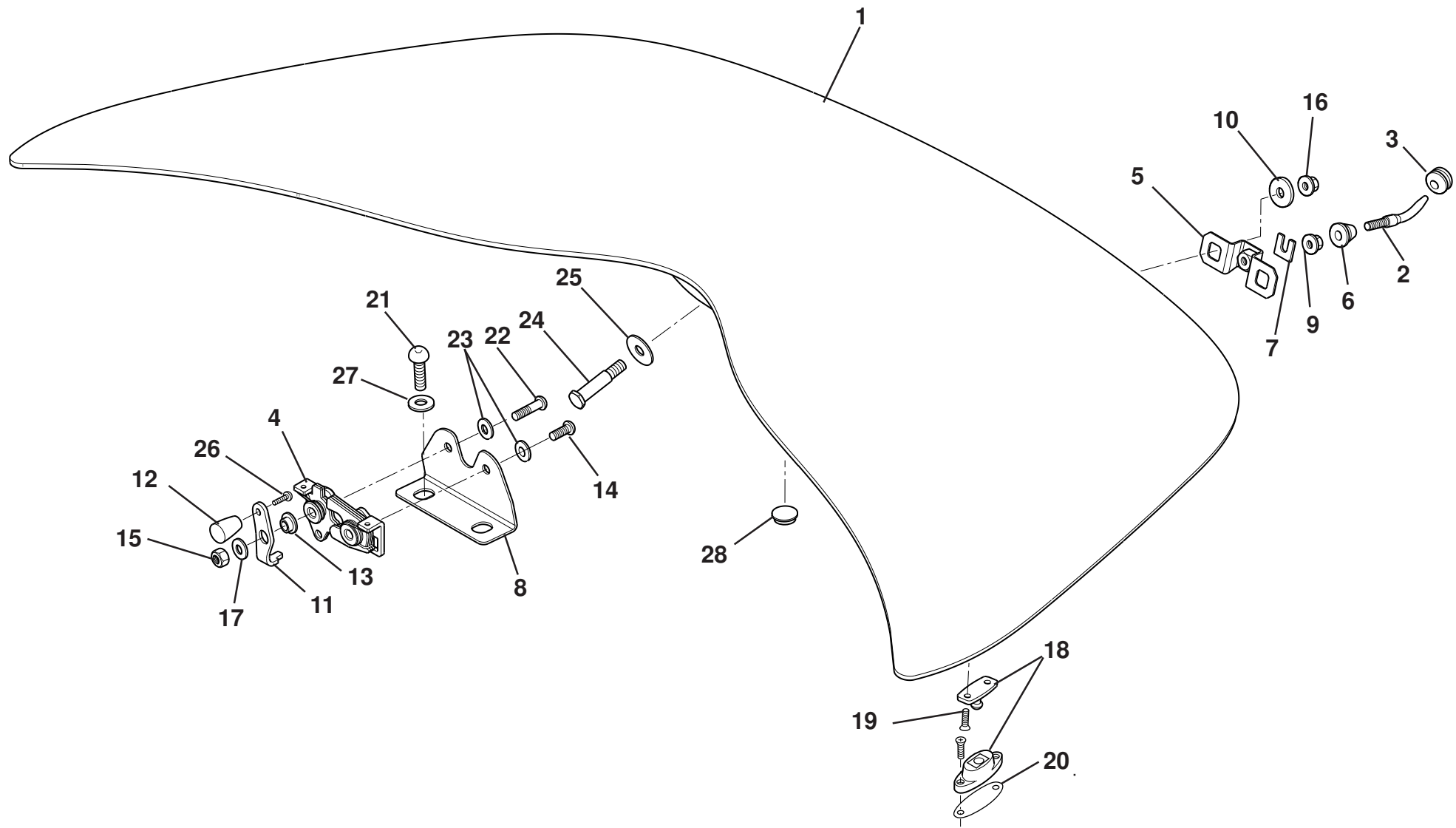
EXIGE



Function Code 10.04 Crash Structures

<u>Dep</u>	<u>Part Description</u>	<u>Remarks</u>	<u>Option</u>	<u>Part Number</u>	<u>Qty</u>
01	Front Crash Structure Assembly			B138B0058K	1
02	Panel Assembly, front undershield			A138B0226F	1
03	Screw M6 x 12 hex flg			A111E6007F	3
04	Screw M5 x 16 hex			A111W1163F	6
05	Washer Flat 3/6 x 3/4 x16g			B075W4009Z	6
06	Speed Nut M5			B100W6372F	6
07	Setscrew M6 x 25 hex flg hd			A132W5014F	4
08	Washer M6 x 25 x 1.4 s/s			B075W4017F	4
09	Speed Nut M5			B100W6372F	5
10	Side Impact Foam, LH			A138B4063F	1
11	Side Impact Foam, RH			A138B4064F	1
12	Screw M5 x16 hex hd s/s			A111W1163F	5
13	Washer Flat 3/16 x 3/4 x 16g s/s			B075W4009Z	5
14	Edge Finisher			A111V6034V	275mm

EXIGE



EXIGE

10.09

Updated 4th April 2013

Service Parts List

EXIGE



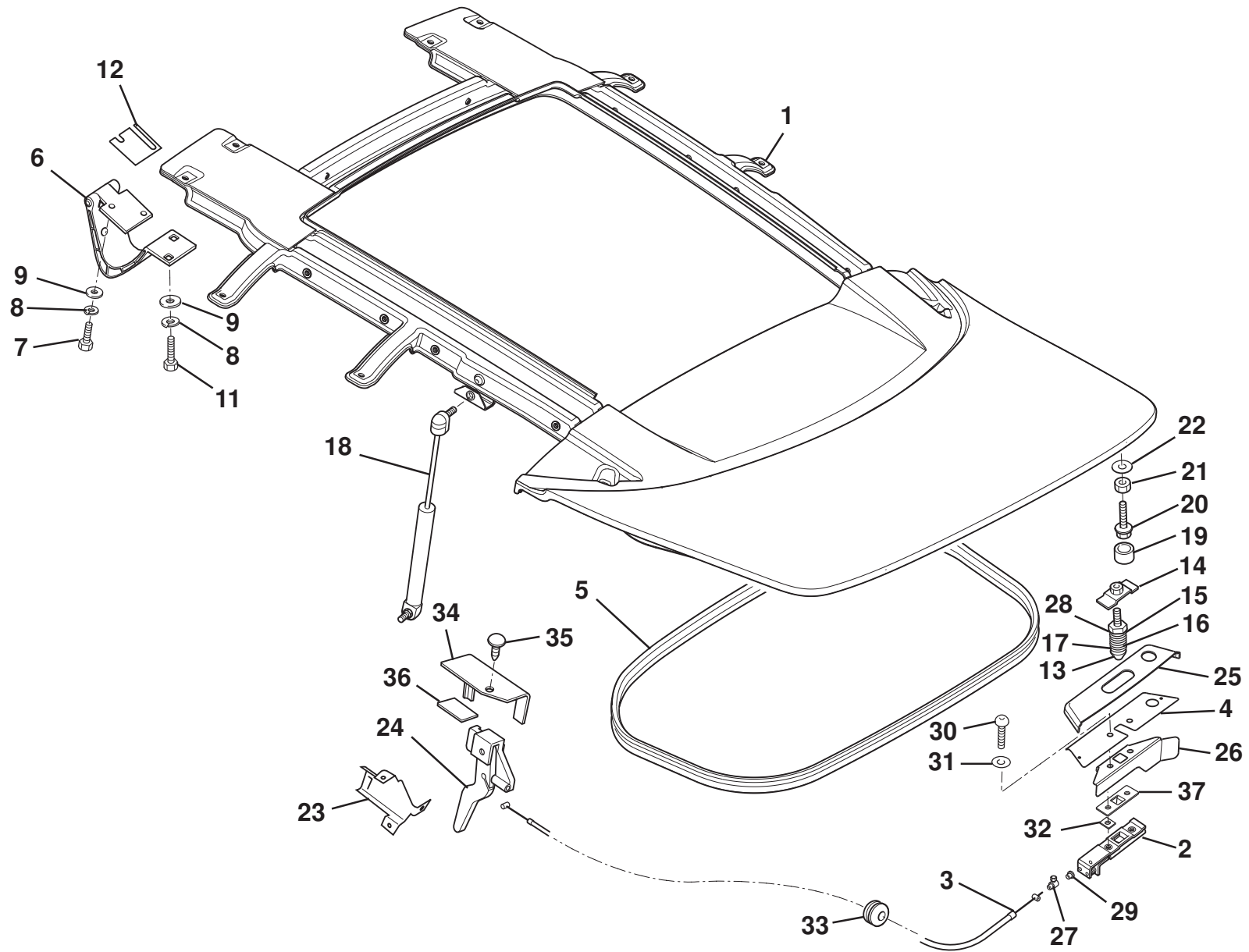
Function Code 10.09 Front Services Access Panels

<u>Dep</u>	<u>Part Description</u>	<u>Remarks</u>	<u>Option</u>	<u>Part Number</u>	<u>Qty</u>
01	Front Access Cover Primed			B138B0097K	1
02	Pin, access cover			A138B0120F	2
03	Grommet			X036B6010F	2
04	Latch, front access cover			A132U6088F	1
05	Bracket Assembly, access pin			B138B0107F	2
06	Grommet			A138W6004F	3
07	Shim			A132U0340F	4
08	Bracket, latch striker			C138B0039F	1
09	Nut M6 hex flg			A117W3180F	2
10	Washer M6 x 20 x 2.5			A075W4016F	4
11	Lever, access cover release			B138B0044F	1
12	Knob, taper female			A138W2012F	1
13	Bush Flanged			A138W4000F	1
14	Screw M6 x 16 btn cap s/s black			A082W7105F	1
15	Nut Nyloc M6			A075W3009F	1
16	Nut M6 hex flg			A117W3180F	4
17	Washer M6 x 15 x 1.5 s/s black			A082W4133F	1
18	Mounting Block Assembly			A120B0325F	2

EXIGE

Function Code 10.09 Front Services Access Panels

<u>Dep</u>	<u>Part Description</u>	<u>Remarks</u>	<u>Option</u>	<u>Part Number</u>	<u>Qty</u>
19	Screw M4 x 20 pozi csk			A100W5156F	8
20	Shim, 1.5mm, mounting block to clamshell			A120B0323F	As req.
21	Screw M8 x 25 btn cap			A111W7175F	2
22	Screw M6 x 35 btn cap s/s black			A132W7004F	1
23	Washer M6 x 15 x 1.5 s/s black			A082W4133F	2
24	Pin, access cover latch			A138B0212F	1
25	Washer			A132U6081F	1
26	Screw M5 x 16 pan pozi			A082W5184F	1
27	Washer M8 x 25 x 1.5 s/s			B075W4021F	2
28	Buffer,alarm switch	To be confirmed		A138W6007F	1



EXIGE

10.11

Updated 1st October 2013

Service Parts List

EXIGE



Function Code 10.11 Tailgate & Release Mechanism

<u>Dep</u>	<u>Part Description</u>	<u>Remarks</u>	<u>Option</u>	<u>Part Number</u>	<u>Qty</u>
01	Tailgate Assmbly Primed	Holes for rear wing		B138B0122K	1
01a	Tailgate Assmbly Primed	Without holes for rear wing		A138B0262S	1
02	Latch Assembly, tailgate			A082U6087F	1
03	Cable, tailgate release LHD/RHD			A138B0088F	1
04	Plate, tailgate striker			A138B0156F	1
05	Seal Boot Box			B138B0074F	1
06	Hinge Assembly, tailgate			A122B0084F	2
07	Screw, M6 x 18, hex. hd., hinge to clamshell			A075W1029Z	4
08	Washer, spring, M6, hinge to clamshell/tailgate			A075W4035Z	8
09	Washer, flat, M6 x 20, hinge to tailgate			A075W4016Z	4
10	Washer, flat, M6 x 12, hinge to clamshell			A100W4127F	4
11	Screw, M6 x 25, hex. hd., hinge to tailgate			A075W1031F	4
12	Shim, hinge rotor to tailgate			A122B0199F	As req.
13	Striker Pin			A116B0468F	1
14	Nutplate, M10, floating, striker pin fixing			B111U0032F	1
15	Nut, striker pin			A120B0379F	1
16	Spring, striker pin			A111U6023F	1
17	Spring Retainer Cup			A120B0378F	1

EXIGE

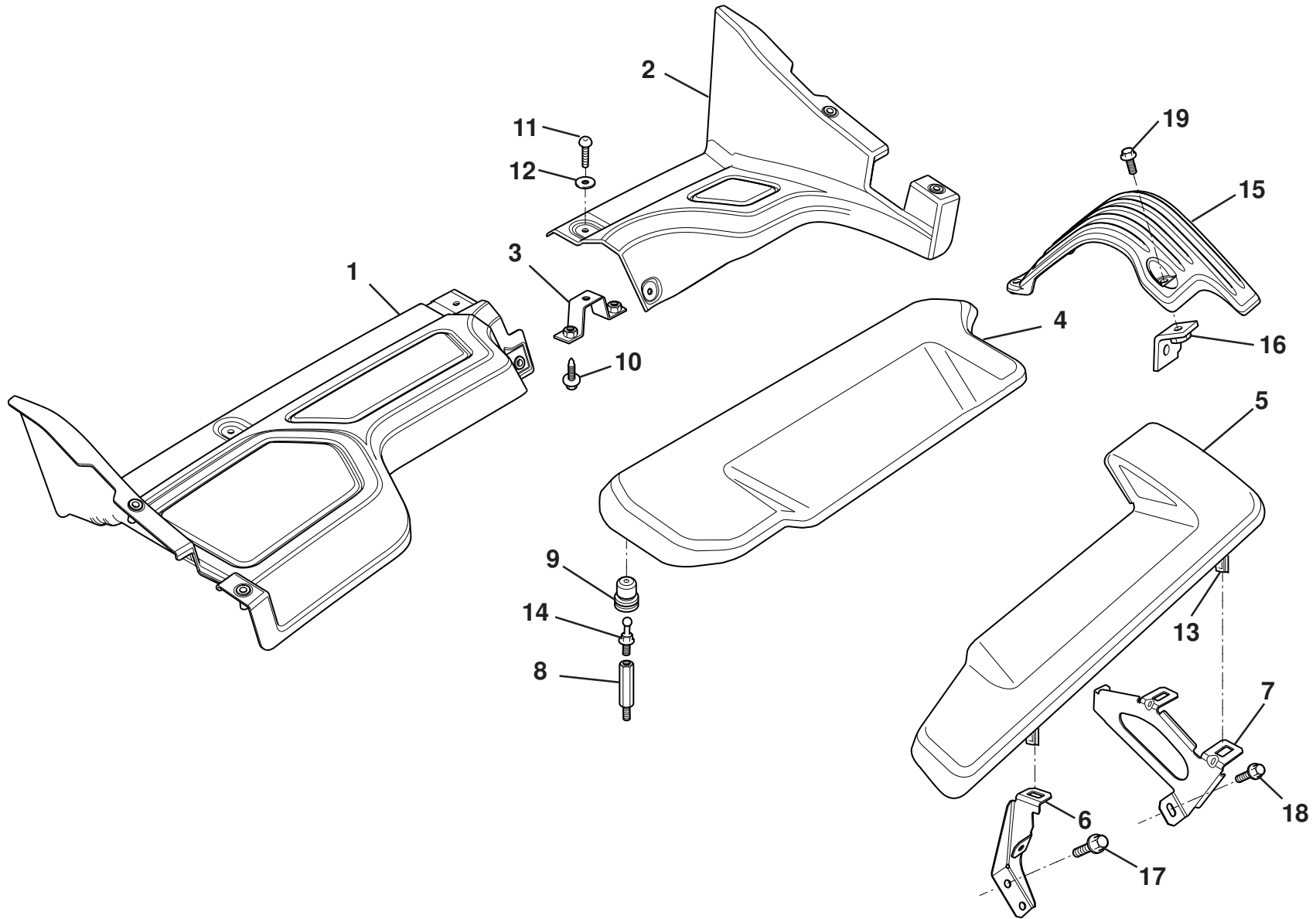
Function Code 10.11 Tailgate & Release Mechanism

<u>Dep</u>	<u>Part Description</u>	<u>Remarks</u>	<u>Option</u>	<u>Part Number</u>	<u>Qty</u>
18	Strut, tailgate		With Wing	A138B0165F	2
18a	Strut, tailgate		Without Wing	A138B0164F	2
19	Rubber Buffer			X046B6113Z	4
20	Screw, M6 x 25, hex. flg. hd., tailgate stop			A132W5014F	4
21	Nut, flg. M6, tailgate stop			A117W3180F	4
22	Washer, flat, M6 x 18 x 1, tailgate stop			B082W4018F	4
23	Bracket, release handle to chassis, LH			B122B0151F	1
23a	Bracket, release handle to chassis, RH			B122B0152F	1
24	Handle Assembly, tailgate release, LHD			A122B0251S	1
24a	Handle Assembly, tailgate release, RHD			A122B0252S	1
25	Striker Cover, bootbox			A138V0110F	1
26	Anti Tamper Bracket			B138B0228F	1
27	Solderless Nipple			A116W6762F	1
28	Washer M10 x 20.5 x 1.5			A075W4023F	1
29	Bush, cable retaining			A111U6049F	2
30	Screw M8 x 25 skt btn s/s			A111W7175F	2
31	Washer M8 x 25 x 1.5, s/s			B075W4021F	2
32	Spacer, slider			A138B0278F	2
33	Grommet, tailgate release cable			A138W6004F	2
34	Cover, release handle bracket, LHD			B122U0015F	1
34a	Cover, release handle bracket, RHD			B122U0016F	1



Function Code 10.11 Tailgate & Release Mechanism

<u>Dep</u>	<u>Part Description</u>	<u>Remarks</u>	<u>Option</u>	<u>Part Number</u>	<u>Qty</u>
35	Fir Tree			A116U0201F	1
36	Double Sided Tape			B075U6070V	1
37	Bracket, slider protection			A128U0027F	1



EXIGE

10.13

Updated 27th September 2012

Service Parts List

EXIGE



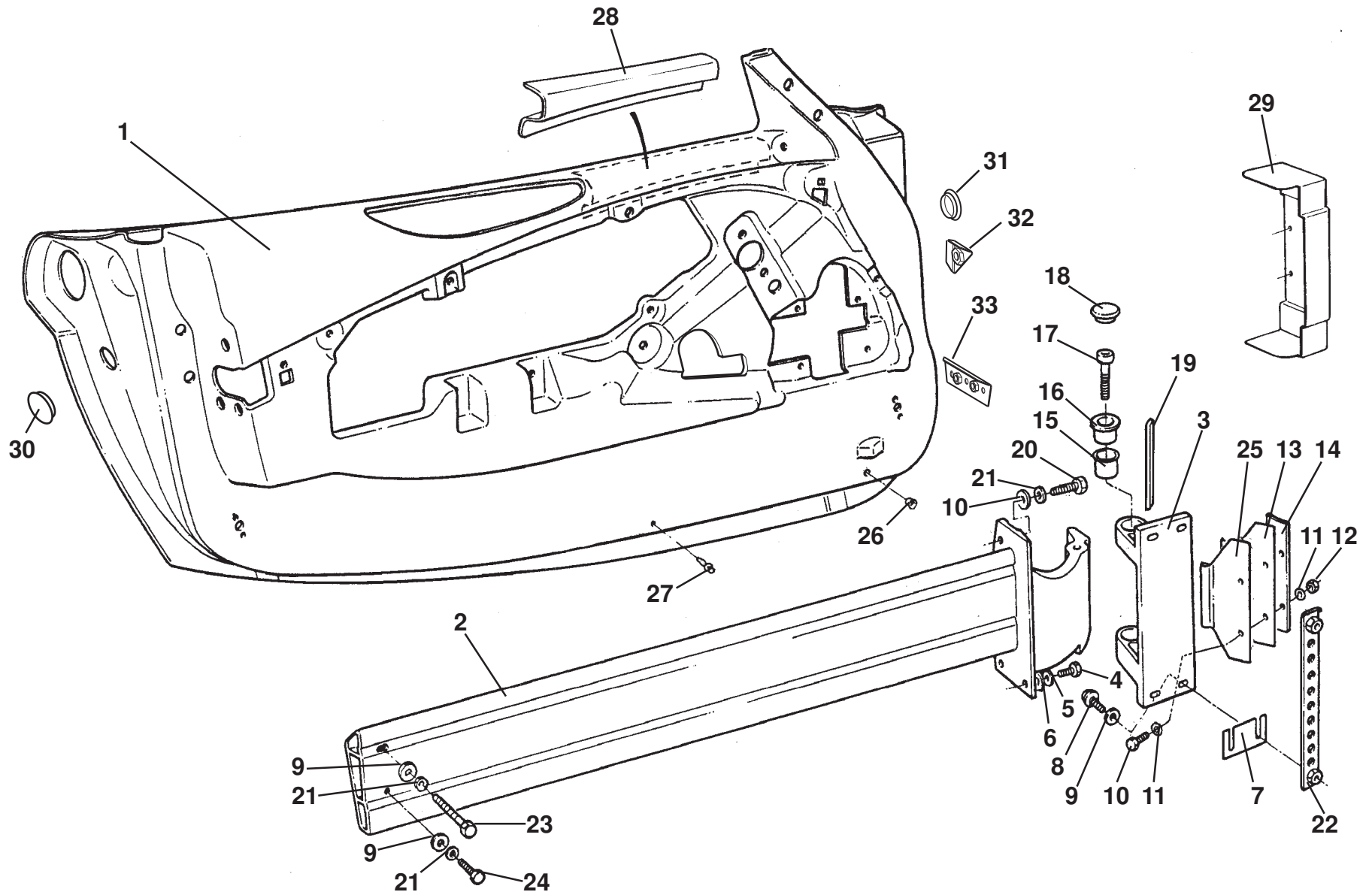
Function Code 10.13 Engine Compartment, Cover, Latch Mechanism

<u>Dep</u>	<u>Part Description</u>	<u>Remarks</u>	<u>Option</u>	<u>Part Number</u>	<u>Qty</u>
01	Engine bay panel Assembly, LH			A138B0140F	1
02	Engine bay panel Assembly, RH			A138B0141F	1
03	Bracket Assembly, engine bay panels			B138B0138F	2
04	Engine Cover Front			C138E0014F	1
05	Engine Cover Rear			C138E0015F	1
06	Engine Cover Bracket LH			B138E0017F	1
07	Engine Cover Bracket RH			B138E0018F	1
08	Stud Special M6, cam cover mounting			A138W6001F	2
09	Isolator, front cover mounting			B120B0291F	3
10	Screw M6 x 20 hex flg			A132W5004F	4
11	Screw, M6 x 20, dome hd., s/s black			A100W7096F	7
12	Washer M6 x 15 x 1.5 s/s black			A082W4133F	7
13	Tower Clip, engine cover			A132W6019F	3
14	Bolt, special, cover retention			A120E7232S	3
15	Supercharger Pulley Cover			A138E0022F	1
16	Bracket, supercharger pulley cover			A138E0023F	1
17	Screw M8 x 16 hex flg			A132W5013F	2
18	Screw M6 x 16 hex flg			A132W5003F	2

EXIGE

Function Code 10.13 Engine Compartment, Cover, Latch Mechanism

<u>Dep</u>	<u>Part Description</u>	<u>Remarks</u>	<u>Option</u>	<u>Part Number</u>	<u>Qty</u>
19	Screw M6 x 20 skt cap hd			A138W5007F	2



EXIGE

10.15

Updated 27th february 2013

Service Parts List

EXIGE



Function Code 10.15 Door Shells, Beams, Hinges

<u>Dep</u>	<u>Part Description</u>	<u>Remarks</u>	<u>Option</u>	<u>Part Number</u>	<u>Qty</u>
01	Door Shell, LH			A138B0192K	1
01a	Door Shell, RH			A138B0197K	1
02	Door Beam Assembly, LH			A138B4175F	1
02a	Door Beam Assembly, RH			A138B4176F	1
03	Hinge, chassis to door beam			A111U0055F	2
04	Setscrew, M6 x 20, hex. hd., beam to door fix.			A075W1030Z	4
05	Washer, shakeproof, M6			A075W4046Z	4
06	Washer, flat, M6 x 1.5			A075W4015Z	4
07	Shim, door hinge, 1.0mm			A111B0316F	As req
07a	Shim, door hinge, 1.25mm			A116B0388F	As req.
07b	Shim, door hinge, 1.5mm			A111B0317F	As req
07c	Shim, door hinge, 2.0mm			B111B0314F	As req.
08	Screw, M8 x 30, cap hd.			A089W7052F	8
09	Washer, flat, M8 x 16.6 x 1.4			A075W4020Z	18
10	Screw, M6 x M20, hex. hd.			A075W1030Z	4
11	Washer, flat, M6			A075W4013Z	8
12	Nut, M6, Nyloc			A075W3009Z	4
13	Spring Plate, door check	Fit follower, item 25 to plate		C111B0174F	2

EXIGE

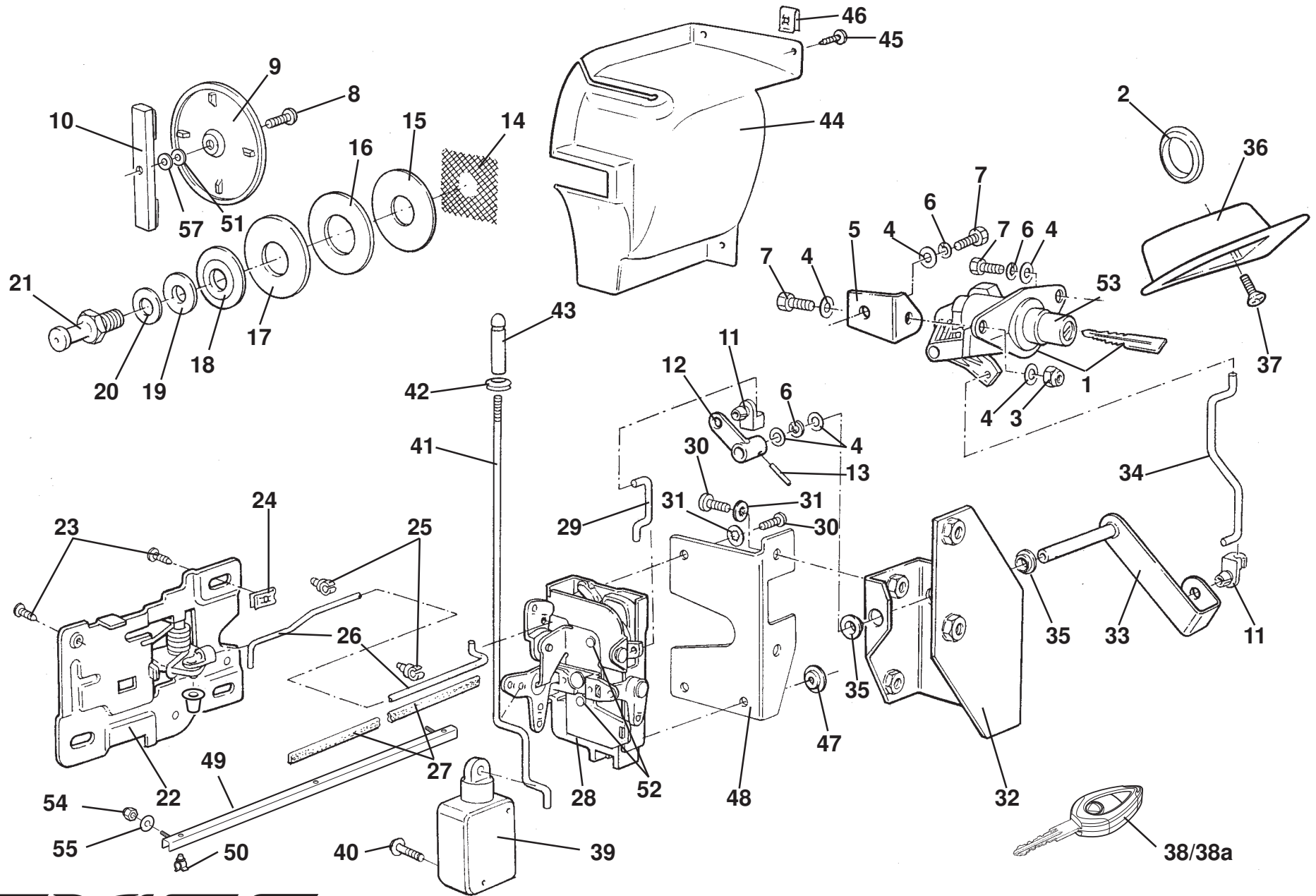
Function Code 10.15 Door Shells, Beams, Hinges

<u>Dep</u>	<u>Part Description</u>	<u>Remarks</u>	<u>Option</u>	<u>Part Number</u>	<u>Qty</u>
14	Support Plate, door check spring			C111B0175F	2
15	Bearing, door hinge			A111U6025F	4
16	Bush, door hinge			A111U0057F	4
17	Screw, M10 x 30, cap hd.			A075W7030F	4
18	Dust Cap, door hinge			A111U6024F	2
19	Door Stop Buffer Strip	Cut to fit, 135mm, 2 off		B111B0177V	As req.
20	Setscrew, M8 x 20, hex. hd., beam to door fix.			A075W1038Z	4
21	Washer, shakeproof, M8			A075W4048Z	10
22	Nutplate, door hinges	Fitted in chassis		A111U0056F	4
23	Bolt, M8 x 45, hex,hd.,beam to rear bracket, upper			A075W2040Z	2
24	Setscrew, M8 x 25, hex hd thin, beam to rear bracket, lower			A075W1081Z	2
25	Follower, door check spring	Fit to item 13		A116B0418F	2
26	Finisher Ring, door drainholes			A075P6064F	2
27	Bump Stop Scrivet			A116U0137F	2
28	Door Reinforcement, inner, LH	Bonded inside doorshell		A117B0663F	1
28a	Door Reinforcement, inner, RH	Bonded inside doorshell		A117B0664F	1
29	Cover, door hinge			A116B6006F	2
30	Blanking Grommet, door rear			A082B6057F	2
31	Blanking Grommet, 40mm, door front	Unused door harness hole	Non CDL cars	A116W6730F	2
32	Nutplate, door to beam, upper	Bonded inside doorshell		B111B0082K	2



Function Code 10.15 Door Shells, Beams, Hinges

<u>Dep</u>	<u>Part Description</u>	<u>Remarks</u>	<u>Option</u>	<u>Part Number</u>	<u>Qty</u>
33	Nutplate, door to beam, lower	Bonded inside doorshell		A111B0081K	2
34	Door Curtain, weather sealing	Not illustrated		A117U0152F	2



EXIGE

10.17

Updated 31st May 2013

Service Parts List

EXIGE



Function Code 10.17 Door Latch Mechanism

<u>Dep</u>	<u>Part Description</u>	<u>Remarks</u>	<u>Option</u>	<u>Part Number</u>	<u>Qty</u>
01	Vehicle Lock Set, door, boot, steering, fuel & 2 key blades	(L-code) Order fuel cap & transmitter fob (see section 17.33a)		A120H0006F	1
02	Blanking Grommet, linkage access hole			A082B6057F	2
03	Nyloc Nut, M6, support bracket fix.			A075W3009Z	2
04	Washer, flat, M6 x 12.1 x 1.4, support brkt fix			A075W4013Z	12
05	Support Bracket, release button, LH			A117U0001F	1
05a	Support Bracket, release button, RH			A117U0002F	1
06	Washer, wavy, 0.25", support brkt. fix.			A075W4087F	6
07	Setscrew, M6 x 16, support brkt. fix.			A075W1028Z	6
08	Screw, M5 x 10, pozi, cover plate fix			A111W5223F	2
09	Reflector/Cover			A117M6026F	2
10	Fixing Strap, cover plate			A111U0095F	2
11	Nylon Clip, linkage retention			A082U6267F	6
11a	Bush, nylon	Not illus., fits clip 11 into handle 22/22a see SB 2008/15		A120U6012F	2
12	Lever, door latch release			B111U0122F	2
13	Roll Pin, door latch lever to spindle retention			A111U6560F	2
14	Shim, expanded stainless, door striker attachment			A111U0215F	2
15	Shim, 2mm, door striker pin			A111U0220F	2

Function Code: 10.17, Page: 1

Updated 1st October 2013

Function Code 10.17 Door Latch Mechanism

<u>Dep</u>	<u>Part Description</u>	<u>Remarks</u>	<u>Option</u>	<u>Part Number</u>	<u>Qty</u>
16	Shim, 4mm, door striker pin			A111U0219F	2
17	Front Collar, door striker pin			A111U0138F	2
18	Finisher, door striker pin			A111U0137K	2
19	Washer, striker			A111U0136F	2
20	Washer, flat, M12 x 24 x 1.6, door striker pin			A075W4071F	2
21	Striker Pin, door latch			A111U6003F	2
22	Release, door latch, interior, LH	Includes handle		A111U6005F	1
22a	Release, door latch, interior, RH	Includes handle		A111U6004F	1
23	Screw, No. 8 x 3/4", pozi., door release fix.			A117W5274F	8
24	Spire Nut, No.8, captive, door release fix.			A075W6016Z	6
25	Plastic Clip, interior release rod guide			A075J6027Z	4
26	Rod, interior release to latch, LH	See SB 2008/15		B117U0137F	1
26a	Rod, interior release to latch, RH	See SB 2008/15		B117U0138F	1
27	Foam Strip, 19 x 3mm			A082U6067F	As req.
28	Latch mechanism, LH			A111U0389S	1
28a	Latch mechanism, RH			A111U0388S	1
29	Rod, latch to lever assy.			A111U0134F	2
30	Screw, M6 x 12, pozi., door latch/ bracket fix.			A111W5214F	10
31	Washer, shakeproof, M6, door latch fix.			A075W4046Z	6
32	Bracket, door beam attachment, LH			B116B0179F	1
32a	Bracket, door beam attachment, RH			B116B0180F	1

Function Code: 10.17, Page: 2

Updated 1st October 2013

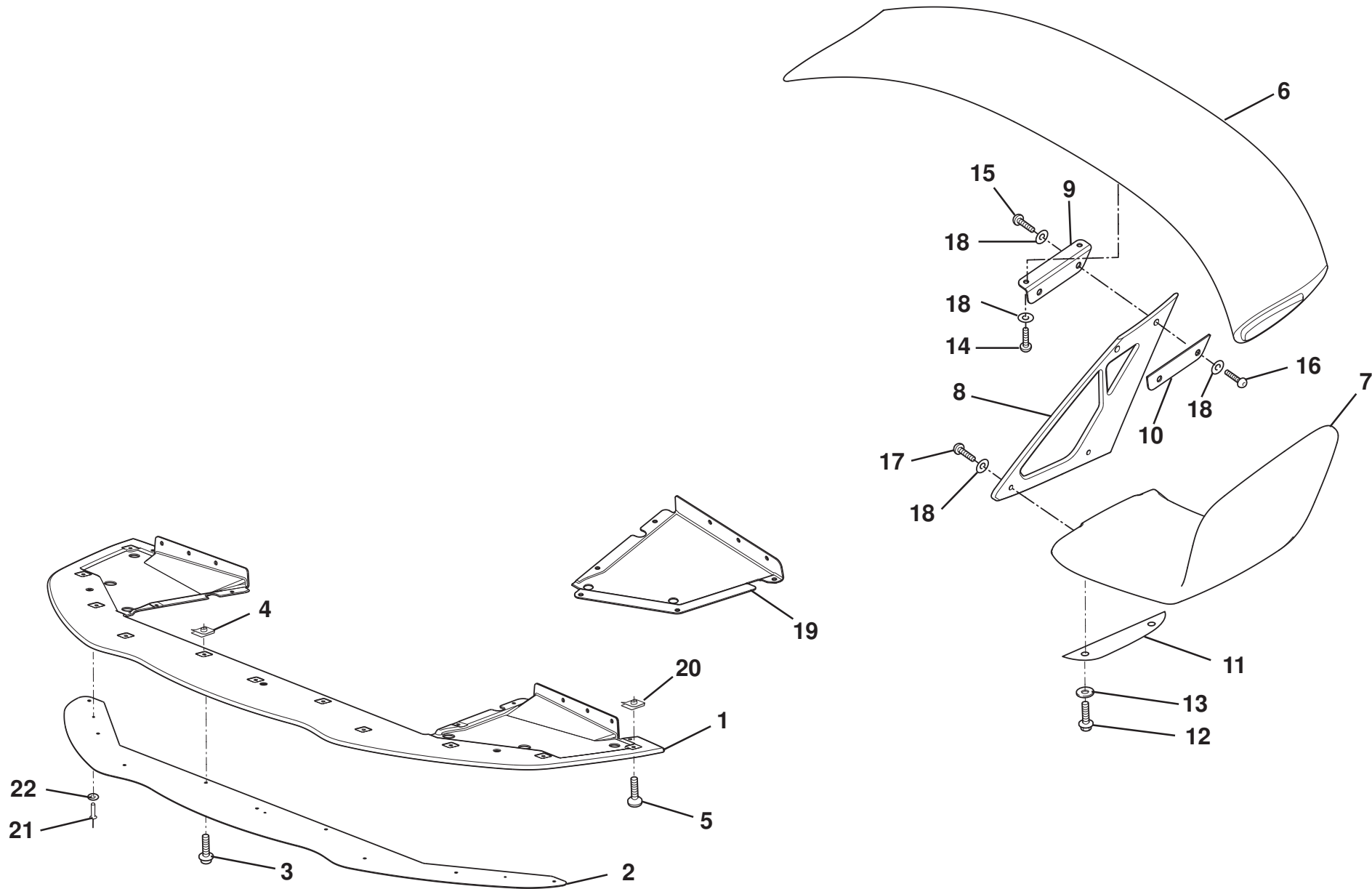
Function Code 10.17 Door Latch Mechanism

<u>Dep</u>	<u>Part Description</u>	<u>Remarks</u>	<u>Option</u>	<u>Part Number</u>	<u>Qty</u>
33	Spindle/Lever, door latch release, LH			A116U0035F	1
33a	Spindle/Lever, door latch release, RH			A116U0036F	1
34	Rod, latch to release button			A117U0003F	2
35	Bush, lever/spindle assy.			A111U6018F	4
36	Door Pull, exterior, LH			C117B0135F	1
36a	Door Pull, exterior, RH			C117B0136F	1
37	Screw, M4 x 16, csk, cap hd., exterior door pull fix.	Black dacromet finish		A117W7208F	4
38	Transmitter Fob	PFK alarm, see 17.33b, excludes blade		A120M0049F	2
38a	Key, uncut	PFK alarm, see 17.33b, excludes transmitter fob		A120H0008S	2
38b	Key, cut	PFK alarm, Order from Bolton Lock, excludes transmitter fob		A120H0009S	2
39	Actuator, central door locking			B116M6039F	2
40	Screw, No.8 x 3/4" flg. hd. pozi. CDL Actuator to door	Black finish		A075W5074Z	4
41	Rod, CDL to sill button			A117U0329F	2
42	Grommet, button through sill			X036L6004Z	2
43	Button, door locking			A117U0330F	2
44	Cover, door latch, LH	Latch security		A117U0425F	1
44a	Cover, door latch, RH	Latch security		A117U0426F	1
45	Screw, No. 8 x 0.75", flg. hd. pozi., cover to door			A075W5074Z	6
46	Spirenut, No. 8, cover to door			A075W6016Z	6

Function Code 10.17 Door Latch Mechanism

<u>Dep</u>	<u>Part Description</u>	<u>Remarks</u>	<u>Option</u>	<u>Part Number</u>	<u>Qty</u>
47	Washer, top hat, latch to door	Bonded to door, outer fixings only		A117W4192K	2
48	Bracket, latch mounting, LH	Bonded to inner door		A116B0247F	1
48a	Bracket, latch mounting, RH	Bonded to inner door		A116B0248F	1
49	Cover, door release rod, LH			A117U0321F	1
49a	Cover, door release rod, RH			A117U0320F	1
50	Clip, release rod to cover			A082W6457F	6
51	Washer, ABS, reflector to door			A116B0978K	2
52	Rivet, door release lever pivot			A117H6006S	4
53	Sleeve, door release button			A117H6005S	2
54	Nut M5			A100W3113F	4
55	Washer M5			A075W4011F	4
56	Lock Lubricant			A117U6019S	25ml
57	Washer M5 Neoprene, reflector to door			A082W4115F	2

NOTE: For full information on all
Lotus Security Sytems, see
LSL483e



EXIGE

10.23

Updated 27th february 2013

Service Parts List

EXIGE



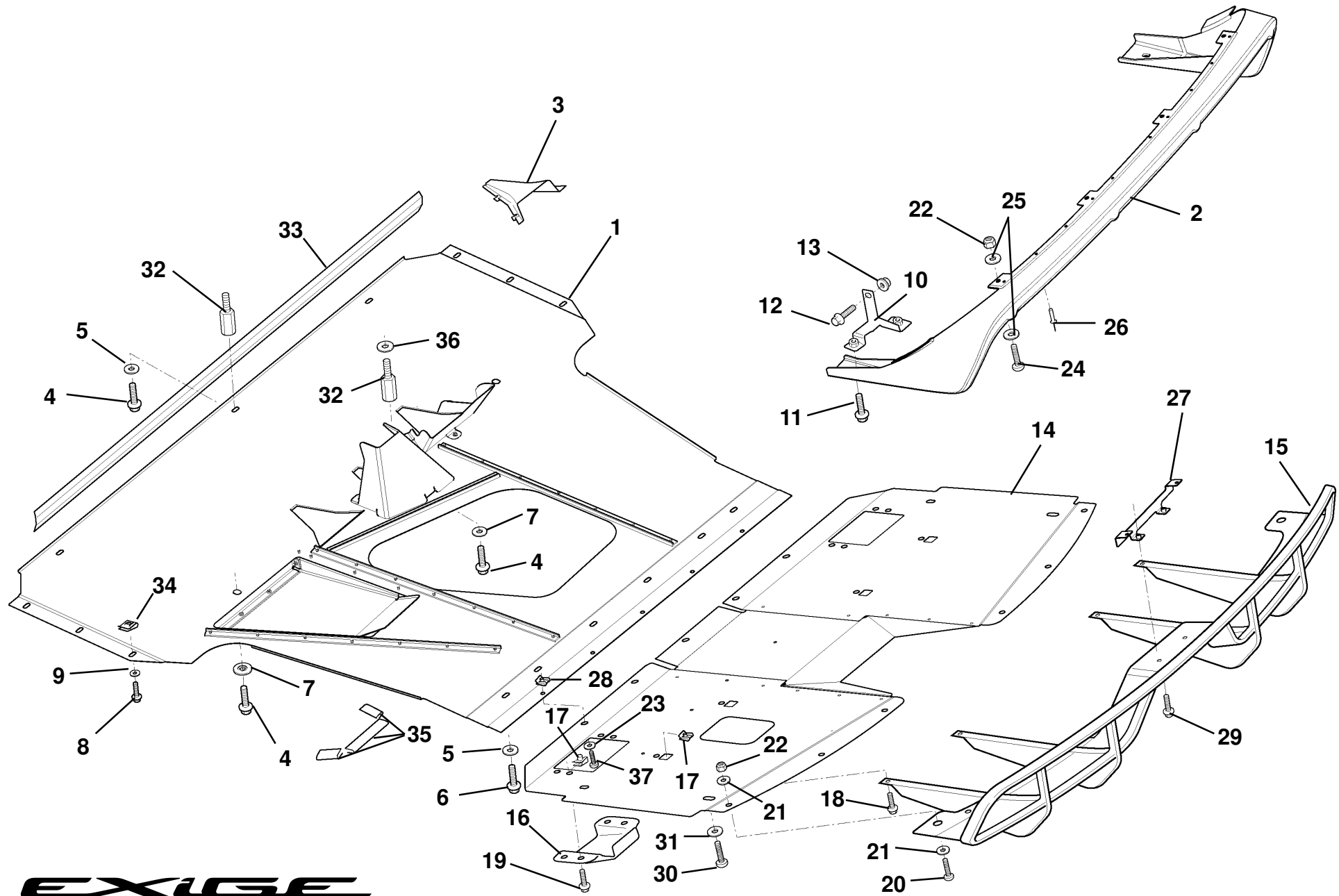
Function Code 10.23 Bumpers, Valences Spoilers & Aerofoils

<u>Dep</u>	<u>Part Description</u>	<u>Remarks</u>	<u>Option</u>	<u>Part Number</u>	<u>Qty</u>
01	Splitter Front flexible			A138B0214F	1
02	Reinforcement Plate, splitter front			A138B0215F	1
03	Screw M5 x18 skt hd flg			A138W5001F	9
04	Nut Speed Fix M5			B100W6372F	9
05	Screw M6 x16 csk cap hd			A082W7180F	8
06	Wing Chord, painted			A138B0104K	1
07	Cap Rear Wing LH primed			A138B4135K	1
07a	Cap Rear Wing RH primed			A138B4136K	1
08	Upright Rear Wing			B138B0137F	2
09	Bracket, wing to upright LH			B138B4109F	1
09a	Bracket, wing to upright RH			B138B4110F	1
10	Plate Rear Wing			B138B0087F	2
11	Gasket, rear wing			A138B0166F	2
12	Screw M8 x 20 hex flg, upright to tailgate			A120W5278F	4
13	Washer M8 x 21 x 1.6 s/s blk upright to tailgate	Forward fixings only		A111W4159F	2
14	Screw M6 x 8 btn hd bracket to wing			A138W5006F	4
15	Barrel Nut M6 x 12 btn hd			A138W3004F	4
16	Screw M6 x 8 btn hd			A138W5006F	4

EXIGE

Function Code 10.23 Bumpers, Valences Spoilers & Aerofoils

<u>Dep</u>	<u>Part Description</u>	<u>Remarks</u>	<u>Option</u>	<u>Part Number</u>	<u>Qty</u>
17	Screw M6 x 16 torx pan hd			A117W2213F	4
18	Decorative Washer M6 s/s			A138B0112F	16
19	Panel Undertray Flat LH			A138B4137F	1
19a	Panel Undertray Flat RH			A138B4138F	1
20	Nut Captive M6			A117W6715F	8
21	Rivet Pop			A075W6068Z	2
22	Washer Flat 3/16 x 1/2 x 16g			A075W4000Z	2



EXIGE

10.25

Updated 1st September 2013

Service Parts List

EXIGE



Function Code 10.25 Undertray & Diffuser

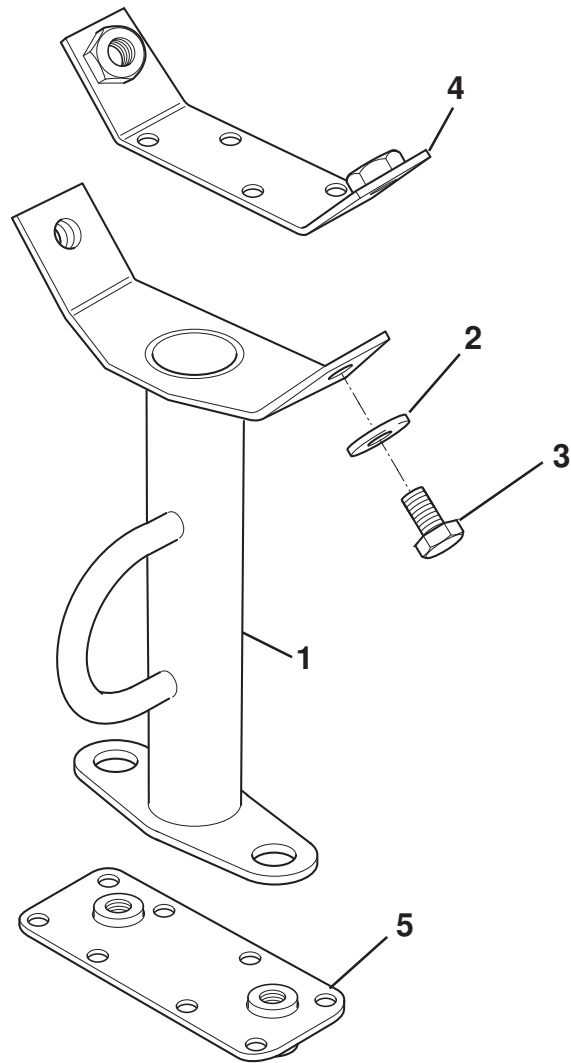
<u>Dep</u>	<u>Part Description</u>	<u>Remarks</u>	<u>Option</u>	<u>Part Number</u>	<u>Qty</u>
01	Undertray Panel Assembly, rear			C138U0002J	1
02	Diffuser Finisher	without reversing sensors holes		A132U0616K	1
02a	Diffuser Finisher	with reversing sensors holes		A132U0639F	1
03	Naca Duct			A132U0167F	3
04	Screw M8 x 14 hex flg hd			A132W5012F	6
05	Washer Flat M8 x 20 x 2.5 s/s			A079W4019F	9
06	Screw M8 x 20 hex flg			A132W5005F	6
07	Spacer, rear diffuser			A132W4002F	3
08	Screw M5 x 12 hex flg hd			A132W5002F	6
09	Washer Flat M5 x 25 x 1.5			A082W4098F	6
10	Bracket Assembly rear diffuser mounting LH			A138U4001F	1
10a	Bracket Assembly rear diffuser mounting RH			A138U4002F	1
11	Screw M8 x 20 hex flg			A132W5005F	4
12	Screw M6 x 16 hex flg			A132W5003F	2
13	Nut M6 hex flg			A117W3180F	2
14	Diffuser Panel Assembly rear			B132U0629J	1
15	Diffuser Grille Surround Assembly			A132U0626F	1
16	Duct, rear diffuser rear			A132U0904F	2

EXIGE

Function Code 10.25 Undertray & Diffuser

<u>Dep</u>	<u>Part Description</u>	<u>Remarks</u>	<u>Option</u>	<u>Part Number</u>	<u>Qty</u>
17	Speed Nut M6			A117W6715F	12
18	Screw M6 x 20 hex flg			A132W5004F	4
19	Screw M6 x 16 hex flg			A918W5208F	8
20	Screw M6 x 16 skt btn hd			A122W5282F	6
21	Washer M6 x 15 x 1.5 s/s blk			A082W4133F	12
22	Nut Nyloc M6 thin			A907E6285F	6
23	Washer M5 x 25 x 1.4			A082W4098F	5
24	Screw M6 x 20 skt btn hd			A100W7096F	4
25	Washer M6 x 15 x 1.5			A082W4133F	8
26	Rivet			A132A6022H	6
27	Bracket, central diffuser mounting			B138B0159F	1
28	Speed Nut, M5			B100W6372F	5
29	Screw M5 x 16 hex flg			A132W5003F	2
30	Screw M8 x 20 skt btn hd			A075W7022F	11
31	Washer M8 x 25 x 1.5			A075W4021F	11
32	Threaded Adaptor			A120A0183F	3
33	Foam, self adhesive			A100B0431F	1
34	Speed Nut, M5, undertray fixing			B100W6372F	6
35	Edge Finisher	1 x 105mm 2 x 40mm		A117B6010V	As req.
36	Washer M8 x 16 x 1.4			A127W4000F	4
37	Screw M5 x 16 btn hd			A111W7156F	5



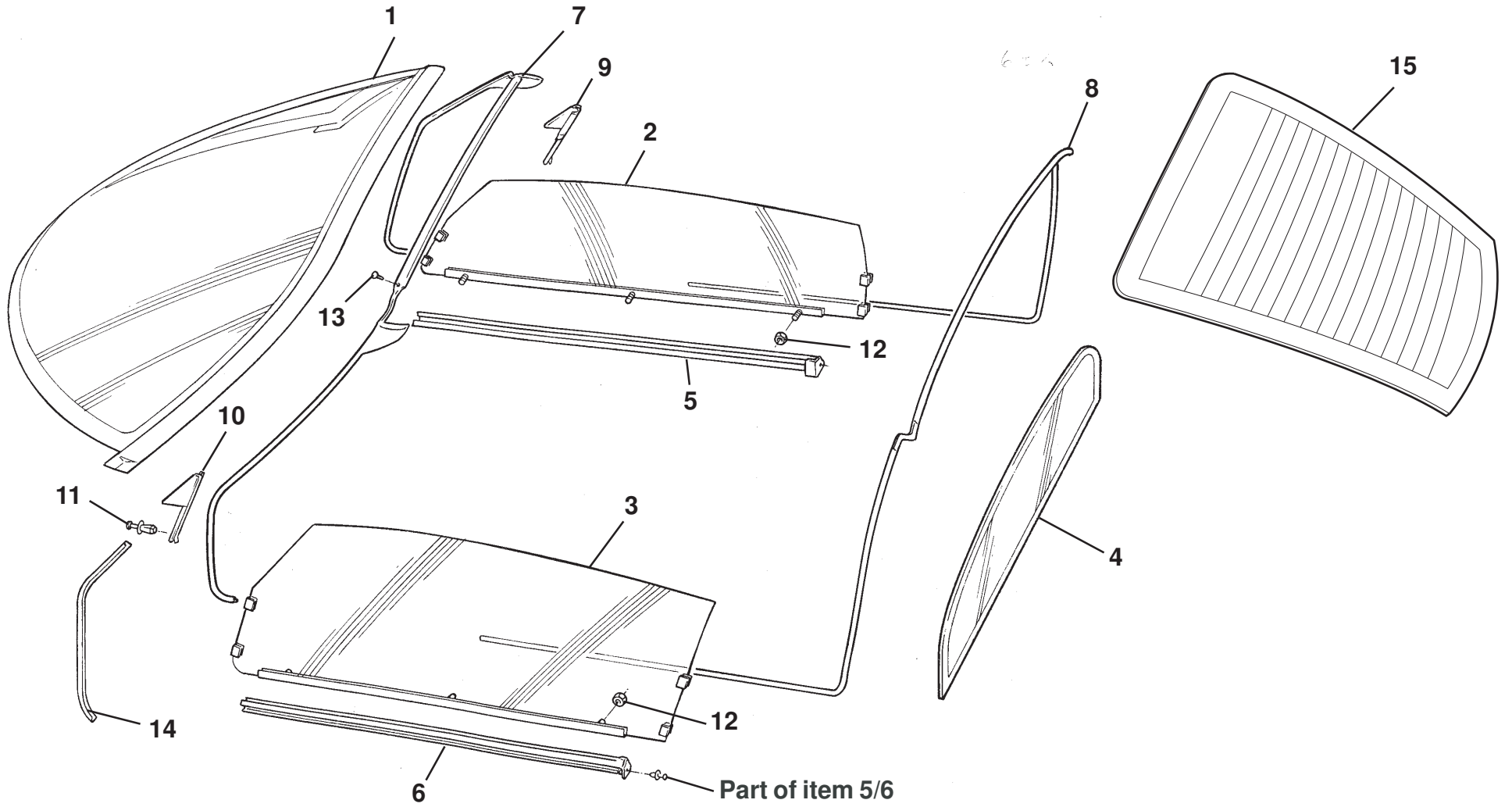


EXIGE

10.31

Function Code 10.31 Towing Strut/ Hook

<u>Dep</u>	<u>Part Description</u>	<u>Remarks</u>	<u>Option</u>	<u>Part Number</u>	<u>Qty</u>
01	Assembly Towing Front			A138U0010F	1
02	Setscrew M8 x 25 hex			A120W1000F	4
03	Washer M8 x 21 x 1.6 s/s blk			A111W4159F	4
04	Nutplate, bonded, upper towing strut	Bonded to crash structure		A120B0203F	1
05	Nutplate, bonded, lower towing strut	Bonded to crash structure		A121B0102F	1



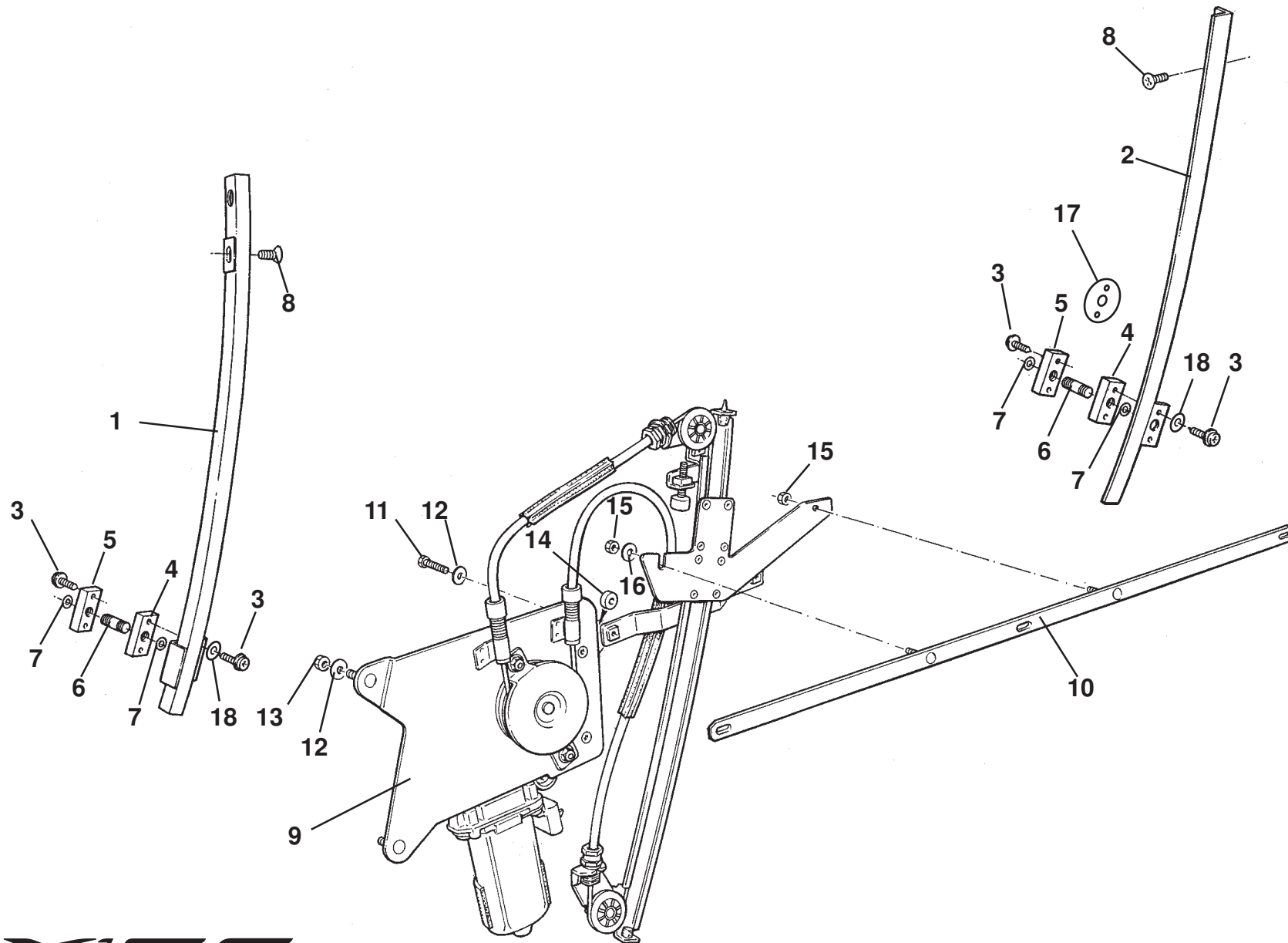
EXIGE

11.01

Updated 24th January 2013

Function Code 11.01 Windscreen, Door Glass, Seals & Weather Strips

<u>Dep</u>	<u>Part Description</u>	<u>Remarks</u>	<u>Option</u>	<u>Part Number</u>	<u>Qty</u>
01	Windscreen & Finisher Assembly			A117B0094F	1
01a	Windscreen & Finisher Assembly, solar	No green tinted band	Option	A128B0156F	1
02	Door Glass Assembly, RH			F116B0186F	1
03	Door Glass Assembly, LH			F116B0185F	1
04	Rear Window, glass	Bonded to bulkhead		A117B0138F	1
05	Seal Assembly, door waist, RH	Includes plastic fastener		B117U0010F	1
06	Seal Assembly, door waist, LH	Includes plastic fastener		B117U0009F	1
07	Door Front/Roof Seal Assembly			A116V0273F	1
08	Door Rear/Roof Seal Assembly			A116V0098F	1
09	Door Cheater Seal, RH			B117U0134F	1
10	Door Cheater Seal, LH			B117U0133F	1
11	Plastic Fastener, cheater seal fix.			A079W6195F	2
12	Nyloc Nut, M6, glass to lift channel			A907E6285F	6
13	Plastic Fastener, header seal fix.			A116W6722F	2
14	Secondary Door Seal, 600mm, front	Front inside face of door		A117U0429V	2
15	Glass Tailgate			A138B0024F	1
16	Loctite 382 Adhesive, cheater/waist seals to door	Not illustrated		A111B6098V	20gm



EXIGE

11.02

Updated 4th April 2013

Service Parts List

EXIGE



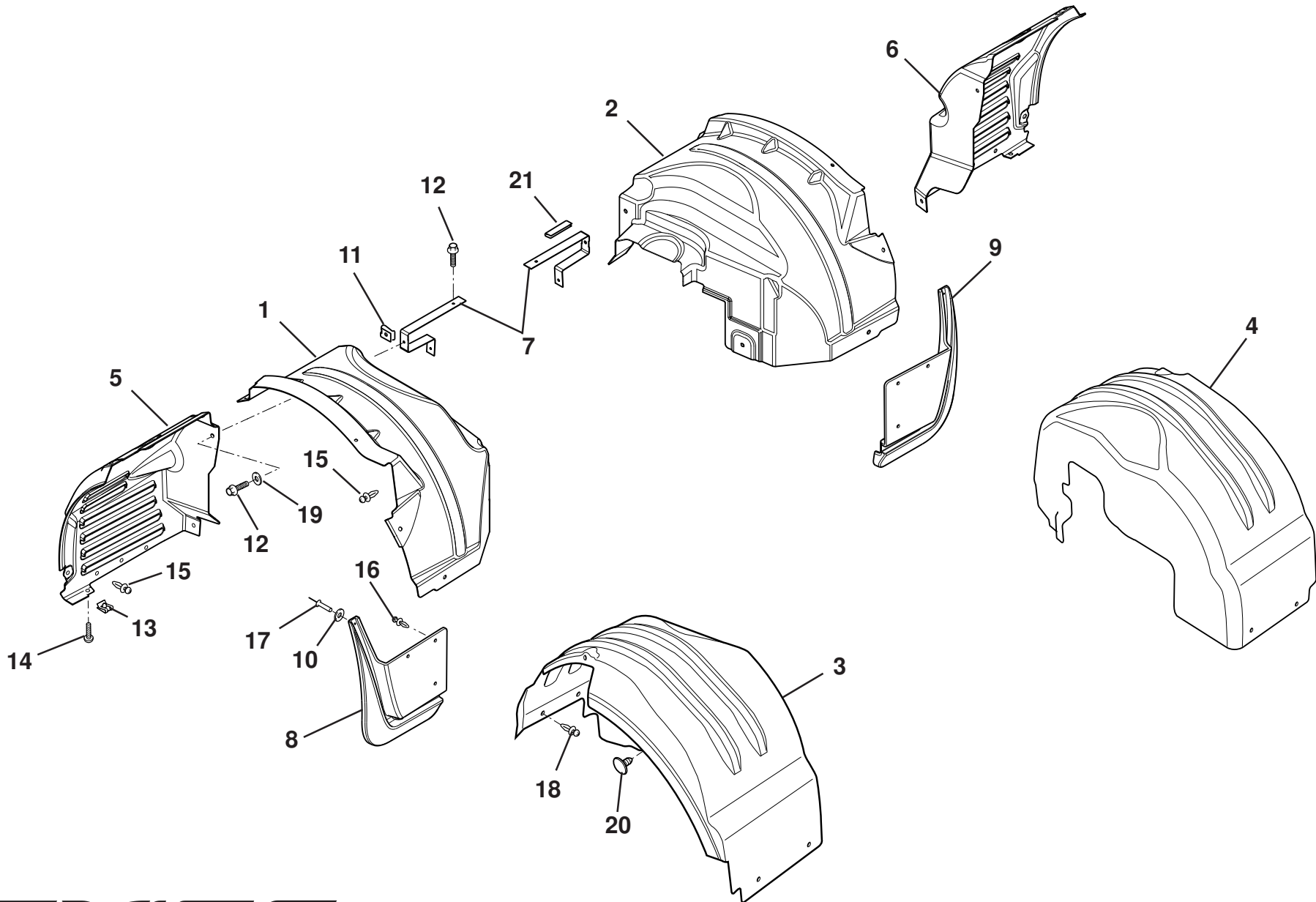
Function Code 11.02 Door Window Lift Mechanism

<u>Dep</u>	<u>Part Description</u>	<u>Remarks</u>	<u>Option</u>	<u>Part Number</u>	<u>Qty</u>
01	Guide Rail, door glass, front, LH			C116U0007F	1
01a	Guide Rail, door glass, front, RH			C116U0006F	1
02	Guide Rail, door glass, rear, RH			D116U0004F	1
02a	Guide Rail, door glass, rear, LH			D116U0005F	1
03	Screw, No,8 x 0.75", flg. pozi, hd., block fixing			A075W5074Z	16
04	Adjuster Block, guide rail LH thread			A116U0020F	4
05	Adjuster Block, guide rail RH thread			A116U0021F	4
06	Stud, rail adjusting			A116U0022F	4
07	'O' Ring			A116U0023F	8
08	Screw, M5 x 12, csk. cap hd., rail to door	Black dacromet finish		A117W7207F	4
09	Window Lift Mechanism, electric, LH			B117U0389F	1
09a	Window Lift Mechanism, electric, RH			B117U0390F	1
10	Studplate Adaptor, mechanism to glass			B117U0391H	2
11	Screw, M6 x 20, hex. hd., mechanism to door			A075W1030Z	6
12	Washer, flat, M6 x 15 x 1.5, mechanism to door			A075W4015Z	10
13	Nyloc Nut, M6, thin, motor to door			A907E6285F	4
14	Spacer, 4mm, lift channel to door			A117W4194F	6
15	Nyloc Nut, M6, thin, studplate to mechanism			A907E6285F	4

EXIGE

Function Code 11.02 Door Window Lift Mechanism

<u>Dep</u>	<u>Part Description</u>	<u>Remarks</u>	<u>Option</u>	<u>Part Number</u>	<u>Qty</u>
16	Washer, flat, M6 x 15 x 1.5, studplate to mechanism			A075W4015Z	2
17	Plate, adjuster block to door rear			A116B0437F	2
18	Washer, flat,,M6 x 20 x 2.5			A075W4016F	2
19	Downstop, door glass	Not illustrated, bonded to door		A116B0314F	2
20	Tape, self adhesive, downstop to door	Not illustrated		A100B6142V	0.25M



EXIGE

12.01

Updated 27th february 2013

Service Parts List

EXIGE



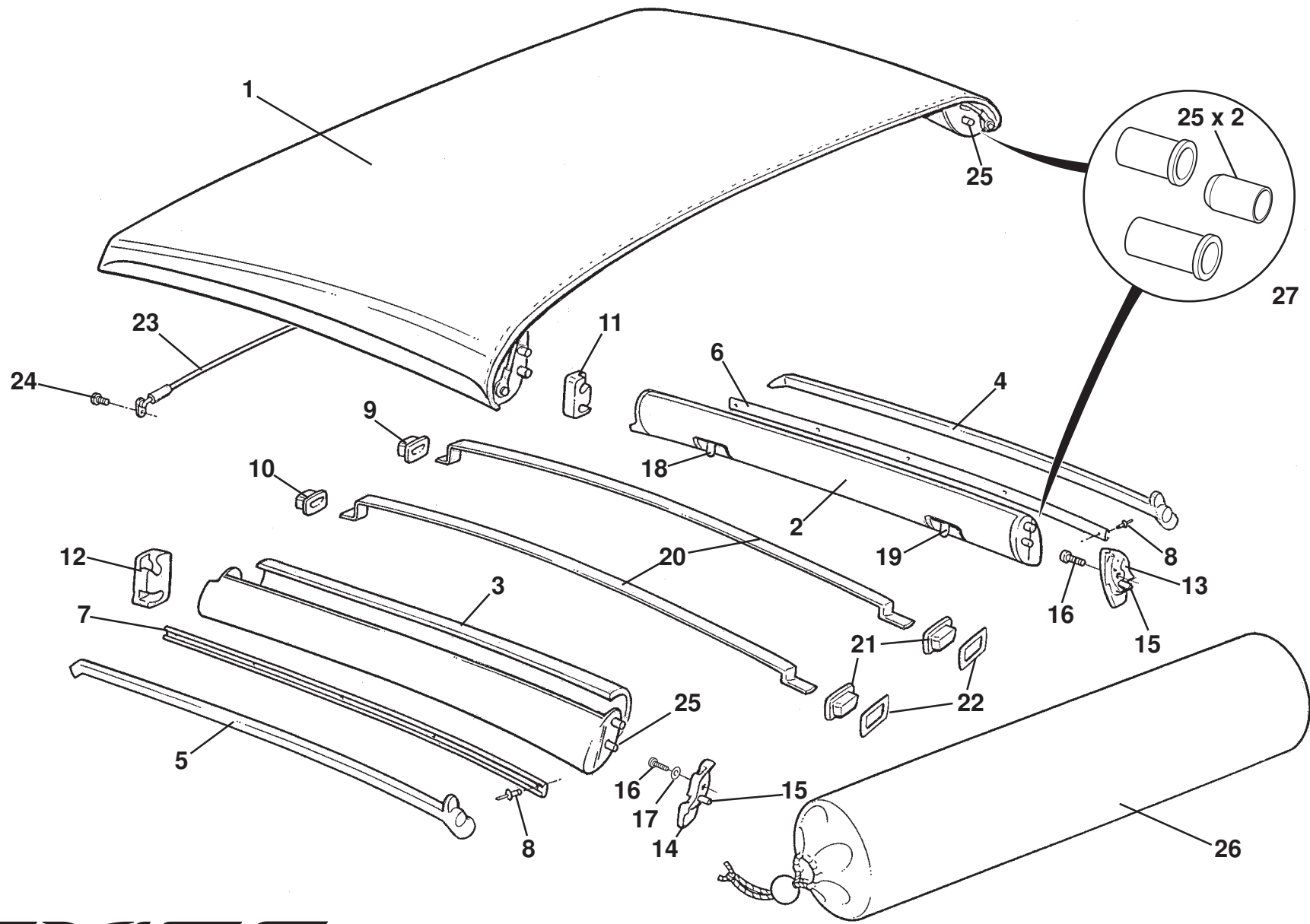
Function Code 12.01 Wheelarch Liners

<u>Dep</u>	<u>Part Description</u>	<u>Remarks</u>	<u>Option</u>	<u>Part Number</u>	<u>Qty</u>
01	Panel Front Wheelarch Liner LH			A138B4015F	1
02	Panel Front Wheelarch Liner RH			A138B4016F	1
03	Panel Rear Wheelarch Liner LH			A138B4019F	1
04	Panel Rear Wheelarch Liner RH			A138B4020F	1
05	Panel Headlamp Access LH			A138B4017F	1
06	Panel Headlamp Access RH			A138B4018F	1
07	Support Bracket, front wheel arch liner support			A138B0096F	2
08	Mud Guard LH			A138B4043F	1
09	Mud Guard RH			A138B4044F	1
10	Cup Washer, black. mud guard			A082W6482F	4
11	Speed Nut M6, front wheelarch liner			A130W6813F	2
12	Screw M6 x 16 hex flg, front wheelarch liner/bracket			A132W5003F	6
13	Speed Nut M5, front wheelarch liner			B100W6372F	2
14	Screw M5 x 18 skt btn s/s, front wheelarch liner			A138W5001F	2
15	Scrivet, front wheelarch liner/headlamp acces panel			A120W6848F	20
16	Scrivet, mud guard			A120W6848F	8
17	Rivet, mud guard			A075W6092Z	4
18	Scrivet, rear wheelarch liner			A120W6848F	8

EXIGE

Function Code 12.01 Wheelarch Liners

<u>Dep</u>	<u>Part Description</u>	<u>Remarks</u>	<u>Option</u>	<u>Part Number</u>	<u>Qty</u>
19	Washer M6 x 25 x 1.4 s/s black			A082W4131F	2
20	Fixing Fir Tree, rear wheelarch liner			A116U0201F	2
21	Edge Finisher			A117B6010V	1



EXIGE

12.02

Service Parts List

EXIGE



Function Code 12.02 Soft Top Roof, Cant Rails, Roof Bows

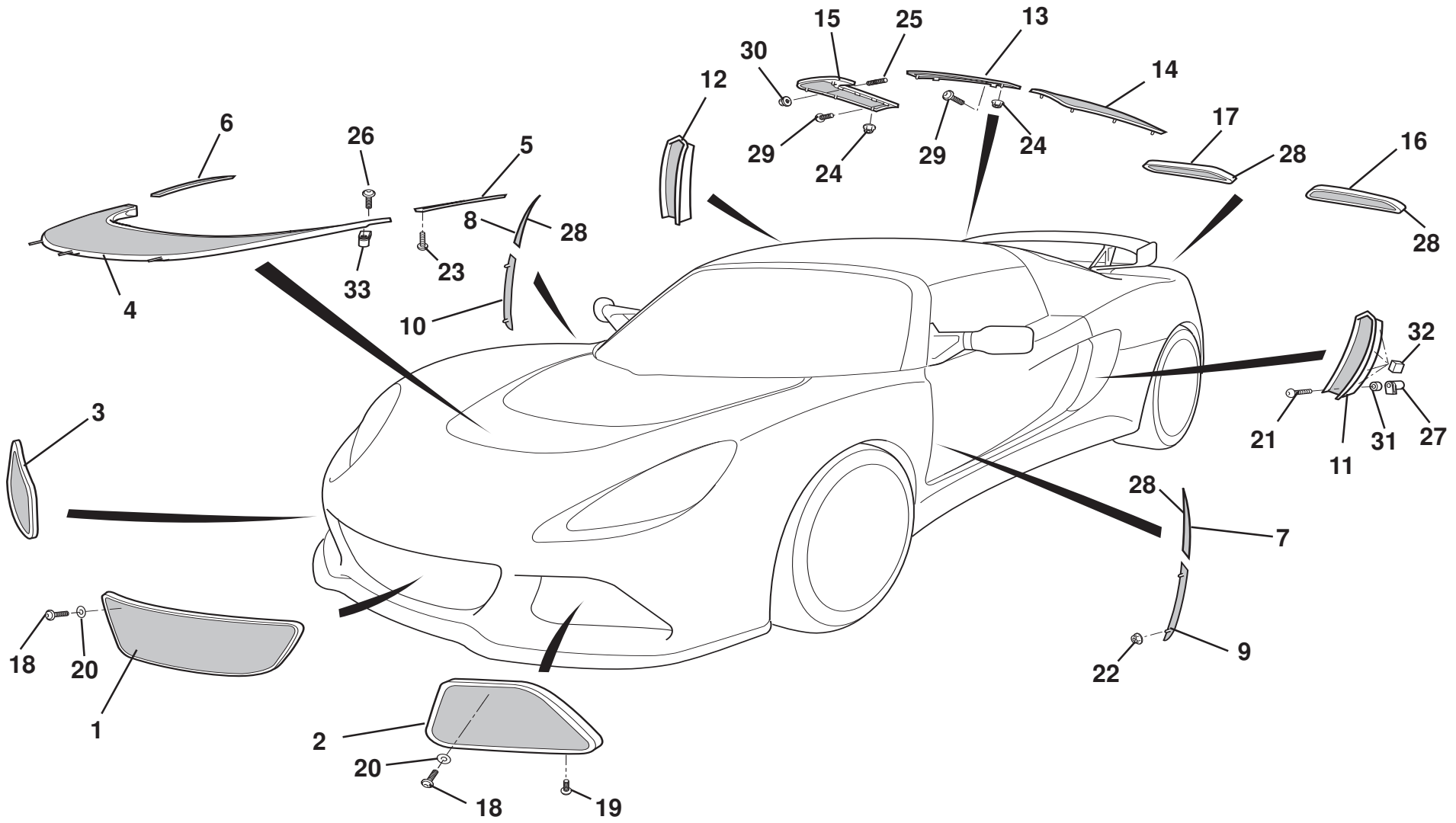
<u>Dep</u>	<u>Part Description</u>	<u>Remarks</u>	<u>Option</u>	<u>Part Number</u>	<u>Qty</u>
01	Soft Top Roof Assembly, lined			A138B0241F	1
02	Trim Panel, cant rail, RH	3 off-set 'fir tree' fixings on panel		D116V0004H	1
03	Trim Panel, cant rail, LH	3 off-set 'fir tree' fixings on panel		D116V0003H	1
04	Weatherseal, RH			A116V0092H	1
05	Weatherseal, LH			A116V0091H	1
06	Seal Carrier, RH			B116V0088F	1
07	Seal Carrier, LH			B116V0089F	1
08	Pop Rivet, seal carrier to cant rail			A116V0090H	12
09	Pocket, stay to header rail, RH	Bonded to windscreen frame		A116B0184F	1
10	Pocket, stay to header rail, LH	Bonded to windscreen frame		A116B0183F	1
11	Latch Plate, front, RH	Bonded to windscreen frame		A116B0002F	1
12	Latch Plate, front, LH	Bonded to windscreen frame		A116B0001F	1
13	Latch Plate, with tongue, rear, RH	Also fixing for hard top		C116B0466F	1
14	Latch Plate, with tongue, rear, LH	Also fixing for hard top		C116B0467F	1
15	Dowel Pin, plate to roll-over bar			A116W6659F	2
16	Screw, M6 x 20, cap hd., black, latch plate to roll-over bar			A082W7041F	2
17	Washer, wavy, 1/4", latch plate to roll-over bar			A075W4087F	2
18	Latch Assembly, front, RH			B117B0154H	1

EXIGE

Function Code 12.02 Soft Top Roof, Cant Rails, Roof Bows

<u>Dep</u>	<u>Part Description</u>	<u>Remarks</u>	<u>Option</u>	<u>Part Number</u>	<u>Qty</u>
18a	Latch Assembly, front, LH			B117B0155H	1
19	Latch Assembly, rear, RH			B117B0156H	1
19a	Latch Assembly, rear, LH			B117B0157H	1
20	Stay, soft top supporting			B116V0095H	2
21	Pocket, stay to rear window shroud			A116B0182F	2
22	Spacer, pocket to shroud		If fitted	B117B0480K	2
23	Cable, soft top tensioning, front		Side adjusting	A138U0026H	1
23a	Cable, soft top tensioning, rear		Centre adjusting	C116V0064H	1
24	Screw, cables to soft to assy.			A111W7150F	4
25	End Cap, latching pin	See item 27		A116V0150H	4
26	Soft Top Stowage Bag			A120V0314H	1
27	End Cap Kit (per side)	Includes item 25, set supplied per side		A120B0470S	2
28	Soft Top Care Kit, hood cleaner & hood protector	Not illustrated		A117U6021S	2 x 500ml





EXIGE
12.03

Updated 31st May 2013

Service Parts List

EXIGE



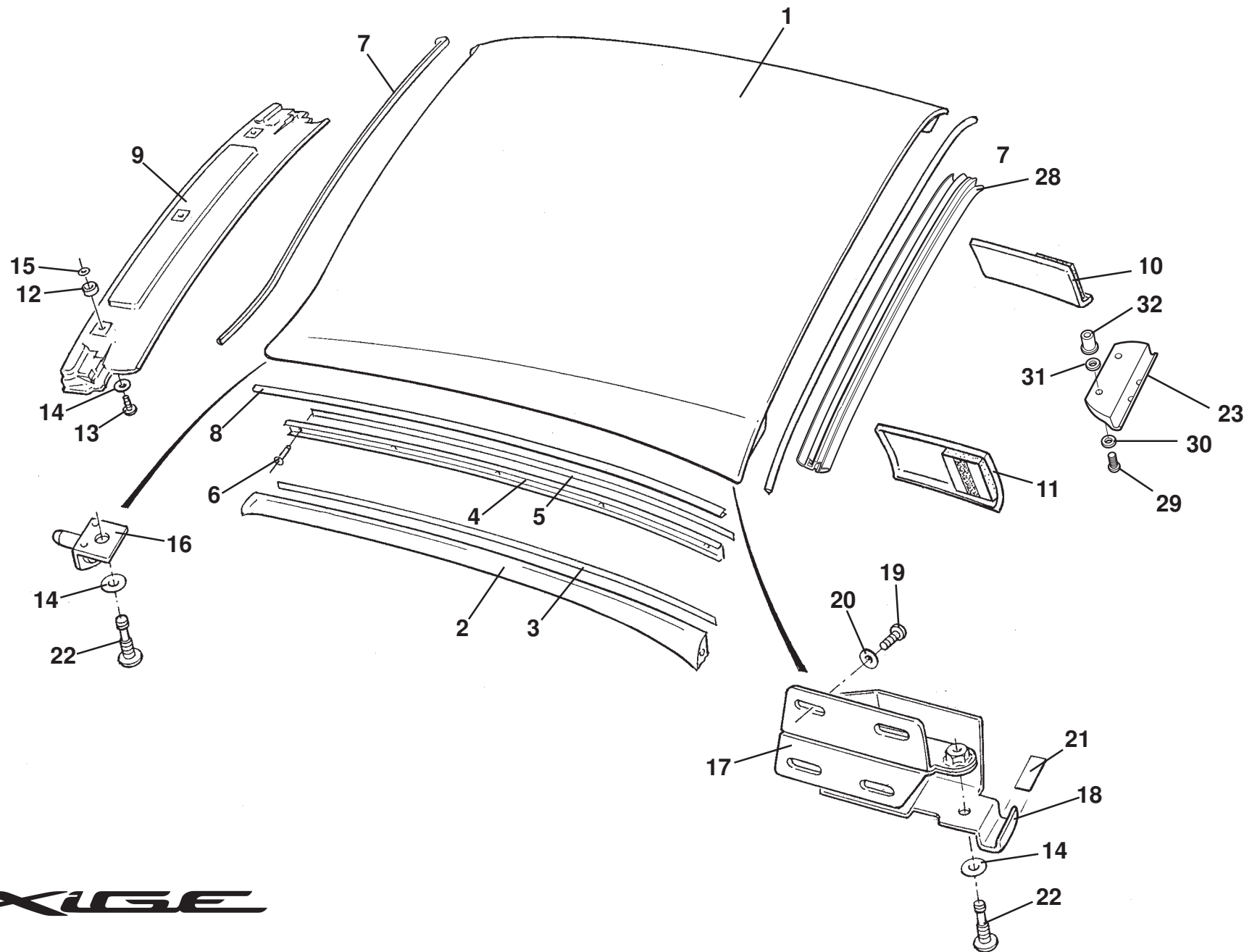
Function Code 12.03 Grilles and Louvres

<u>Dep</u>	<u>Part Description</u>	<u>Remarks</u>	<u>Option</u>	<u>Part Number</u>	<u>Qty</u>
01	Grille Front Centre Intake			A138B0011F	1
02	Grille Side intake Front LH			A138B4025F	1
03	Grille Side intake Front RH			A138B4026F	1
04	Grille Outlet			A138B0010F	1
05	Grille Outlet LH			A138B4087F	1
06	Grille Outlet RH			A138B4088F	1
07	Grille 'A' Panel Upper LH			A138B4027F	1
08	Grille 'A' Panel Upper RH			A138B4028F	1
09	Grille 'A' Panel Lower LH			A138B4111F	1
10	Grille 'A' Panel Lower RH			A138B4112F	1
11	Grille Side Intake LH			A138B4055F	1
12	Grille Side Intake RH			A138B4056F	1
13	Grille Tailgate Centre			A138B0031F	1
14	Grille Tailgate LH			A138B4039F	1
15	Grille Tailgate RH			A138B4040F	1
16	Grille Transom LH			A138B4089F	1
17	Grille Transom LH			A138B4090F	1
18	Screw M5 x 18 skt btn flg blk, grille side			A138W5001F	10

EXIGE

Function Code 12.03 Grilles and Louvres

<u>Dep</u>	<u>Part Description</u>	<u>Remarks</u>	<u>Option</u>	<u>Part Number</u>	<u>Qty</u>
19	Screw 50 x 10 torx flg s/s, grille front side			A138W5000F	4
20	Washer M6, grille frt ctr, side			A120B0310F	10
21	Screw M5 x 18, grill side intake			A117W5277F	4
22	Nut, self threading			A121W3185F	4
23	Screw no.8 x 3/8 pan pozi, grille outlet LH, RH			A082W5187F	8
24	Nut, self threading, tailgate grilles			A121W3185F	10
25	Grub Screw M5 x 35 skt btn blk, tailgate grilles			A138W1001F	6
26	Screw 50 x 25 torx flg s/s, grille front exit			A124W5289F	4
27	Easyboss			A124W3193F	8
28	Double Sided Tape, grille 'A' panel upper & transom			C075U6071V	100mm
29	Screw M5 x 18 skt btn flg blk, tailgate grille side			A138W5001F	4
30	Nut M5 hex flg, tailgate side grille			A138W3003F	6
31	Spacer, side grille			A138W6024F	4
32	Foam	4 x 20mm		A054B6110V	As req.
33	Easyboss			A124W3193F	4



EXIGE

12.04

Updated 31st May 2013

Service Parts List

EXIGE



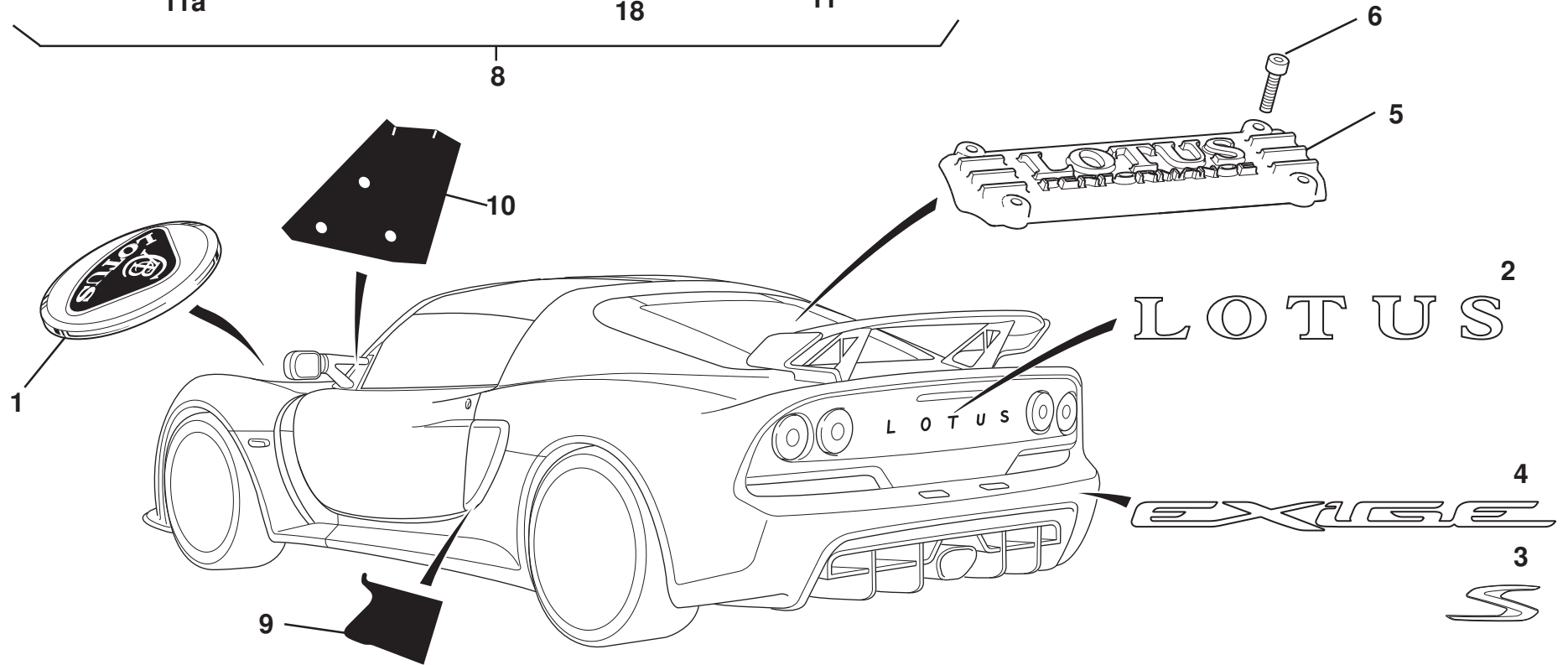
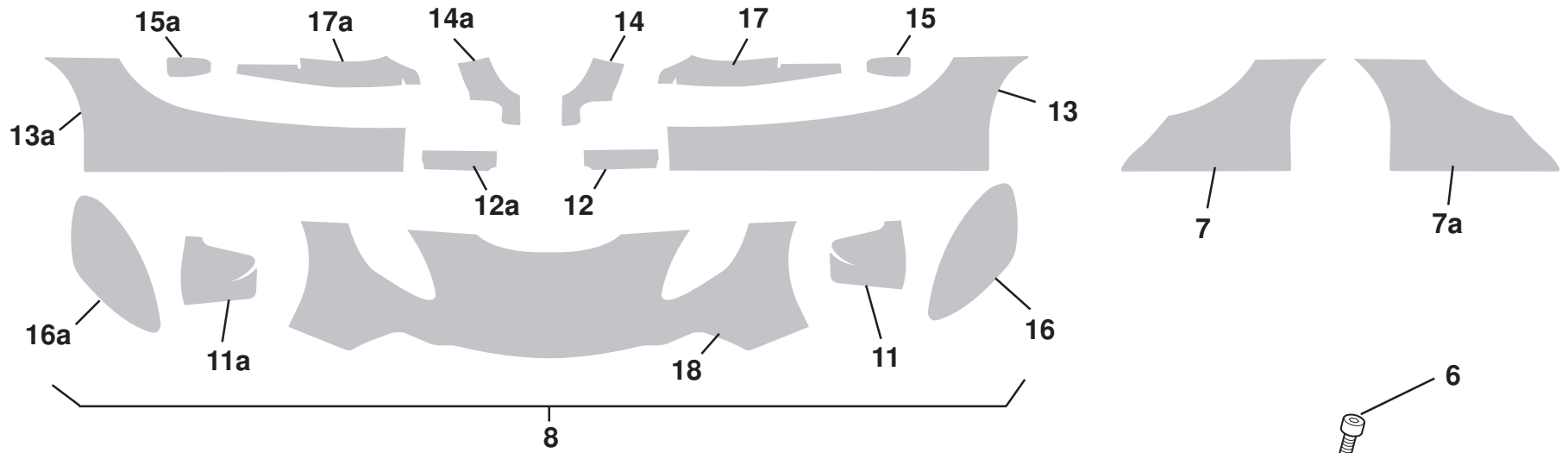
Function Code 12.04 Roof Panel, Seals & Fixings

<u>Dep</u>	<u>Part Description</u>	<u>Remarks</u>	<u>Option</u>	<u>Part Number</u>	<u>Qty</u>
01	Hard Top Roof Assembly	Quote Lotus Paint Code with order	Painted, trimmed	A138B0209J	1
02	Seal, hard top to side glass, LH			A116V0249F	1
02a	Seal, hard top to side glass, RH			A116V0248F	1
03	Double Sided Tape, 5mm, seal to carrier	Cut to fit		A117B0362V	As req.
04	Seal Carrier, LH			A116V0241F	1
04a	Seal Carrier, RH			A116V0240F	1
05	Double Sided Tape, 12mm, carrier to hard top	Cut to fit, 2 strips per side		C075U6071V	As req.
06	Pop Rivet, seal carrier to hard top			A116W6707F	12
07	Hard top seal	8mm thick		B116U0211F	As req.
08	Edging Strip, hard top sides			A120U0097F	2
09	Trim/Clamp Panel, front, hard top to screen header			A116B1078J	1
10	Trim Panel, bracket rear RH covering			A116B1076J	1
11	Trim Panel, bracket rear LH covering			A116B1077J	1
12	Spacer, plastic, panel to header			B116V0221F	3
13	Screw, M8 x 20, button hd. torx, clamps & frontcover fixing	Black finish		A116W5258F	3
14	Washer, flat, M8 x 21 x 1.6, clamps & front cover fixing	Black finish		A111W4159F	3
15	Retainer, nylon, screws to clamps & front cover			A116W4189F	5
16	Pin Clamp, hard top front			A116V0350F	2

EXIGE

Function Code 12.04 Roof Panel, Seals & Fixings

<u>Dep</u>	<u>Part Description</u>	<u>Remarks</u>	<u>Option</u>	<u>Part Number</u>	<u>Qty</u>
16a	Sleeve, pin clamp to latch plate			A117U0507F	2
17	Bracket Assembly, clamp to hard top rear LH			B116V0177F	1
17a	Bracket Assembly, clamp to hard top rear RH			B116V0178F	1
18	Hook Clamp, hard top rear, LH			B116V0349J	1
18a	Hook Clamp, hard top rear, RH			B116V0348J	1
19	Screw, M6 x 16, pan hd. torx, rear brackets to hard top	Black finish		A116W5260F	8
20	Washer, flat, M6 x 12 x 1.5, rear brackets to hard top	Black finish		B100W4127F	8
22	Screw M8 x 20, pn torx btn hd, tamper proof fixing			A138W5008F	4
23	Clamp, rear retention			A120V0296J	1
23a	Clamp Kit, rear retention	Includes fixings items 24-26		A120V0347S	1
24	Screw M8 x 32, centre clamp rr			A120V0348S	2
25	Washer M8 x 21x 1.6, s/s blk, centre clamp rr			A111W4159F	2
26	Captive Washer M8, centre clamp rr			A116W4189F	2
27	Insert M8			A117W6718F	2
28	Seal, hard top to rollhoop			A120B6084F	1
29	Hard Top Stowage Bag	Not illustrated		A116V0228F	1



EXIGE
12.05

Updated 1st July 2013

Service Parts List

EXIGE



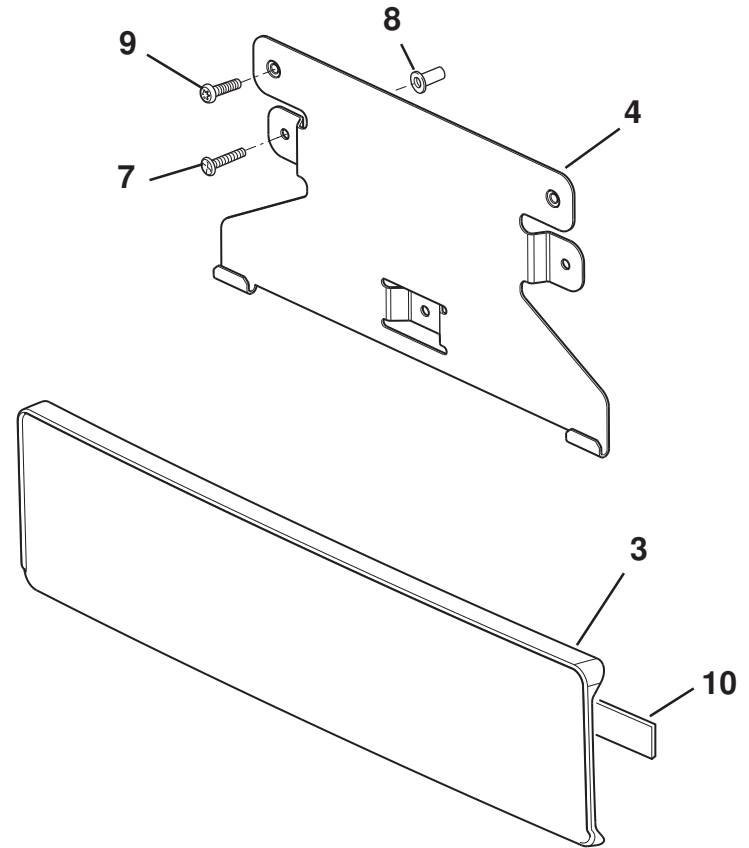
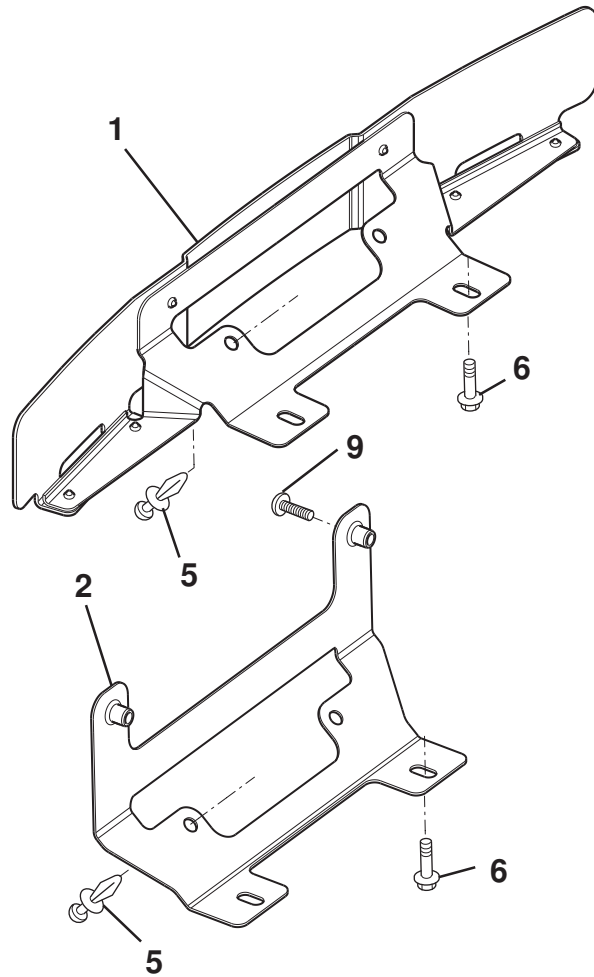
Function Code 12.05 Decals, Badges & Protective Film

<u>Dep</u>	<u>Part Description</u>	<u>Remarks</u>	<u>Option</u>	<u>Part Number</u>	<u>Qty</u>
01	Nose Badge, Lotus logo			A117U0170F	1
02	Badge, L O T U S, 'raised chrome' letters	On rear transom		B124B0326F	1
03	Badge 'S'			A132U0608F	1
04	Badge Exige, rear clam			B138B0176F	1
05	Badge Supercharger			A138E0016F	1
06	Screw M5 x 12 cap hd, badge to supercharger			A138W5002F	4
07	Chip Protection Rear Wheelarch rear front LH			B138B4145F	1
07a	Chip Protection Rear Wheelarch rear front RH			B138B4146F	1
08	Chip Protection Kit		Option	B138B0185S	1
09	Decal Side Air Duct LH			A138U4009F	1
09a	Decal Side Air Duct RH			A138U4010F	1
10	Decal Mirror Plinth LH			A138B4183F	1
10a	Decal Mirror Plinth RH			A138B4184F	1
11	Chip Protection, rear bumper LH			A138B4147H	1
11a	Chip Protection, rear bumper RH			A138B4148H	1
12	Chip Protection, lower front sill LH			A138B4149H	1
12a	Chip Protection, lower front sill RH			A138B4150H	1
13	Chip Protection, full sill rwheelarch LH			A138B4151H	1

EXIGE

Function Code 12.05 Decals, Badges & Protective Film

<u>Dep</u>	<u>Part Description</u>	<u>Remarks</u>	<u>Option</u>	<u>Part Number</u>	<u>Qty</u>
13a	Chip Protection, full sill wheelarch RH			A138B4152H	1
14	Chip Protection, front clamshell inner LH			A138B4153H	1
14a	Chip Protection, front clamshell inner RH			A138B4154H	1
15	Chip Protection, door mirror LH			A138B4167H	1
15a	Chip Protection, door mirror RH			A138B4168H	1
16	Chip Protection, headlamp LH			A138B4171H	1
16a	Chip Protection, headlamp RH			A138B4172H	1
17	Chip Protection, front splitter LH			A138B4203H	1
17a	Chip Protection, front splitter RH			A138B4204H	1
18	Chip Protection, front clamshell upper			A138B0186H	1



EXIGE

12.07

Updated 4th April 2013

Service Parts List

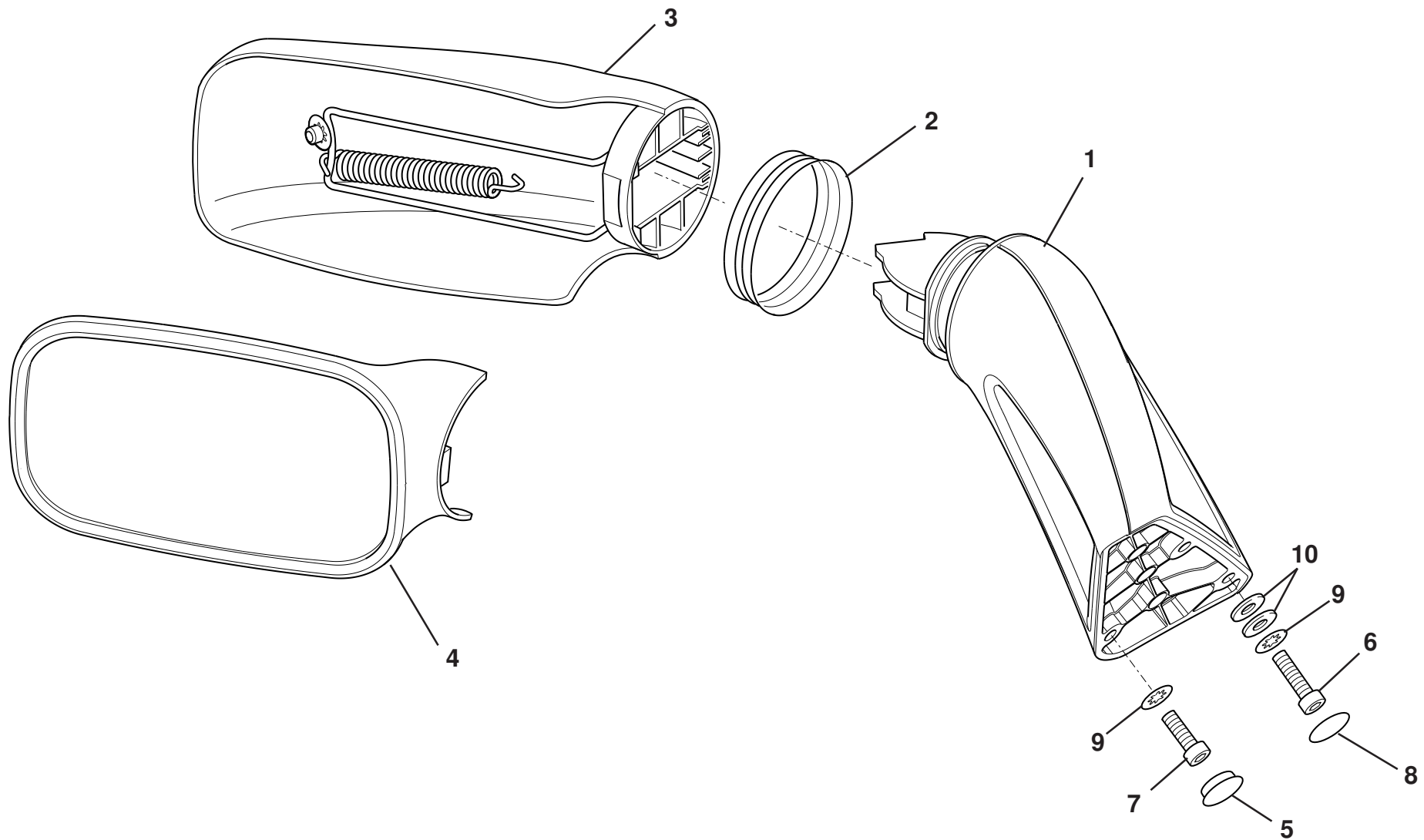
EXIGE



Function Code 12.07 Licence Plate Mountings

<u>Dep</u>	<u>Part Description</u>	<u>Remarks</u>	<u>Option</u>	<u>Part Number</u>	<u>Qty</u>
01	Plinth Assembly, front license plate			B138B0013F	1
02	Plinth Assembly, front license plate		Japan	A138B0157F	1
03	Plinth, rear license plate	Unpainted	Euro	A138B0213F	1
04	Bracket Assembly, rear license plate		Japan	A138B0155F	1
05	Scrivet			A120W6848F	2
06	Bolt M6 x 16, hex flg			A918W5208F	2
07	Screw M5 x 16, pan pozi			A082W5184F	3
08	Rawnut M5			A075W6074F	3
09	Screw M6 x 16 pan torx			A117W2213F	4
10	Double Sided Tape			A117B6043V	1

EXIGE



EXIGE

12.09

Updated 1st July 2013

Service Parts List

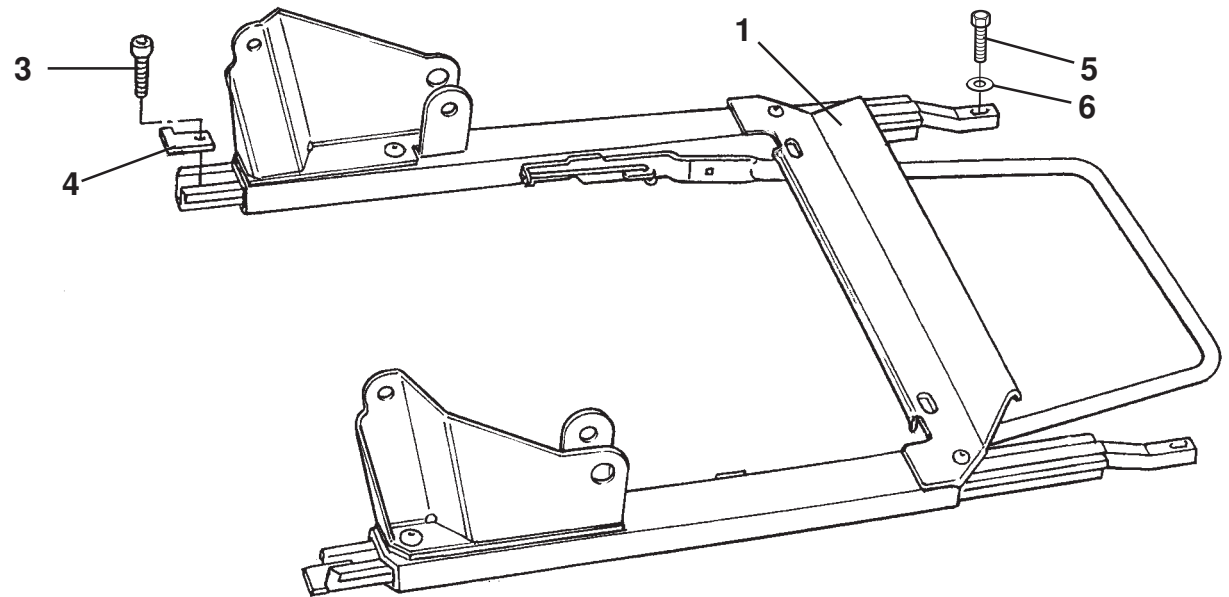
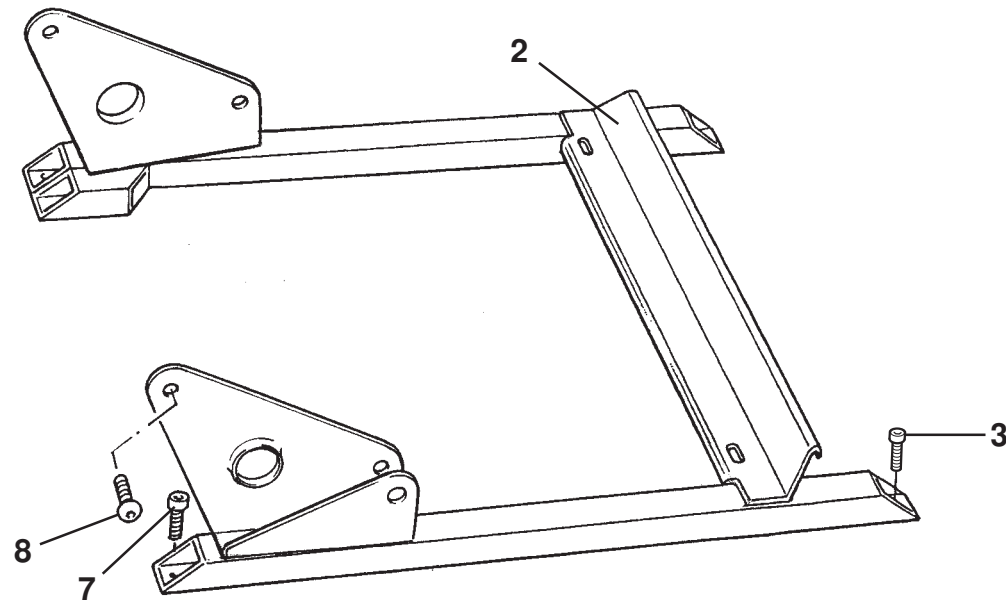
EXIGE



Function Code 12.09 Exterior Driving Mirrors

<u>Dep</u>	<u>Part Description</u>	<u>Remarks</u>	<u>Option</u>	<u>Part Number</u>	<u>Qty</u>
01	Plinth Mirror Assembly LH, bonded	Not painted		A138U4013F	1
01a	Plinth Mirror Assembly RH, bonded	Not painted		A138U4014F	1
02	Bellows, mirror to plinth			A111U6032F	2
03	Mirror Housing	Not painted	RH & LH	A138U0030F	2
04	Glass, convex		RH & LH	B111U6046F	2
05	Blanking Plug, dia 9.5 black, door holes covering			A124W6857F	2
06	Screw, M5 x 16, cap hd.		Forward fixings	A117W7216F	4
07	Screw, M5 x 12, cap hd., plinth to door		Rearward fixings	A111W7183F	2
08	Blanking Decal, 20mm, door holes covering			A111V0206F	4
09	Washer, internal shakeproof, M5, plinth to door			A075W4046Z	6
10	Washer, flat, M5, plinth to door			A075W4011Z	8

EXIGE



EXIGE
13.01

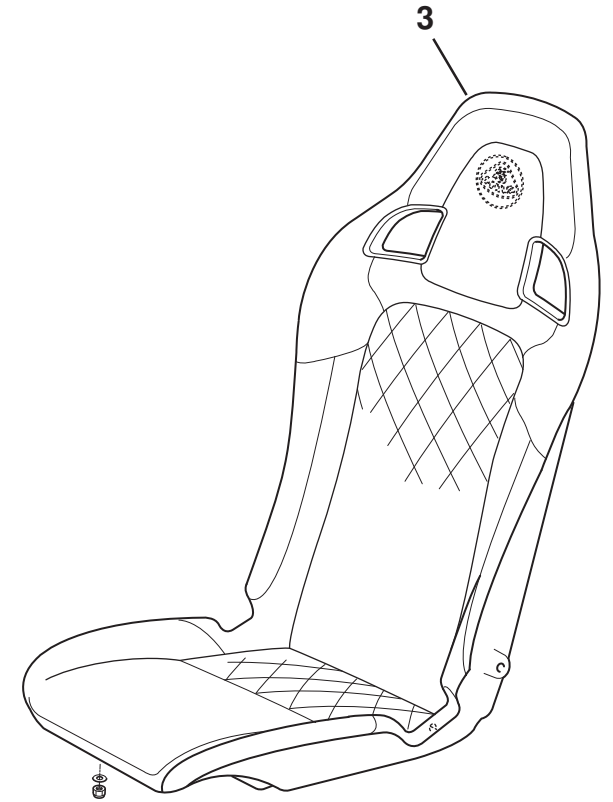
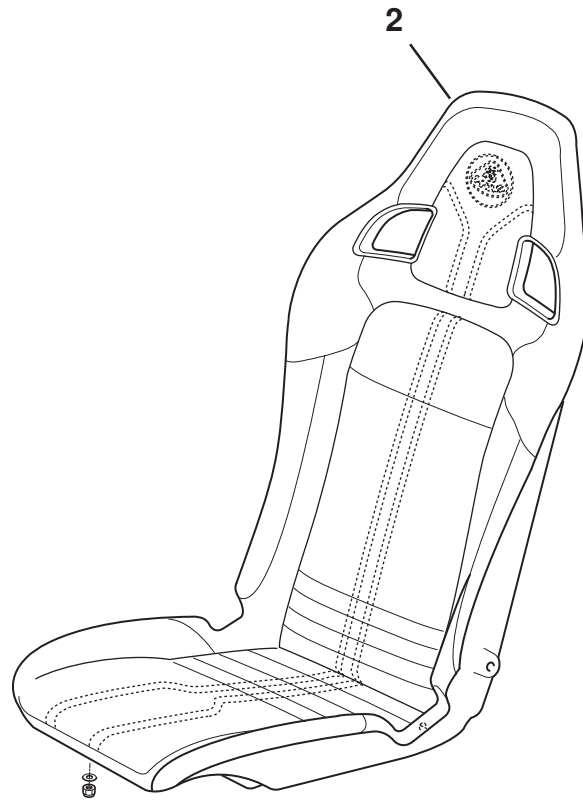
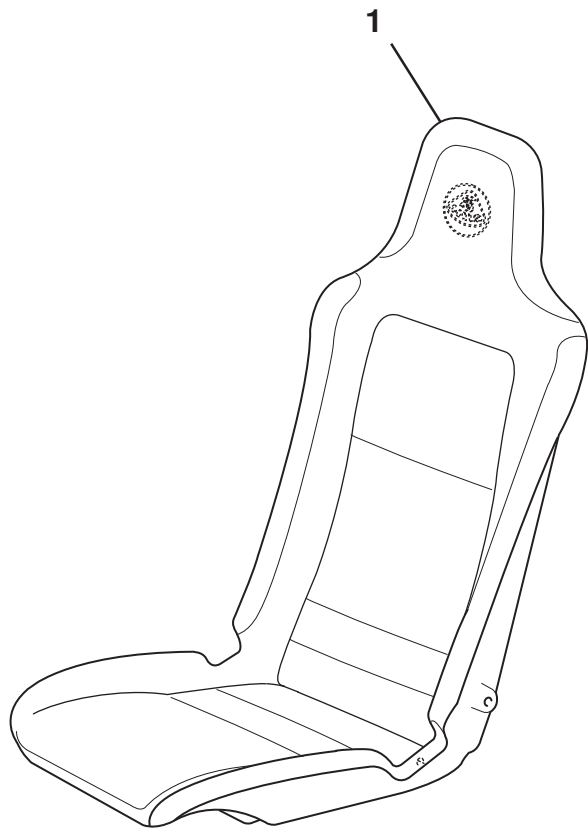
Service Parts List

EXIGE



Function Code 13.01 Seat Runners

<u>Dep</u>	<u>Part Description</u>	<u>Remarks</u>	<u>Option</u>	<u>Part Number</u>	<u>Qty</u>
01	Seat Runners, driver, RHD, LHD			A120B0155F	1
02	Seat Mounting Frame, passenger, RHD			A120B0168F	1
02a	Seat Mounting Frame, passenger, LHD			A120B0169F	1
03	Screw, M8 x 20, cap hd., runner rear/mtg. frame front fix.			A111W7130F	4
04	Stop, seat runner			A138V0324F	2
05	Screw, M8 x 25, hex. hd. black, runner front fix.			B075W1039F	2
06	Washer, flat, M8 x 16.6 x 1.4, runner front fix.			A075W4020Z	2
07	Screw, M8 x 16, cap hd., mounting frame rear fix.			A111W7125F	2
08	Screw, M8 x 12, button hd., side brackets to seat			A111W7131F	4
09	Seat Mounting Bracket set, fixed seats, FIA approved	Track only option		A128U0047S	2



Coupe

Roadster

EXIGE

13.02

Updated 1st May 2013

Service Parts List

EXIGE



Function Code 13.02 Seat Assemblies, front

<u>Dep</u>	<u>Part Description</u>	<u>Remarks</u>	<u>Option</u>	<u>Part Number</u>	<u>Qty</u>
01	Front Seat Assembly, base		Black cloth	A120V0508S	2
01a	Front Seat Assembly, base, heated		Black cloth	A138V0447S	2
02	Front Seat Assembly, sport/premium	Black stitching	Black leather	A138V0456S	2
02a	Front Seat Assembly, sport/premium, heated	Black stitching	Black leather	A138V0457S	2
02b	Front Seat Assembly, sport	Red stitching	Black leather	A138V0458S	2
02c	Front Seat Assembly, sport, heated	Red stitching	Black leather	A138V0459S	2
02d	Front Seat Assembly, sport	Yellow stitching	Black leather	A138V0460S	2
02e	Front Seat Assembly, sport, heated	Yellow stitching	Black leather	A138V0461S	2
02f	Front Seat Assembly, sport	Silver stitching	Black leather	A138V0462S	2
02g	Front Seat Assembly, sport, heated	Silver stitching	Black leather	A138V0463S	2
02h	Front Seat Assembly, sport	Black stitching	Suedetex/black leather	A138V0448S	2
02i	Front Seat Assembly, sport, heated	Black stitching	Suedetex/black leather	A138V0449S	2
02j	Front Seat Assembly, sport	Red stitching	Suedetex/black leather	A138V0450S	2
02k	Front Seat Assembly, sport, heated	Red stitching	Suedetex/black leather	A138V0451S	2
02l	Front Seat Assembly, sport	Yellow stitching	Suedetex/black leather	A138V0452S	2
02m	Front Seat Assembly, sport, heated	Yellow stitching	Suedetex/black leather	A138V0453S	2
02n	Front Seat Assembly, sport	Silver stitching	Suedetex/black leather	A138V0454S	2
02o	Front Seat Assembly, sport, heated	Silver stitching	Suedetex/black leather	A138V0455S	2

EXIGE

Function Code 13.02 Seat Assemblies, front

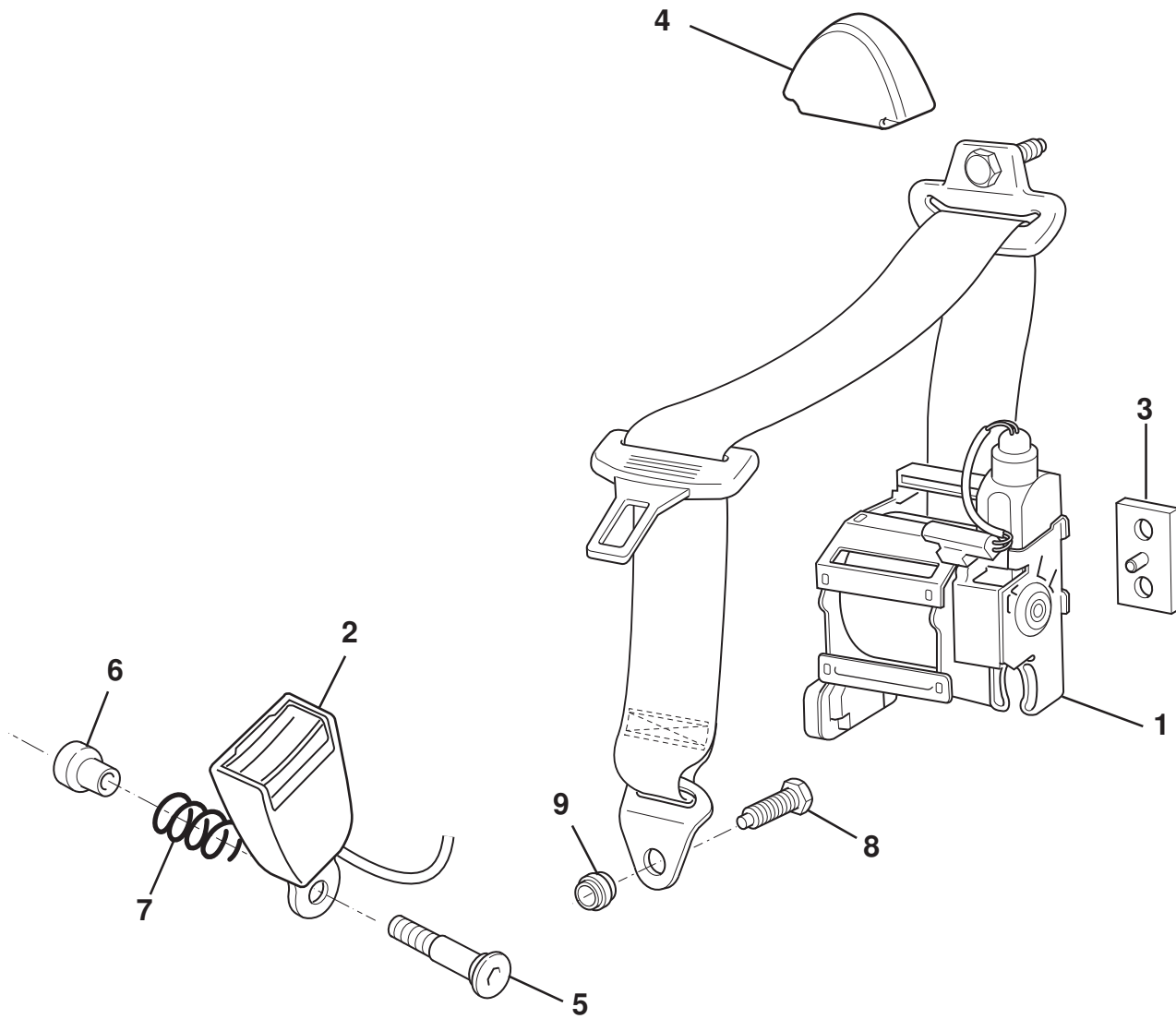
<u>Dep</u>	<u>Part Description</u>	<u>Remarks</u>	<u>Option</u>	<u>Part Number</u>	<u>Qty</u>
02p	Front Seat Assembly, premium		Ivory white leather	A138V0464S	2
02q	Front Seat Assembly, premium, heated		Ivory white leather	A138V0465S	2
02r	Front Seat Assembly, premium		Cognac brown leather	A138V0466S	2
02s	Front Seat Assembly, premium, heated		Cognac brown leather	A138V0467S	2
02t	Front Seat Assembly, premium		Venom red leather	A138V0468S	2
02u	Front Seat Assembly, premium, heated		Venom red leather	A138V0469S	2
02v	Front Seat Assembly, premium		Imperial blue leather	A138V0470S	2
02w	Front Seat Assembly, premium, heated		Imperial blue leather	A138V0471S	2
02x	Front Seat Assembly, premium		Cocoa brown leather	A138V0472S	2
02y	Front Seat Assembly, premium, heated		Cocoa brown leather	A138V0473S	2
02z	Front Seat Assembly, premium		Ash gray leather	A138V0474S	2
02az	Front Seat Assembly, premium, heated		Ash gray leather	A138V0475S	2
03	Front Seat Assembly, sport/premium	Quilted, Black stitching	Black leather	A138V0476S	2
03a	Front Seat Assembly, sport/premium, heated	Quilted, Black stitching	Black leather	A138V0477S	2
03b	Front Seat Assembly, sport	Quilted, Red stitching	Black leather	A138V0478S	2
03c	Front Seat Assembly, sport, heated	Quilted, Red stitching	Black leather	A138V0479S	2
03d	Front Seat Assembly, sport	Quilted, Yellow stitching	Black leather	A138V0480S	2
03e	Front Seat Assembly, sport, heated	Quilted, Yellow stitching	Black leather	A138V0481S	2
03f	Front Seat Assembly, sport	Quilted, Silver stitching	Black leather	A138V0482S	2
03g	Front Seat Assembly, sport, heated	Quilted, Silver stitching	Black leather	A138V0483S	2
03h	Front Seat Assembly, sport	Quilted, Black stitching	Suedetex/black leather	A138V0484S	2



Function Code 13.02 Seat Assemblies, front

<u>Dep</u>	<u>Part Description</u>	<u>Remarks</u>	<u>Option</u>	<u>Part Number</u>	<u>Qty</u>
03i	Front Seat Assembly, sport, heated	Quilted, Black stitching	Suedetex/black leather	A138V0485S	2
03j	Front Seat Assembly, sport	Quilted, Red stitching	Suedetex/black leather	A138V0486S	2
03k	Front Seat Assembly, sport, heated	Quilted, Red stitching	Suedetex/black leather	A138V0487S	2
03l	Front Seat Assembly, sport	Quilted, Yellow stitching	Suedetex/black leather	A138V0488S	2
03m	Front Seat Assembly, sport, heated	Quilted, Yellow stitching	Suedetex/black leather	A138V0489S	2
03n	Front Seat Assembly, sport	Quilted, Silver stitching	Suedetex/black leather	A138V0490S	2
03o	Front Seat Assembly, sport, heated	Quilted, Silver stitching	Suedetex/black leather	A138V0491S	2
03p	Front Seat Assembly, premium	Quilted	Ivory white leather	A138V0492S	2
03q	Front Seat Assembly, premium, heated	Quilted	Ivory white leather	A138V0493S	2
03r	Front Seat Assembly, premium	Quilted	Cognac brown leather	A138V0494S	2
03s	Front Seat Assembly, premium, heated	Quilted	Cognac brown leather	A138V0495S	2
03t	Front Seat Assembly, premium	Quilted	Venom red leather	A138V0496S	2
03u	Front Seat Assembly, premium, heated	Quilted	Venom red leather	A138V0497S	2
03v	Front Seat Assembly, premium	Quilted	Imperial blue leather	A138V0498S	2
03w	Front Seat Assembly, premium, heated	Quilted	Imperial blue leather	A138V0499S	2
03x	Front Seat Assembly, premium	Quilted	Cocoa brown leather	A138V0500S	2
03y	Front Seat Assembly, premium, heated	Quilted	Cocoa brown leather	A138V0501S	2
03z	Front Seat Assembly, premium	Quilted	Ash gray leather	A138V0502S	2
03az	Front Seat Assembly, premium, heated	Quilted	Ash gray leather	A138V0503S	2





EXIGE

13.27

Updated 6th June 2012

Service Parts List

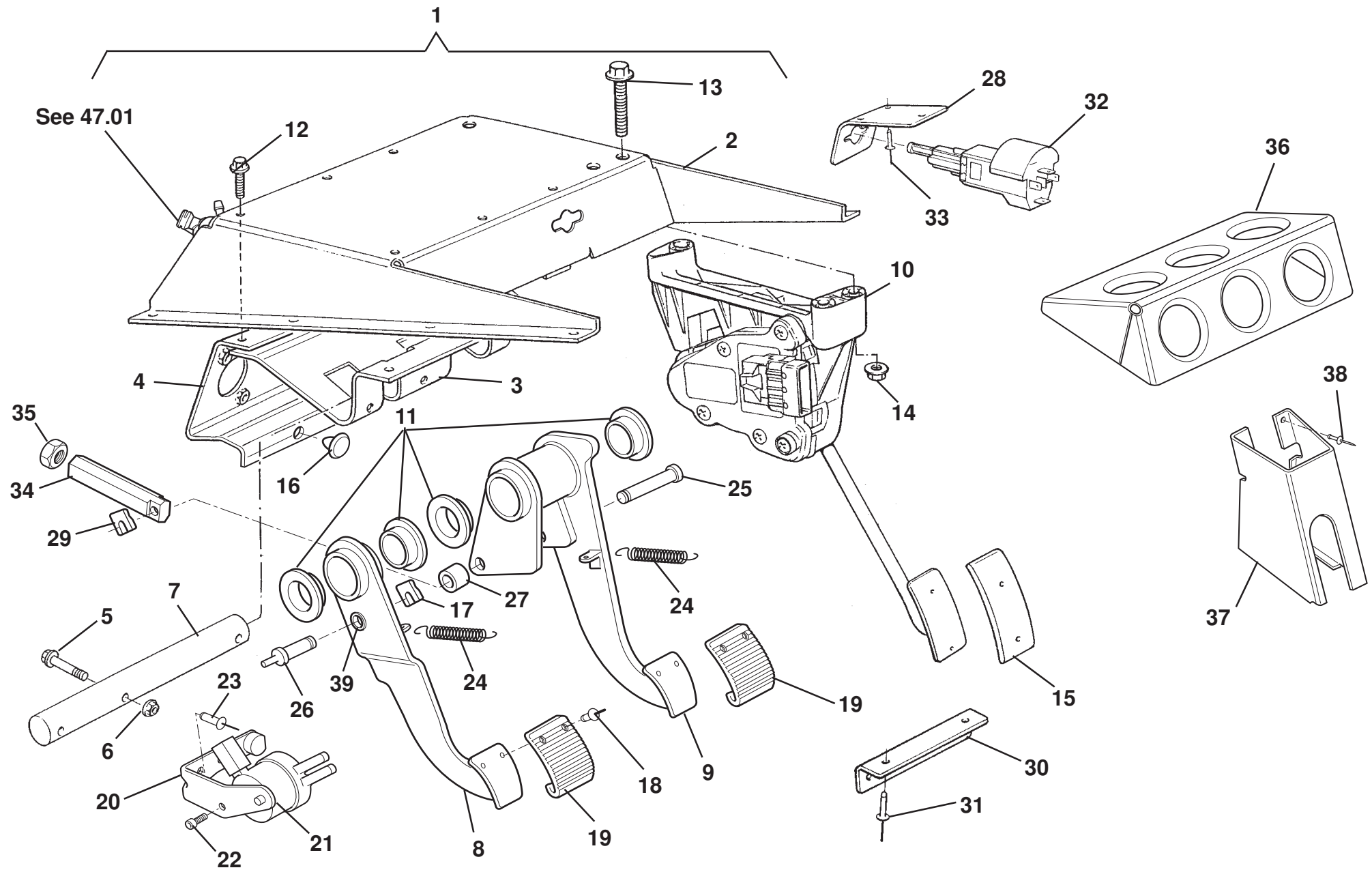
EXIGE



Function Code 13.27 Seat Belts, front

<u>Dep</u>	<u>Part Description</u>	<u>Remarks</u>	<u>Option</u>	<u>Part Number</u>	<u>Qty</u>
01	Seat Belt Assembly, retractor, airbag, driver			B121B0013F	1
01a	Seat Belt Assembly, retractor, airbag, passenger			B121B0014F	1
02	Buckle, seat belt		Common	A120B0026F	2
02a	Buckle, seat belt, switched	With lead and connector	Japan + airbag driver	A120B0025F	2
03	Spacer Block, belt to bracket			A121U0008F	2
04	Cover Assembly, upper anchorage			A116U6007S	2
05	Bolt, 7/16" UNF, csk., skt., hd., seat belt buckle			B121W2209F	2
06	Spacer, stepped, seat belt buckle			A121B0045F	2
07	Spring, seat belt buckle			A111U6016F	2
08	Bolt, shoulder, 7/16", seat belt fixing			B121W2210F	2
09	Spacer, 19.0 dia. x 12.5mm, seat belt fixing			A121W6782F	2

EXIGE



EXIGE

14.01

Updated 1st August 2013

Service Parts List

EXIGE



Function Code 14.01 Pedal Box, Pedals, Throttle Control

<u>Dep</u>	<u>Part Description</u>	<u>Remarks</u>	<u>Option</u>	<u>Part Number</u>	<u>Qty</u>
01	Assembly Pedal box LHD	Includes clutch master cylinder		A138J0105J	1
01a	Assembly Pedal box RHD	Includes clutch master cylinder		A138J0106J	1
02	Bracket Pedal box			A138J0023F	1
03	Brake Shaft Fixing Plate			A116J0042H	1
04	Brake TMC Plate			A138J0025F	1
05	Screw M5 x 30 hex flg			A120J6017F	1
06	Nut M5 hex flg			A138W3003F	1
07	Shaft Pedal			A116J0043H	1
08	Clutch Pedal Assembly	Includes pad and clevis bearing		A138Q0016F	1
09	Brake Pedal Assembly LHD	Includes pad		A138J4075K	1
09a	Brake Pedal Assembly RHD	Includes pad		A138J4076K	1
10	Electronic Throttle			A116J0003L	1
11	Bearing 20mm flanged			A116J6021F	4
12	Screw M6 x 16 hex flg			A132J6025F	6
13	Bolt M8 x 40 hex flg			A138W2008F	3
14	Nut M8 hex flg			A132W3006F	3
15	Pedal Pad Throttle			A120J0013H	1
16	Stop Brake			A120J6020F	2

EXIGE

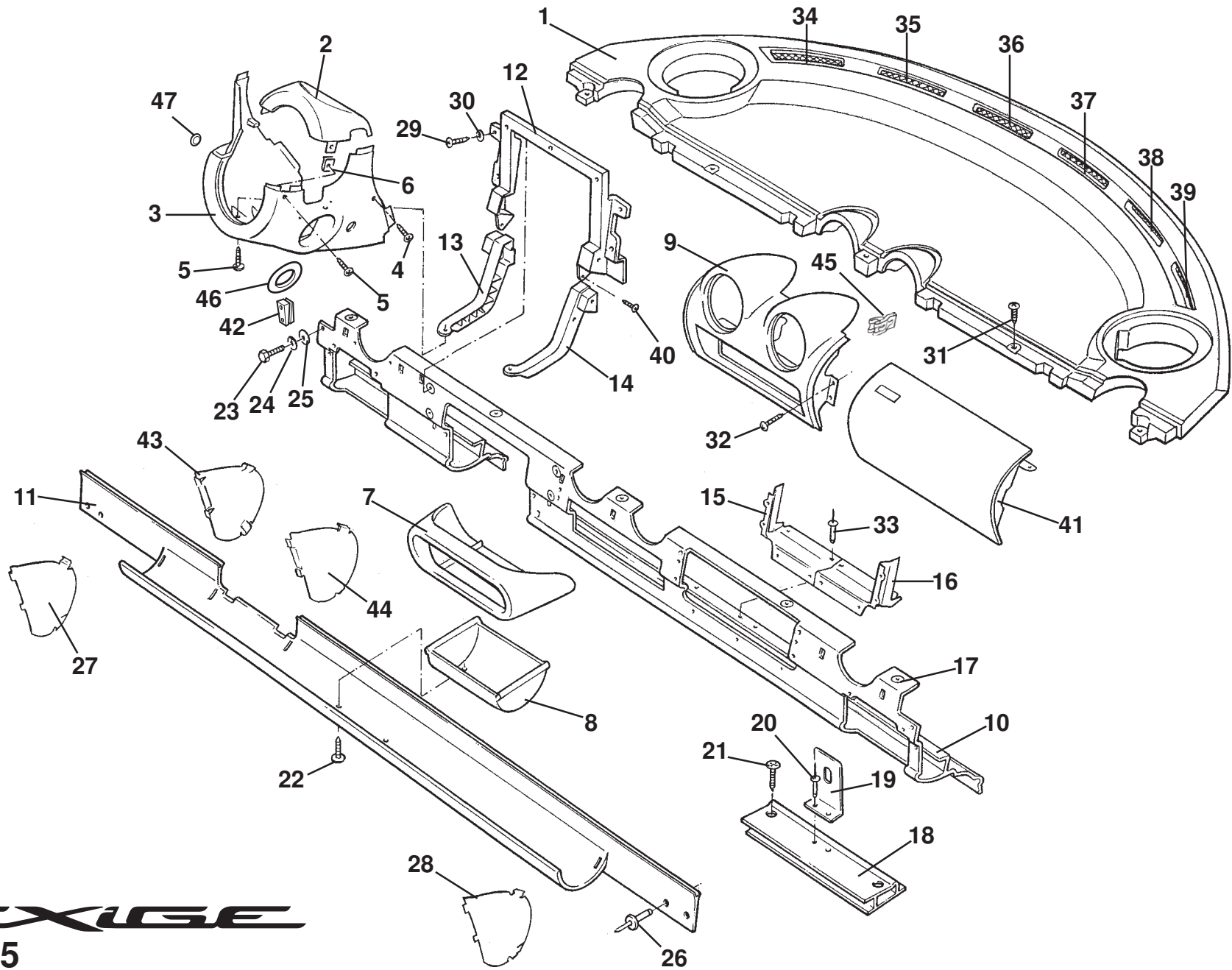
Function Code 14.01 Pedal Box, Pedals, Throttle Control

<u>Dep</u>	<u>Part Description</u>	<u>Remarks</u>	<u>Option</u>	<u>Part Number</u>	<u>Qty</u>
17	Clip, clevis pin retention			A116Q6006H	1
18	Pop Rivet			A116W6654F	6
19	Pedal Pad			A120J0014H	2
20	Bracket, clutch pedal potentiometer			A138Q0015F	1
21	Potentiometer, clutch			A132J0107H	1
22	Screw, M4 x 10, cap hd., potentiometer to bracket			A126W5320F	1
23	Pop Rivet, bracket to pedal box			A132W6024F	2
24	Spring, brake pedal return			A120J6006F	2
25	Clevis Pin, brake pedal to pushrod LHD			A138J0093F	1
25a	Clevis Pin, brake pedal to pushrod RHD			A138J0094F	1
26	Clevis Pin, clutch pedal to pushrod			A120Q0008H	1
27	Spacer, brake pedal	2 off LHD		A138J0090F	1
28	Bracket, switch			A116J0072K	1
29	Clip, clevis pin retention			A132J6031F	1
30	Bracket, clutch/brake return springs to chassis			D116Q0014F	1
31	Pop Rivet, bracket to chassis			A075W6068Z	2
32	Switch. Stoplight			A116J6034F	1
33	Pop Rivet			A075W6068Z	2
34	Push Rod Assembly, brake booster			A138J0089F	1
35	Locknut M10			A075W3024F	1
36	Passenger Footrest, RHD			A120U0008F	1



Function Code 14.01 Pedal Box, Pedals, Throttle Control

<u>Dep</u>	<u>Part Description</u>	<u>Remarks</u>	<u>Option</u>	<u>Part Number</u>	<u>Qty</u>
36a	Passenger Footrest Assembly, LHD	Includes velcro & foam		B111A0102J	1
37	Driver Footrest, RHD			C120U0007F	1
37a	Driver Footrest, LHD	Not illustrated, bonded to chassis		A111A0104F	1
38	Pop Rivet, footrest RHD to chassis			A111W6613F	4
39	Clevis Pin Bearing, pin to clutch pedal			A138Q0018H	1



EXIGE
14.05

Updated 1st July 2013

Service Parts List

EXIGE



Function Code 14.05 Fascia Structure & Supporting Hardware

<u>Dep</u>	<u>Part Description</u>	<u>Remarks</u>	<u>Option</u>	<u>Part Number</u>	<u>Qty</u>
01	Fascia Top Panel			B124U0124F	1
01a	Fascia Top Panel		Black leather	A138V0375S	1
01b	Fascia Top Panel		Ash grey leather	A138V0376S	1
01c	Fascia Top Panel		Imperial blue leather	A138V0377S	1
01d	Fascia Top Panel		Venom red leather	A138V0378S	1
01e	Fascia Top Panel		Cocoa brown leather	A138V0379S	1
02	Column Cowl, upper, senosoft, black			C121U0173F	1
02a	Column Cowl, upper		Black leather	A138V0380S	1
02b	Column Cowl, upper		Ash grey leather	A138V0381S	1
02c	Column Cowl, upper		Imperial blue leather	A138V0382S	1
02d	Column Cowl, upper		Venom red leather	A138V0383S	1
02e	Column Cowl, upper		Cocoa brown leather	A138V0384S	1
03	Column Cowl, lower, with exh valve button, senosoft, black			A138V0099F	1
03a	Column Cowl, lower, with exh valve button		Black leather	A138V0385S	1
03b	Column Cowl, lower, with exh valve button		Ash grey leather	A138V0386S	1
03c	Column Cowl, lower, with exh valve button		Imperial blue leather	A138V0387S	1
03d	Column Cowl, lower, with exh valve button		Venom red leather	A138V0388S	1
03e	Column Cowl, lower, with exh valve button		Cocoa brown leather	A138V0389S	1

EXIGE

Function Code 14.05 Fascia Structure & Supporting Hardware

<u>Dep</u>	<u>Part Description</u>	<u>Remarks</u>	<u>Option</u>	<u>Part Number</u>	<u>Qty</u>
04	Screw, self tap., No. 8 x 3/4", lower cowl to bracket			A075W5074Z	2
05	Screw, self tap., No. 6 x 0.5", lower to upper cowl			A075W5020Z	4
06	Spirenut, No. 8, lower to upper cowl			A075W6016Z	2
07	Panel, heater control mounting, senosoft, black			A138V0221F	1
07a	Panel, heater control mounting		Black leather	A138V0390S	1
07b	Panel, heater control mounting		Ash grey leather	A138V0391S	1
07c	Panel, heater control mounting		Imperial blue leather	A138V0392S	1
07d	Panel, heater control mounting		Venom red leather	A138V0393S	1
07e	Panel, heater control mounting		Cocoa brown leather	A138V0394S	1
08	Support, heater control panel mounting			A121U0071F	1
09	Mounting Assembly, centre FLV, senosoft, black			A138V0113F	1
09a	Mounting Assembly, centre FLV		Black leather	A138V0395S	1
09b	Mounting Assembly, centre FLV		Ash grey leather	A138V0396S	1
09c	Mounting Assembly, centre FLV		Imperial blue leather	A138V0397S	1
09d	Mounting Assembly, centre FLV		Venom red leather	A138V0398S	1
09e	Mounting Assembly, centre FLV		Cocoa brown leather	A138V0399S	1
10	Dash Panel Upper, LHD			G121U0041F	1
10a	Dash Panel Upper, RHD			F121U0042F	1
11	Dash Panel Lower/Stowage Shelf, LHD			B121U0115F	1
11a	Dash Panel Lower/Stowage Shelf, RHD			B121U0116F	1
12	Bracket, instrument pack mounting			C121U0101F	1



Function Code 14.05 Fascia Structure & Supporting Hardware

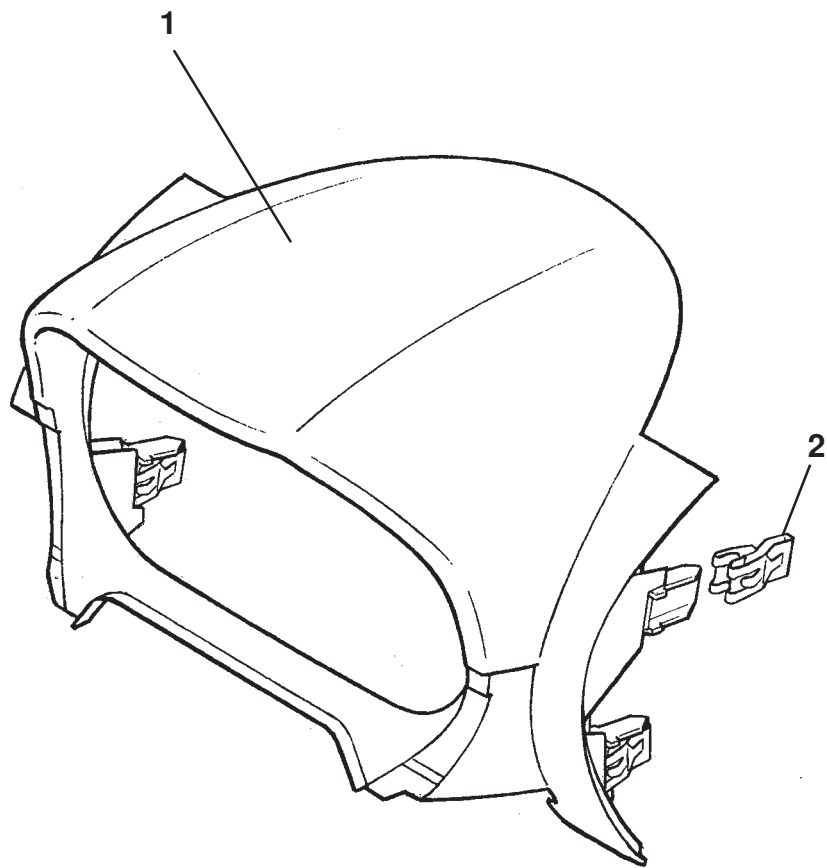
<u>Dep</u>	<u>Part Description</u>	<u>Remarks</u>	<u>Option</u>	<u>Part Number</u>	<u>Qty</u>
13	Mounting Bracket, column shroud, LH			B121U0087F	1
14	Mounting Bracket, column shroud, RH			A121U0088F	1
15	Chute, PAB aperture, LH			B121U0141K	1
16	Chute, PAB aperture, RH			B121U0142K	1
17	Captive Plastic Nut			A120W3186F	16
18	Radio Support Extrusion			A121U0081F	1
19	Bracket, radio support, rear			B121U00100F	1
20	Pop Rivet, bracket to extrusion			A100W6397F	2
21	Screw, No. 10 x 1/2", extrusion to chassis			A075W5040Z	2
22	Screw, No. 10 x 1/2", support to panel			A075W5040Z	2
23	Screw, M6 x 25, hex. hd., dash panel upper to body			A075W1031F	4
24	Washer, spring, M6, dash panel upper to body			A075W4035Z	4
25	Washer, flat, M6 x 12.1 x 1.4, dash panel upper to body			A075W4013F	4
26	Pop Rivet, dash panel lower to chassis			A085W6259F	4
27	Closing Panel, stowage shelf, LH			A121U0051F	1
28	Closing Panel, stowage shelf, RH			A121U0052F	1
29	Screw, self tap., No. 8 x 3/4", bracket fixing			A075W5074Z	4
30	Washer, M6 x 12.1 x 1.4, bracket fixing			A075W4013F	4
31	Screw, self tap., No. 8 x 3/4", top panel fixing			A075W5074Z	4
32	Screw, self tap., No. 8 x 3/4", mount FLV fixing			A075W5074Z	3
33	Pop Rivet, domed, black, chute to panel			A082W6512F	12



Function Code 14.05 Fascia Structure & Supporting Hardware

<u>Dep</u>	<u>Part Description</u>	<u>Remarks</u>	<u>Option</u>	<u>Part Number</u>	<u>Qty</u>
34	Grille, demist, LH outer			A121U0125H	1
35	Grille, demist, LH inner			A121U0127H	1
36	Grille, demist, LH centre			A121U0129H	1
37	Grille, demist, RH centre			A121U0130H	1
38	Grille, demist, RH inner			A121U0128H	1
39	Grille, demist, RH outer			A121U0126H	1
40	Screw, self tap., No. 8 x 3/4", shroud brackets fixing			A075W5074Z	2
41	Cover Assembly, passenger airbag, senosoft, black	Also see 17.35		A138V0151F	1
41a	Cover Assembly, passenger airbag	Also see 17.35	Black leather	A138V0400S	1
41b	Cover Assembly, passenger airbag	Also see 17.35	Ash grey leather	A138V0401S	1
41c	Cover Assembly, passenger airbag	Also see 17.35	Imperial blue leather	A138V0402S	1
41d	Cover Assembly, passenger airbag	Also see 17.35	Venom red leather	A138V0403S	1
41e	Cover Assembly, passenger airbag	Also see 17.35	Cocoa brown leather	A138V0404S	1
42	Insert, dash panel to body, LH			A121U0103F	1
42a	Insert, dash panel to body, RH			A121U0104F	1
43	Closing Panel, column cowl, LH			A121U0107F	1
44	Closing Panel, column cowl, RH			A121U0108F	1
45	Clip, FLV centre panel retention			A121U0156S	1
46	Grommet, ignition barrell to column shrouds			B100V6061F	1
47	Plug, dome black, cowl without exh valve button			A138W6008F	1





EXIGE

14.10

Service Parts List

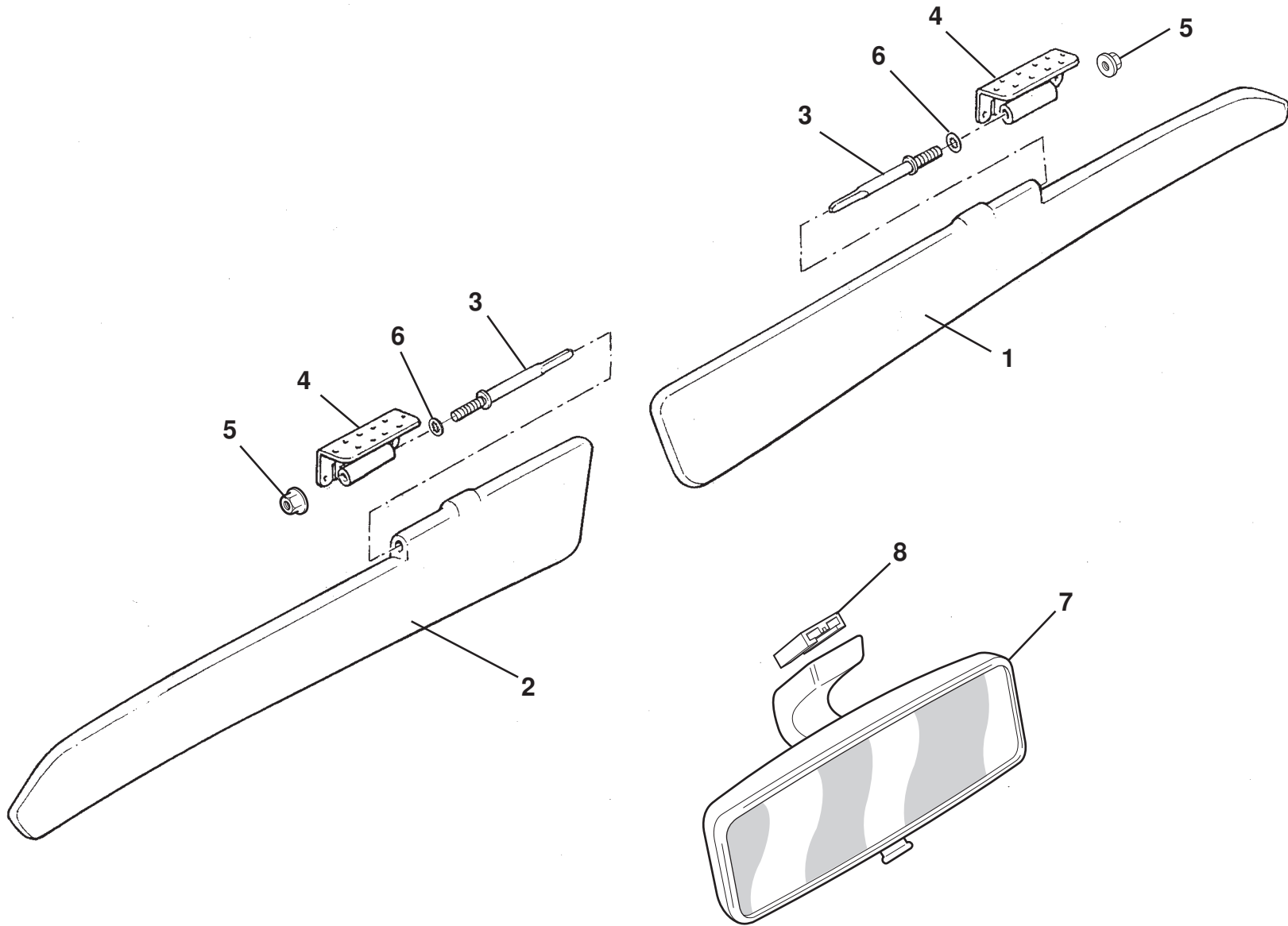
EXIGE



Function Code 14.10 Instrument Cowling

<u>Dep</u>	<u>Part Description</u>	<u>Remarks</u>	<u>Option</u>	<u>Part Number</u>	<u>Qty</u>
01	Instrument Cowling,, black paint			A138V0217F	1
01a	Instrument Cowling		Black leather	A120V0363S	1
01b	Instrument Cowling		Ash grey leather	A138V0406S	1
01c	Instrument Cowling		Imperial blue leather	A138V0407S	1
01d	Instrument Cowling		Venom red leather	A138V0408S	1
01e	Instrument Cowling		Cocoa brown leather	A138V0409S	1
02	Clip, cowling retention	Also for FLV panels (five clips total)		A121U0156S	4

EXIGE

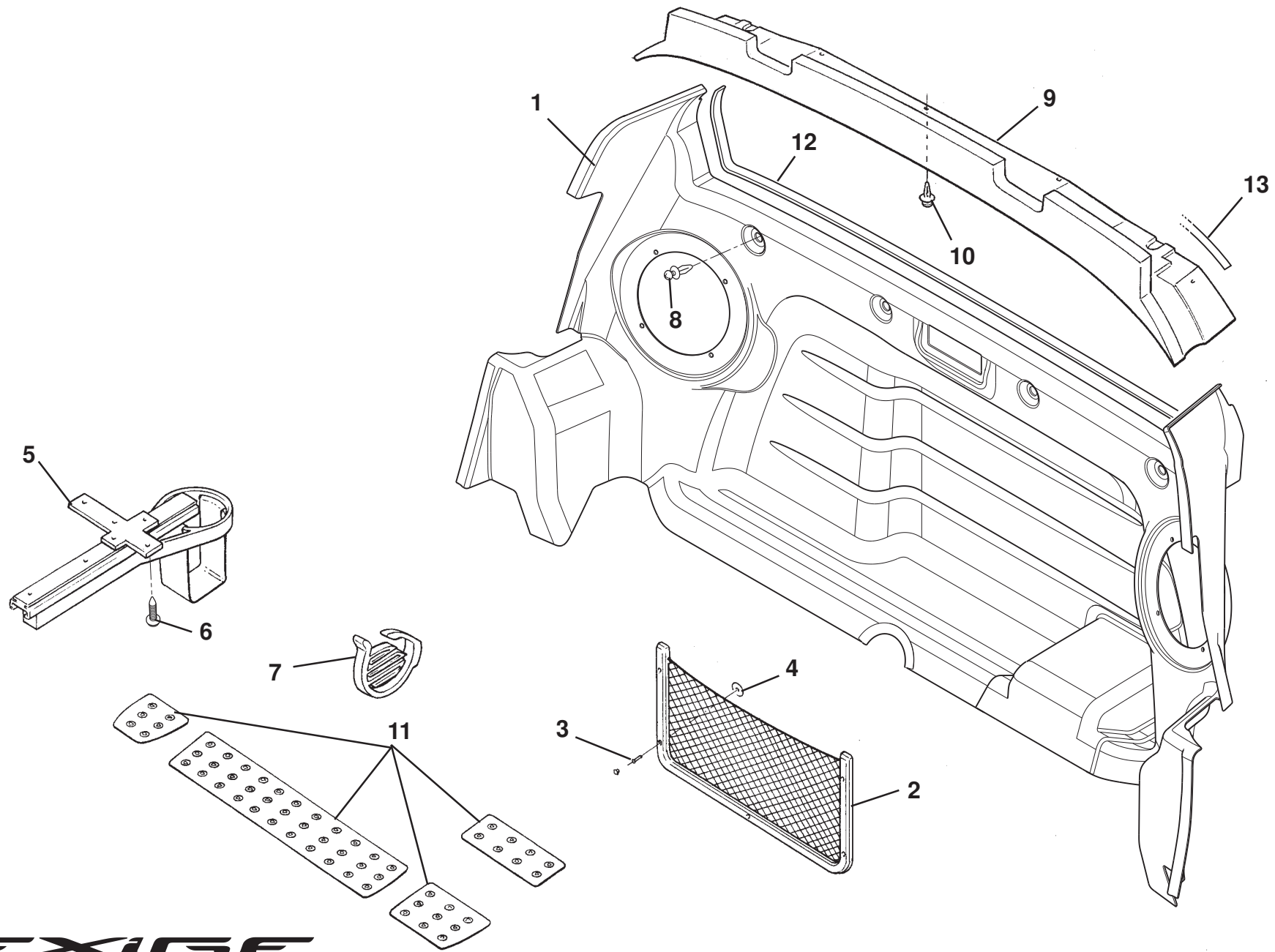


EXIGE

15.05

Function Code 15.05 Interior Driving Mirror & Sunvisors

<u>Dep</u>	<u>Part Description</u>	<u>Remarks</u>	<u>Option</u>	<u>Part Number</u>	<u>Qty</u>
01	Sun Visor, driver, RHD			C117V0710J	1
01a	Sun Visor, driver, LHD			C117V0711J	1
02	Sun Visor, passenger, RHD			C117V0712J	1
02a	Sun Visor, passenger, LHD			C117V0713J	1
03	Pivot Pin, M8, sun visor			A117U0468F	2
04	Bracket, visor to header rail			B117U0419F	2
05	Nut, M8, Kaylock, visor to bracket			A100C6022F	2
06	Washer, M8, shakeproof, pin to bracket			A075W4048Z	2
07	Mirror, interior rear view, 22 cm wide			A120U6009F	1
08	Mounting Plinth, interior mirror			A120U6010F	1
09	Adhesive Kit, mirror mounting plinth	Not illustrated		A116U0194F	1
10	Betaclean 3900, glass preparation	Not illustrated		A100B6008V	1



EXIGE

15.11

Updated 1st July 2013

Service Parts List

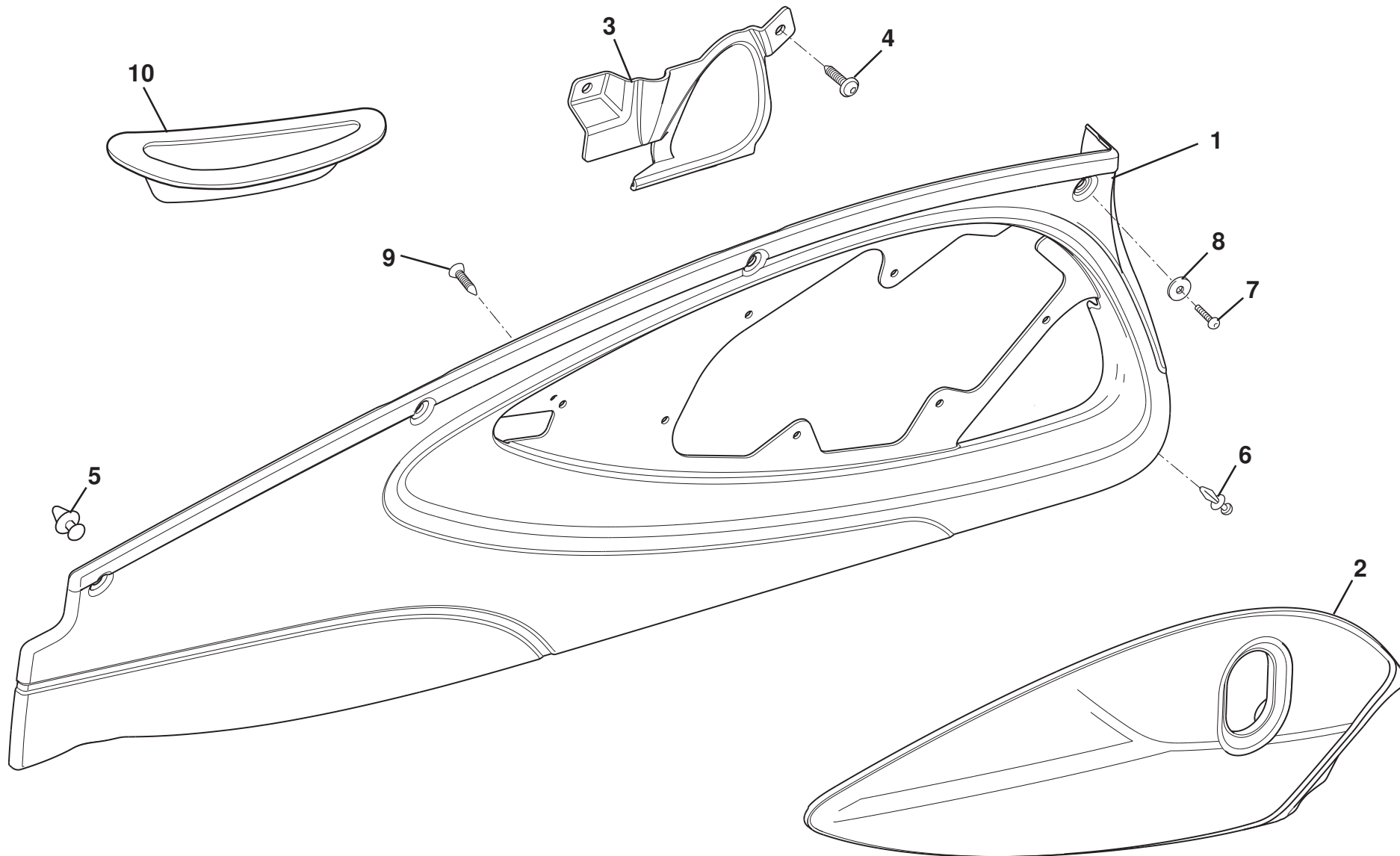
EXIGE



Function Code 15.11 Interior Trim & Stowage Provision

<u>Dep</u>	<u>Part Description</u>	<u>Remarks</u>	<u>Option</u>	<u>Part Number</u>	<u>Qty</u>
01	Rear Bulkhead Trim Panel, speakers			A120B0384F	1
02	Stowage Net Assembly	Includes finisher plugs, Also fitted to battery cover		A117U6011F	1
03	Pop Rivet, net to panel			A082W6512F	5
04	Washer, flat, 1/8" x 0.75", net to panel			A075W4001Z	5
05	Cup Holder Assembly		Optional	A120U0065J	1
06	Screw, M4 x 12, pan pozi., cup holder to chassis		Optional	A075W5132F	2
07	Divider, stowage tray		Optional	A120U0060F	2
08	Plastic Fastener, trim panel fixing			A100W6391F	6
09	Trim Panel Rear Header			B121U0111F	1
10	Fixing, trim panel rear header			A100W6481F	5
11	Stowage Tray Mat Set, RHD			A120V0240F	1
11a	Stowage Tray Mat Set, LHD			A120V0241F	1
12	Edge Finisher			A111U6034V	1.1m
13	Anti Squeak Tape			A132V6050V	1.8m

EXIGE



EXIGE

15.13

Updated 16th July 2012

Service Parts List

EXIGE



Function Code 15.13 Front Door Trims

<u>Dep</u>	<u>Part Description</u>	<u>Remarks</u>	<u>Option</u>	<u>Part Number</u>	<u>Qty</u>
01	Assembly Door Trim Panel LH	Black stitching	Black leather	A138V4175S	1
01a	Assembly Door Trim Panel RH	Black stitching	Black leather	A138V4176S	1
01b	Assembly Door Trim Panel LH	Red stitching	Black leather	A138V4177S	1
01c	Assembly Door Trim Panel RH	Red stitching	Black leather	A138V4178S	1
01d	Assembly Door Trim Panel LH	Yellow stitching	Black leather	A138V4179S	1
01e	Assembly Door Trim Panel RH	Yellow stitching	Black leather	A138V4180S	1
01f	Assembly Door Trim Panel LH	Silver stitching	Black leather	A138V4181S	1
01g	Assembly Door Trim Panel RH	Silver stitching	Black leather	A138V4182S	1
01h	Assembly Door Trim Panel LH		Ivory white leather	A138V4183S	1
01i	Assembly Door Trim Panel RH		Ivory white leather	A138V4184S	1
01j	Assembly Door Trim Panel LH		Venom red leather	A138V4185S	1
01k	Assembly Door Trim Panel RH		Venom red leather	A138V4186S	1
01l	Assembly Door Trim Panel LH		Cognac brown leather	A138V4187S	1
01m	Assembly Door Trim Panel RH		Cognac brown leather	A138V4188S	1
01n	Assembly Door Trim Panel LH		Cocoa brown leather	A138V4189S	1
01o	Assembly Door Trim Panel RH		Cocoa brown leather	A138V4190S	1
01p	Assembly Door Trim Panel LH		Ash gray leather	A138V4191S	1
01q	Assembly Door Trim Panel RH		Ash gray leather	A138V4192S	1

EXIGE

Function Code 15.13 Front Door Trims

<u>Dep</u>	<u>Part Description</u>	<u>Remarks</u>	<u>Option</u>	<u>Part Number</u>	<u>Qty</u>
01r	Assembly Door Trim Panel LH		Imperial blue leather	A138V4193S	1
01s	Assembly Door Trim Panel RH		Imperial blue leather	A138V4194S	1
01t	Assembly Door Trim Panel LH	Black stitching	Suedetex	A138V4195S	1
01u	Assembly Door Trim Panel RH	Black stitching	Suedetex	A138V4196S	1
01v	Assembly Door Trim Panel LH	Red stitching	Suedetex	A138V4197S	1
01w	Assembly Door Trim Panel RH	Red stitching	Suedetex	A138V4198S	1
01x	Assembly Door Trim Panel LH	Yellow stitching	Suedetex	A138V4199S	1
01y	Assembly Door Trim Panel RH	Yellow stitching	Suedetex	A138V4200S	1
01z	Assembly Door Trim Panel LH	Silver stitching	Suedetex	A138V4201S	1
01az	Assembly Door Trim Panel RH	Silver stitching	Suedetex	A138V4202S	1
02	Assembly Door Trim Panel Insert LH	Black stitching	Black leather	A138V4203S	1
02a	Assembly Door Trim Panel Insert RH	Black stitching	Black leather	A138V4204S	1
02b	Assembly Door Trim Panel Insert LH	Red stitching	Black leather	A138V4205S	1
02c	Assembly Door Trim Panel Insert RH	Red stitching	Black leather	A138V4206S	1
02d	Assembly Door Trim Panel Insert LH	Yellow stitching	Black leather	A138V4207S	1
02e	Assembly Door Trim Panel Insert RH	Yellow stitching	Black leather	A138V4208S	1
02f	Assembly Door Trim Panel Insert LH	Silver stitching	Black leather	A138V4209S	1
02g	Assembly Door Trim Panel Insert RH	Silver stitching	Black leather	A138V4210S	1
02h	Assembly Door Trim Panel Insert LH		Ivory white leather	A138V4211S	1
02i	Assembly Door Trim Panel Insert RH		Ivory white leather	A138V4212S	1
02j	Assembly Door Trim Panel Insert LH		Venom red leather	A138V4213S	1



Function Code 15.13 Front Door Trims

<u>Dep</u>	<u>Part Description</u>	<u>Remarks</u>	<u>Option</u>	<u>Part Number</u>	<u>Qty</u>
02k	Assembly Door Trim Panel Insert RH		Venom red leather	A138V4214S	1
02l	Assembly Door Trim Panel Insert LH		Cognac brown leather	A138V4215S	1
02m	Assembly Door Trim Panel Insert RH		Cognac brown leather	A138V4216S	1
02n	Assembly Door Trim Panel Insert LH		Cocoa brown leather	A138V4217S	1
02o	Assembly Door Trim Panel Insert RH		Cocoa brown leather	A138V4218S	1
02p	Assembly Door Trim Panel Insert LH		Ash gray leather	A138V4219S	1
02q	Assembly Door Trim Panel Insert RH		Ash gray leather	A138V4220S	1
02r	Assembly Door Trim Panel Insert LH		Imperial blue leather	A138V4221S	1
02s	Assembly Door Trim Panel Insert RH		Imperial blue leather	A138V4222S	1
02t	Assembly Door Trim Panel Insert LH		Suedetex	A138V4239S	1
02u	Assembly Door Trim Panel Insert RH		Suedetex	A138V4240S	1
02v	Assembly Door Trim Panel Insert LH	Quilted	Black leather	A138V4245S	1
02w	Assembly Door Trim Panel Insert RH	Quilted	Black leather	A138V4246S	1
02x	Assembly Door Trim Panel Insert LH	Quilted	Ivory white leather	A138V4247S	1
02y	Assembly Door Trim Panel Insert RH	Quilted	Ivory white leather	A138V4248S	1
02z	Assembly Door Trim Panel Insert LH	Quilted	Venom red leather	A138V4249S	1
02az	Assembly Door Trim Panel Insert RH	Quilted	Venom red leather	A138V4250S	1
02bz	Assembly Door Trim Panel Insert LH	Quilted	Cognac brown leather	A138V4251S	1
02cz	Assembly Door Trim Panel Insert RH	Quilted	Cognac brown leather	A138V4252S	1
02dz	Assembly Door Trim Panel Insert LH	Quilted	Cocoa brown leather	A138V4253S	1
02ez	Assembly Door Trim Panel Insert RH	Quilted	Cocoa brown leather	A138V4254S	1



Function Code 15.13 Front Door Trims

<u>Dep</u>	<u>Part Description</u>	<u>Remarks</u>	<u>Option</u>	<u>Part Number</u>	<u>Qty</u>
02fz	Assembly Door Trim Panel Insert LH	Quilted	Ash gray leather	A138V4255S	1
02gz	Assembly Door Trim Panel Insert RH	Quilted	Ash gray leather	A138V4256S	1
02hz	Assembly Door Trim Panel Insert LH	Quilted	Imperial blue leather	A138V4257S	1
02iz	Assembly Door Trim Panel Insert RH	Quilted	Imperial blue leather	A138V4258S	1
03	Bezel, door release LH			A138V4051J	1
03a	Bezel, door release RH			A138V4052J	1
04	Screw Pozi, no.8 x 3/4 flg hd			A075W5074F	2
05	Clip, trim panel insert			A116U0200F	2
06	Drivelock Rivet			A138W6018F	2
07	Screw M5 x 20 btn cap hd.			A082W7173F	4
08	Washer Flat M5 x 10 x 0.8			A075W4011F	4
09	Screw Pozi, no.5 x 1/2			A057W5020F	8
10	Trim Panel, interior door pull recess, LH	Bonded to inner door		A117B0371F	1
10a	Trim Panel, interior door pull recess, RH	Bonded to inner door		A117B0372F	1
10b	Trim Panel, interior door pull recess, LH	Bonded to inner door	Black leather	A120V4045S	1
10c	Trim Panel, interior door pull recess, RH	Bonded to inner door	Black leather	A120V4046S	1
10d	Trim Panel, interior door pull recess, LH	Bonded to inner door	Ivory white leather	A138V4131S	1
10e	Trim Panel, interior door pull recess, RH	Bonded to inner door	Ivory white leather	A138V4132S	1
10f	Trim Panel, interior door pull recess, LH	Bonded to inner door	Venom red leather	A138V4133S	1
10g	Trim Panel, interior door pull recess, RH	Bonded to inner door	Venom red leather	A138V4134S	1
10h	Trim Panel, interior door pull recess, LH	Bonded to inner door	Cognac brown leather	A138V4135S	1



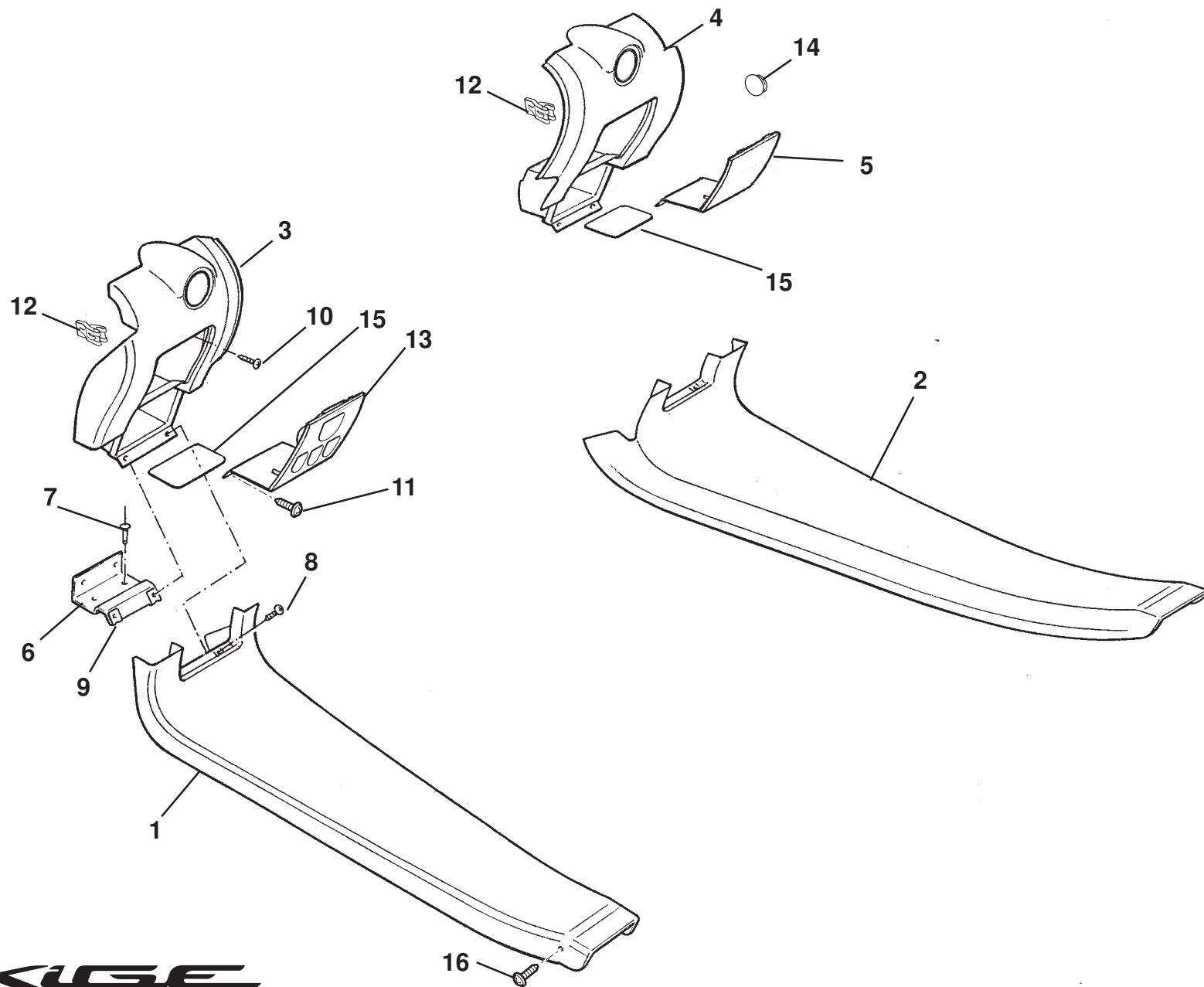
Function Code 15.13 Front Door Trims

<u>Dep</u>	<u>Part Description</u>	<u>Remarks</u>	<u>Option</u>	<u>Part Number</u>	<u>Qty</u>
10i	Trim Panel, interior door pull recess, RH	Bonded to inner door	Cognac brown leather	A138V4136S	1
10j	Trim Panel, interior door pull recess, LH	Bonded to inner door	Cocoa brown leather	A138V4137S	1
10k	Trim Panel, interior door pull recess, RH	Bonded to inner door	Cocoa brown leather	A138V4138S	1
10l	Trim Panel, interior door pull recess, LH	Bonded to inner door	Ash gray leather	A138V4139S	1
10m	Trim Panel, interior door pull recess, RH	Bonded to inner door	Ash gray leather	A138V4140S	1
10n	Trim Panel, interior door pull recess, LH	Bonded to inner door	Imperial blue leather	A138V4141S	1
10o	Trim Panel, interior door pull recess, RH	Bonded to inner door	Imperial blue leather	A138V4142S	1
10p	Trim Panel, interior door pull recess, LH	Bonded to inner door, red stitching	Black leather	A138V4143S	1
10q	Trim Panel, interior door pull recess, RH	Bonded to inner door, red stitching	Black leather	A138V4144S	1
10u	Trim Panel, interior door pull recess, LH	Bonded to inner door, yellow stitching	Black leather	A138V4145S	1
10v	Trim Panel, interior door pull recess, RH	Bonded to inner door yellow stitching	Black leather	A138V4146S	1
10w	Trim Panel, interior door pull recess, LH	Bonded to inner door, silver stitching	Black leather	A138V4147S	1
10x	Trim Panel, interior door pull recess, RH	Bonded to inner door, silver stitching	Black leather	A138V4148S	1
10y	Trim Panel, interior door pull recess, LH	Bonded to inner door, red stitching	Suedetex	A138V4149S	1
10z	Trim Panel, interior door pull recess, RH	Bonded to inner door, red stitching	Suedetex	A138V4150S	1
10az	Trim Panel, interior door pull recess, LH	Bonded to inner door yellow stitching	Suedetex	A138V4151S	1
10bz	Trim Panel, interior door pull recess, RH	Bonded to inner door yellow stitching	Suedetex	A138V4152S	1



Function Code 15.13 Front Door Trims

<u>Dep</u>	<u>Part Description</u>	<u>Remarks</u>	<u>Option</u>	<u>Part Number</u>	<u>Qty</u>
10cz	Trim Panel, interior door pull recess, LH	Bonded to inner door, silver stitching	Suedetex	A138V4153S	1
10dz	Trim Panel, interior door pull recess, RH	Bonded to inner door, silver stitching	Suedetex	A138V4154S	1



EXIGE

15.18

Updated 1st July 2013

Service Parts List

EXIGE



Function Code 15.18 Interior Trim, Chassis Trim Panels

<u>Dep</u>	<u>Part Description</u>	<u>Remarks</u>	<u>Option</u>	<u>Part Number</u>	<u>Qty</u>
01	Sill Trim Panel, LH, senosoft, black			A138V4111F	1
01a	Sill Trim Panel, LH		Black leather	A138V4155S	1
01b	Sill Trim Panel, LH		Ash grey leather	A138V4157S	1
01c	Sill Trim Panel, LH		Imperial blue leather	A138V4159S	1
01d	Sill Trim Panel, LH		Venom red leather	A138V4161S	1
01e	Sill Trim Panel, LH		Cocoa brown leather	A138V4163S	1
02	Sill Trim Panel, RH, senosoft, black			A138V4112F	1
02a	Sill Trim Panel, RH		Black leather	A138V4156S	1
02b	Sill Trim Panel, RH		Ash grey leather	A138V4158S	1
02c	Sill Trim Panel, RH		Imperial blue leather	A138V4160S	1
02d	Sill Trim Panel, RH		Venom red leather	A138V4162S	1
02e	Sill Trim Panel, RH		Cocoa brown leather	A138V4164S	1
03	'A' Post Trim Panel, LH, senosoft, black			A138V4113F	1
03a	'A' Post Trim Panel, LH		Black leather	A138V4165S	1
03b	'A' Post Trim Panel, LH		Ash grey leather	A138V4167S	1
03c	'A' Post Trim Panel, LH		Imperial blue leather	A138V4169S	1
03d	'A' Post Trim Panel, LH		Venom red leather	A138V4171S	1
03e	'A' Post Trim Panel, LH		Cocoa brown leather	A138V4173S	1

EXIGE

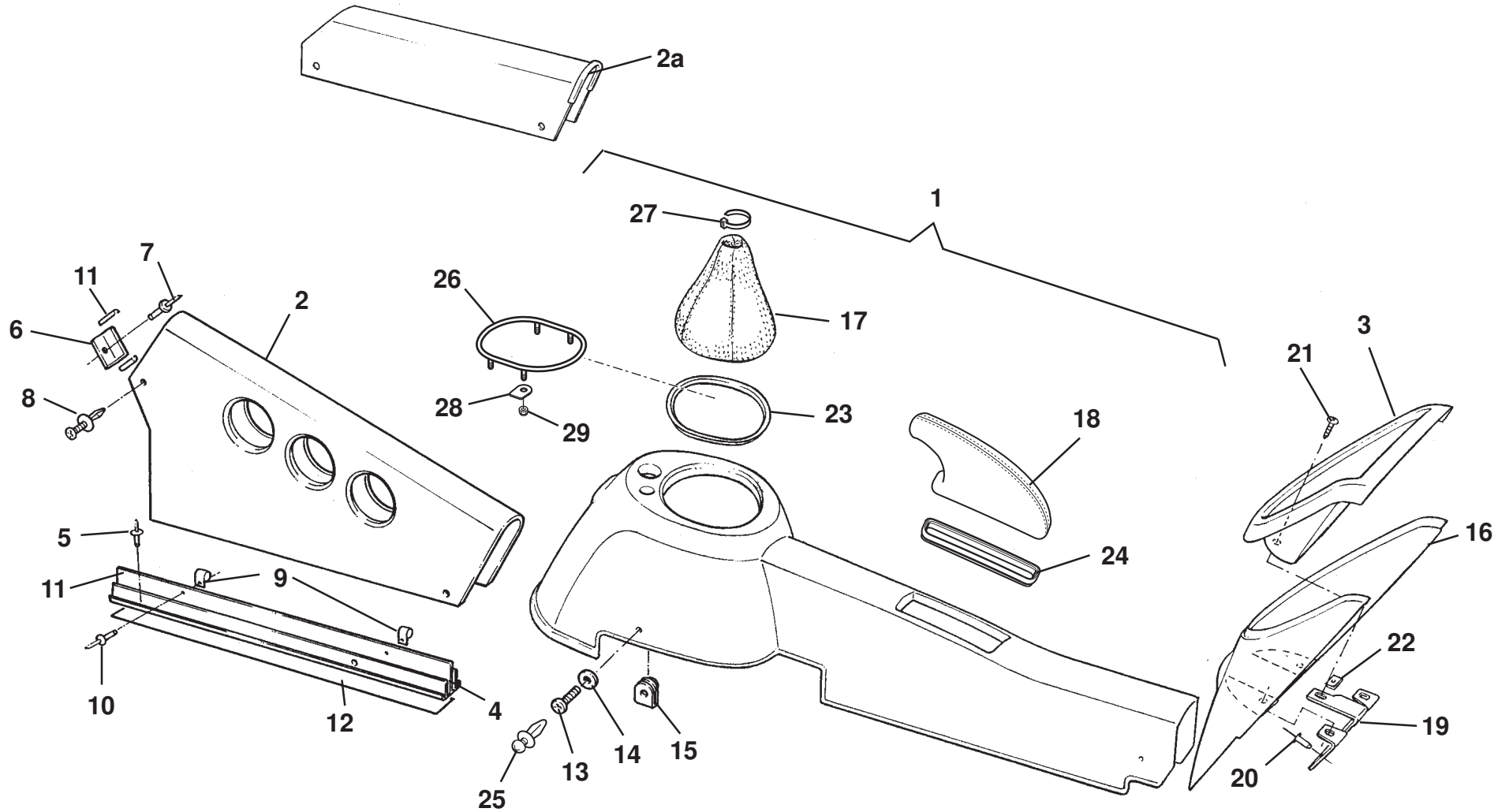
Function Code 15.18 Interior Trim, Chassis Trim Panels

<u>Dep</u>	<u>Part Description</u>	<u>Remarks</u>	<u>Option</u>	<u>Part Number</u>	<u>Qty</u>
04	'A' Post Trim Panel, RH, senosoft, black			A138V4114F	1
04a	'A' Post Trim Panel, RH		Black leather	A138V4166S	1
04b	'A' Post Trim Panel, RH		Ash grey leather	A138V4168S	1
04c	'A' Post Trim Panel, RH		Imperial blue leather	A138V4170S	1
04d	'A' Post Trim Panel, RH		Venom red leather	A138V4172S	1
04e	'A' Post Trim Panel, RH		Cocoa brown leather	A138V4174S	1
05	Cover, 'A' post trim panel aperture, senosoft, black			A138V0165F	1
05a	Cover, 'A' post trim panel aperture		Black leather	A138V0410S	1
05b	Cover, 'A' post trim panel aperture		Ash grey leather	A138V0411S	1
05c	Cover, 'A' post trim panel aperture		Imperial blue leather	A138V0412S	1
05d	Cover, 'A' post trim panel aperture		Venom red leather	A138V0413S	1
05e	Cover, 'A' post trim panel aperture		Cocoa brown leather	A138V0414S	1
06	Bracket, trim to chassis			A121U0033F	2
07	Pop Rivet, bracket to chassis			A075W6071Z	2
08	Screw, self tap. No. 6 x 3/4", panels to bracket			A075W5028Z	4
09	Spirenut, No. 6, panels to bracket	Also in pocket		A075W6014Z	8
10	Screw, self tap. No. 8 x 3/4", panel to dash upper			A075W5074Z	4
11	Screw, self tap. No. 8 x 3/4", switch panel & cover fixing			A075W5074Z	4
12	Clip, 'A' post trim panel retention			A121U0156S	4
13	Switch Panel Housing, sport, senosoft, black			A138V0002F	1
13a	Switch Panel Housing, sport		Black leather	A138V0415S	1



Function Code 15.18 Interior Trim, Chassis Trim Panels

<u>Dep</u>	<u>Part Description</u>	<u>Remarks</u>	<u>Option</u>	<u>Part Number</u>	<u>Qty</u>
13b	Switch Panel Housing, sport		Ash grey leather	A138V0416S	1
13c	Switch Panel Housing, sport		Imperial blue leather	A138V0417S	1
13d	Switch Panel Housing, sport		Venom red leather	A138V0418S	1
13e	Switch Panel Housing, sport		Cocoa brown leather	A138V0419S	1
14	Grommet Blanking 35.9mm, unused USB hole			A138W6009F	1
15	Mat, 'A' post pocket	Requires double sided tape sourced locally to secure it		A121V0005K	2
16	Screw, No.6 x 0.5", flg. hd. S/S black,sill trim panel			A089W5138F	2



EXIGE

15.19

Updated 1st July 2013

Service Parts List

EXIGE



Function Code 15.19 Centre Tunnel Trim, Gear Lever Gaiters/Shrouds

<u>Dep</u>	<u>Part Description</u>	<u>Remarks</u>	<u>Option</u>	<u>Part Number</u>	<u>Qty</u>
01	Centre Console, LHD	Includes gaiters	Black leather	A120V0427J	1
01a	Centre Console, RHD	Includes gaiters	Black leather	A120V0428J	1
01c	Centre Console, LHD	Includes gaiters	Ivory white leather	A120V4099S	1
01d	Centre Console, RHD	Includes gaiters	Ivory white leather	A120V4100S	1
01e	Centre Console, LHD	Includes gaiters	Venom red leather	A120V4101S	1
01f	Centre Console, RHD	Includes gaiters	Venom red leather	A120V4102S	1
01g	Centre Console, LHD	Includes gaiters	Ash gray leather	A120V4103S	1
01h	Centre Console, RHD	Includes gaiters	Ash gray leather	A120V4104S	1
01i	Centre Console, LHD	Includes gaiters	Cognac brown leather	A120V4105S	1
01j	Centre Console, RHD	Includes gaiters	Cognac brown leather	A120V4106S	1
01k	Centre Console, LHD	Includes gaiters	Cocoa brown leather	A120V4107S	1
01l	Centre Console, RHD	Includes gaiters	Cocoa brown leather	A120V4108S	1
01m	Centre Console, LHD	Includes gaiters	Imperial blue leather	A120V4109S	1
01n	Centre Console, RHD	Includes gaiters	Imperial blue leather	A120V4110S	1
01o	Centre Console, LHD	Includes gaiters, Red stitching	Black leather	A138V4223S	1
01p	Centre Console, RHD	Includes gaiters, Red stitching	Black leather	A138V4224S	1
01q	Centre Console, LHD	Includes gaiters, Yellow stitching	Black leather	A138V4225S	1
01r	Centre Console, RHD	Includes gaiters, Yellow stitching	Black leather	A138V4226S	1

EXIGE

Function Code 15.19 Centre Tunnel Trim, Gear Lever Gaiters/Shrouds

<u>Dep</u>	<u>Part Description</u>	<u>Remarks</u>	<u>Option</u>	<u>Part Number</u>	<u>Qty</u>
01s	Centre Console, LHD	Includes gaiters, Silver stitching	Black leather	A138V4227S	1
01t	Centre Console, RHD	Includes gaiters, Silver stitching	Black leather	A138V4228S	1
01u	Centre Console, LHD	Includes gaiters, Black stitching	Suedetex	A138V4229S	1
01v	Centre Console, RHD	Includes gaiters, Black stitching	Suedetex	A138V4230S	1
01w	Centre Console, LHD	Includes gaiters, Red stitching	Suedetex	A138V4231S	1
01x	Centre Console, RHD	Includes gaiters, Red stitching	Suedetex	A138V4232S	1
01y	Centre Console, LHD	Includes gaiters, Yellow stitching	Suedetex	A138V4233S	1
01z	Centre Console, RHD	Includes gaiters, Yellow stitching	Suedetex	A138V4234S	1
01az	Centre Console, LHD	Includes gaiters, Silver stitching	Suedetex	A138V4235S	1
01bz	Centre Console, RHD	Includes gaiters, Silver stitching	Suedetex	A138V4236S	1
01cz	Centre Console, LHD	Includes gaiters	Cloth	A120V0417J	1
01dz	Centre Console, RHD	Includes gaiters	Cloth	A120V0418K	1
02	Cover, tunnel front, parallel, LHD	Alloy	LHD	A111A0106F	1
02a	Cover, tunnel front, parallel, RHD	Alloy	RHD	A120V0420K	1
03	Console/Stowage Pocket, black, rear upper			A120U0014F	1
04	Mounting Bracket, front tunnel to floor			A120V0421K	1
05	Blind Rivet, tunnel mount fix.			A111W6613F	4
06	Mounting Bracket, front tunnel to toeboard			B111A0069F	1
07	Pop Rivet, 3/16" x 9/16", bracket fix.			A082W6243F	1
08	Plastic Fastener, tunnel fix.			A082W6505F	5
09	'P' Clip, harness retention			A082W5457F	2



Function Code 15.19 Centre Tunnel Trim, Gear Lever Gaiters/Shrouds

<u>Dep</u>	<u>Part Description</u>	<u>Remarks</u>	<u>Option</u>	<u>Part Number</u>	<u>Qty</u>
10	Pop Rivet, 'P' clip fix.			A075W6087Z	2
11	Edging Strip, harness protection			B075U6054V	0.16M
12	Tape, double sided, tunnel mount to floor			B075U6070V	0.55M
13	Screw, pan hd., torx, cover fix.			A117F6001F	2
14	Washer, flat, M4 x 9, cover fix.			A082W4099F	2
15	Spire Nut, plastic, cover fix.			A117F6000F	2
16	Console, rear lower, silver			B120U0013F	1
16a	Console, rear lower, Black leather			A120V0355S	1
16b	Console, rear lower, Ivory white leather			A120V0494S	1
16c	Console, rear lower, Venom red leather			A120V0495S	1
16d	Console, rear lower, Ash grey leather			A120V0496S	1
16e	Console, rear lower, Cognac brown leather			A120V0497S	1
16f	Console, rear lower, Cocoa brown leather			A120V0498S	1
16g	Console, rear lower, Imperial blue leather			A120V0499S	1
16h	Console, rear lower, Suedetex			A138V0420S	1
16i	Console, rear lower, cloth			A120V0492S	1
17	Gaiter Gear Shift	Black stitching	Black leather	A120V0419K	1
17a	Gaiter Gear Shift	Red stitching	Black leather	A138V0421S	1
17b	Gaiter Gear Shift	Yellow stitching	Black leather	A138V0422S	1
17c	Gaiter Gear Shift	Silver stitching	Black leather	A138V0423S	1
17d	Gaiter Gear Shift		Ivory white leather	A138V0424S	1



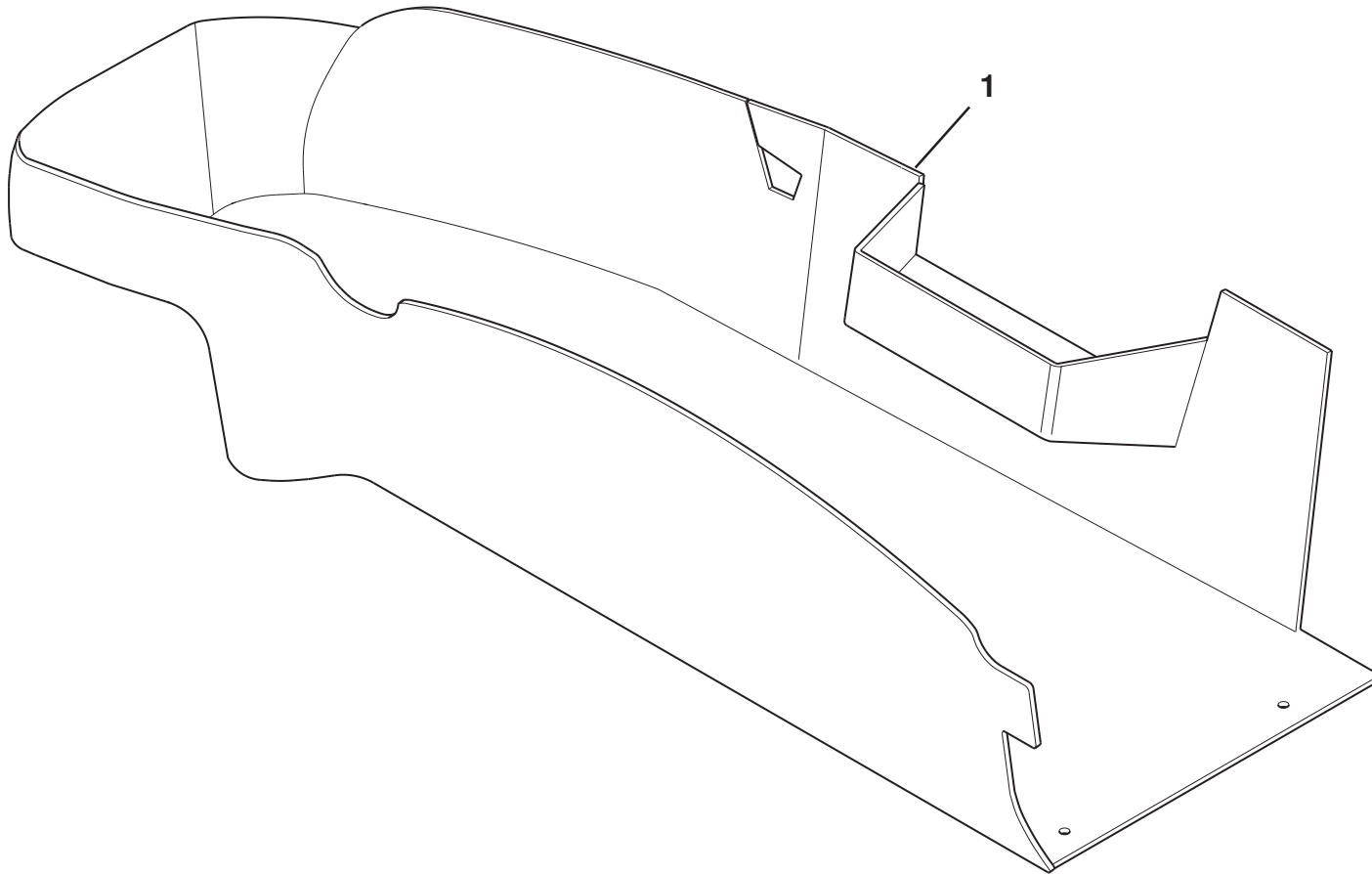
Function Code 15.19 Centre Tunnel Trim, Gear Lever Gaiters/Shrouds

Dep	Part Description	Remarks	Option	Part Number	Qty
17e	Gaiter Gear Shift		Venom red leather	A138V0425S	1
17f	Gaiter Gear Shift		Cognac brown leather	A138V0426S	1
17g	Gaiter Gear Shift		Cocoa brown leather	A138V0427S	1
17h	Gaiter Gear Shift		Ash gray leather	A138V0428S	1
17i	Gaiter Gear Shift		Imperial blue leather	A138V0429S	1
17j	Gaiter Gear Shift	Black stitching	Suedetex	A138V0430S	1
17k	Gaiter Gear Shift	Red stitching	Suedetex	A138V0431S	1
17l	Gaiter Gear Shift	Yellow stitching	Suedetex	A138V0432S	1
17m	Gaiter Gear Shift	Silver stitching	Suedetex	A138V0433S	1
18	Gaiter Parking Brake	Black stitching	Black leather	A120V0412K	1
18a	Gaiter Parking Brake	Red stitching	Black leather	A138V0434S	1
18b	Gaiter Parking Brake	Yellow stitching	Black leather	A138V0435S	1
18c	Gaiter Parking Brake	Silver stitching	Black leather	A138V0436S	1
18d	Gaiter Parking Brake		Ivory white leather	A138V0437S	1
18e	Gaiter Parking Brake		Venom red leather	A138V0438S	1
18f	Gaiter Parking Brake		Cognac brown leather	A138V0439S	1
18g	Gaiter Parking Brake		Cocoa brown leather	A138V0440S	1
18h	Gaiter Parking Brake		Ash gray leather	A138V0441S	1
18i	Gaiter Parking Brake		Imperial blue leather	A138V0442S	1
18j	Gaiter Parking Brake	Black stitching	Suedetex	A138V0443S	1
18k	Gaiter Parking Brake	Red stitching	Suedetex	A138V0444S	1



Function Code 15.19 Centre Tunnel Trim, Gear Lever Gaiters/Shrouds

<u>Dep</u>	<u>Part Description</u>	<u>Remarks</u>	<u>Option</u>	<u>Part Number</u>	<u>Qty</u>
18l	Gaiter Parking Brake	Yellow stitching	Suedetex	A138V0445S	1
18m	Gaiter Parking Brake	Silver stitching	Suedetex	A138V0446S	1
19	Bracket, console rear to chassis			A120U0028F	1
20	Pop Rivet, bracket to chassis			A111W6613F	3
21	Screw, No. 6 x 3/8", flg. pozi., console to bracket			A075W5019F	3
22	Spirenut, No. 6, console to bracket			A075W6014F	3
23	Bezel, gear lever			B120V0415F	1
24	Bezel, parking brake gaiter			B120V0410F	1
25	Scrivet, cover fix		Premium carpet	A120W6488F	2
26	Retainer Gear Shift Gaiter			A138V0218F	1
27	Cable Tie, gaiter to gearknob			A075W6038Z	1
28	Plate			A138V0292F	4
29	Nyloc Nut, M3			A079W3060F	4



EXIGE

15.24

Service Parts List

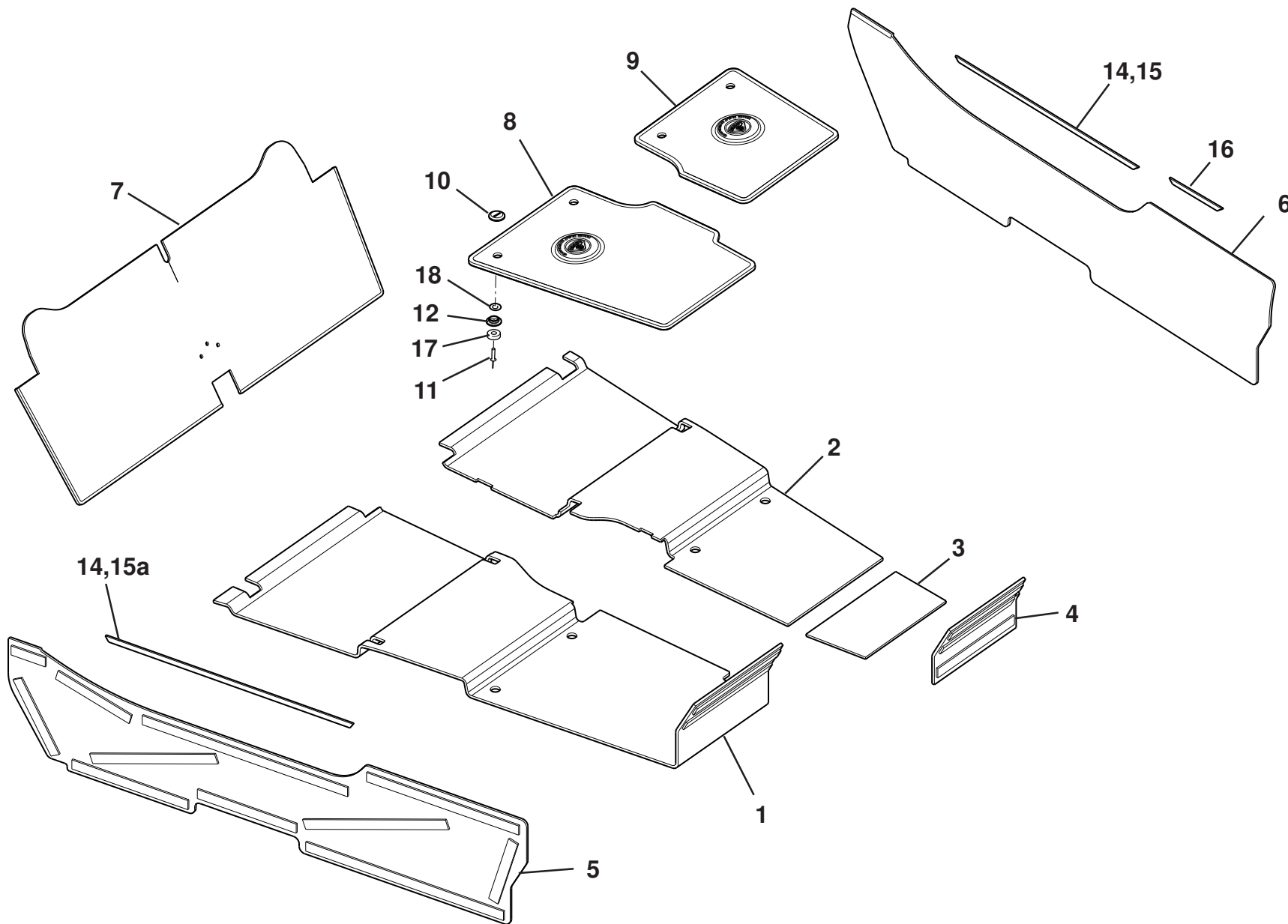
EXIGE



Function Code 15.24 Luggage Compartment Carpet

<u>Dep</u>	<u>Part Description</u>	<u>Remarks</u>	<u>Option</u>	<u>Part Number</u>	<u>Qty</u>
01	Boot Carpet			A138V0222F	1

EXIGE



EXIGE

15.30

Updated 1st May 2013

Service Parts List

EXIGE



Function Code 15.30 Carpeting & Mats

<u>Dep</u>	<u>Part Description</u>	<u>Remarks</u>	<u>Option</u>	<u>Part Number</u>	<u>Qty</u>
01	Carpet Driver RH RHD			A138V0275F	1
01a	Carpet Driver LH LHD			A138V0285F	1
02	Carpet Passenger LH RHD			A138V0276F	1
02a	Carpet Passenger RH LHD			A138V0286F	1
03	Carpet Passenger footrest RHD			A138V0277F	1
03a	Carpet Passenger footrest LHD			A138V0571H	1
04	Carpet Passenger bulkhead RHD			A138V0278F	1
04a	Carpet Passenger bulkhead LHD			A138V0287F	1
05	Carpet Sill Driver RHD			A138V0279F	1
05a	Carpet Sill Driver LHD			A138V0288F	1
06	Carpet Sill Passenger RHD			A138V0280F	1
06a	Carpet Sill Passenger LHD			A138V0289F	1
07	Carpet Rear Bulkhead			A138V0283F	1
08	Front Floor Mat Driver, LHD, base	No emblem		A120V0060K	1
008a	Front Floor Mat Driver, RHD, base	No emblem		A120V0058K	1
008b	Front Floor Mat Driver, LHD, premium	With emblem		A138V0290F	1
008c	Front Floor Mat Driver, RHD, premium	With emblem		A138V0281F	1
09	Front Floor Mat Passenger, LHD, base	No emblem		A120V0061K	1

EXIGE

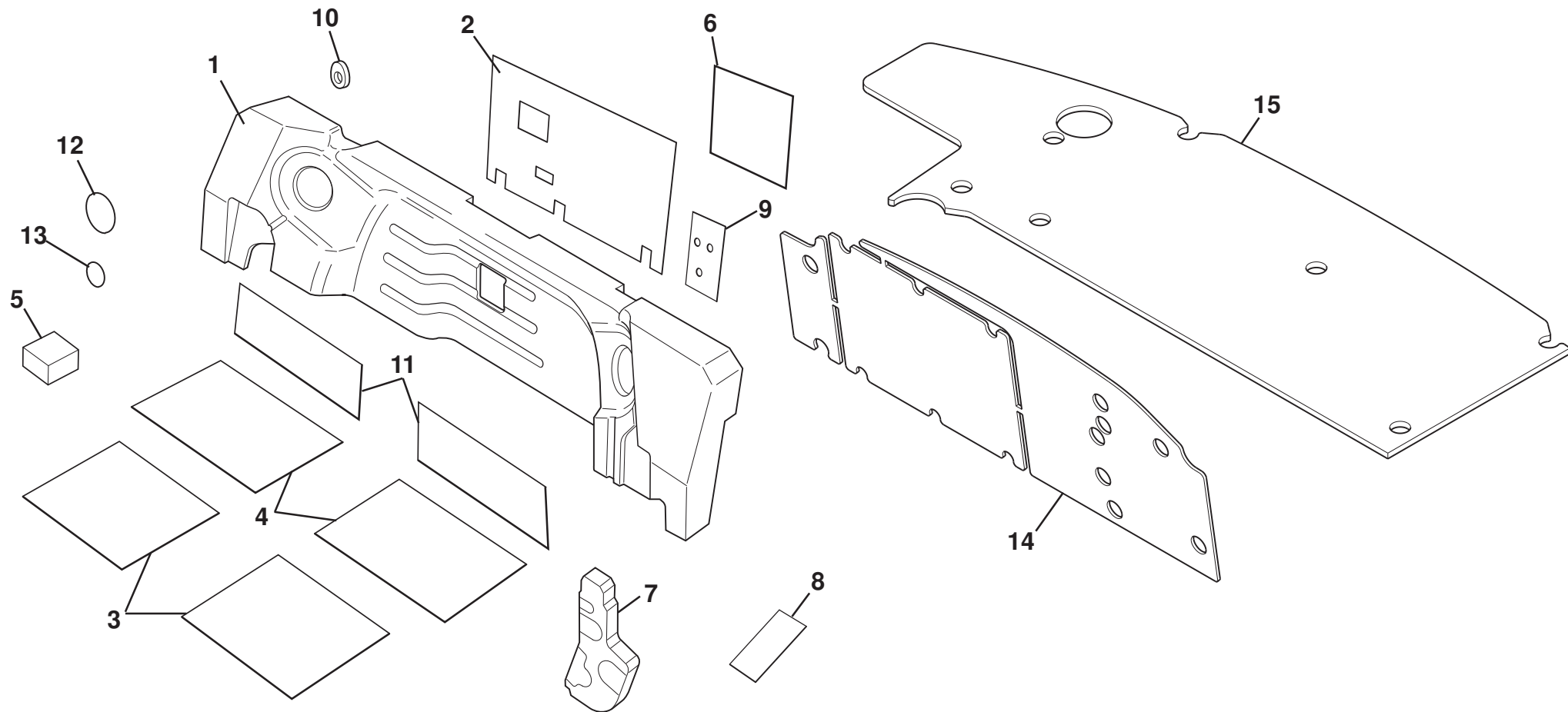
Function Code: 15.30, Page: 1

Updated 1st July 2013

Function Code 15.30 Carpeting & Mats

<u>Dep</u>	<u>Part Description</u>	<u>Remarks</u>	<u>Option</u>	<u>Part Number</u>	<u>Qty</u>
09a	Front Floor Mat Passenger, RHD, base	No emblem		A120V0059K	1
09b	Front Floor Mat Passenger, LHD, premium	With emblem		A138V0291F	1
09c	Front Floor Mat Passenger, RHD, premium	With emblem		A138V0282F	1
10	Carpet Fixing Upper long, black, male, footwell carpet			A124V0054F	4
11	Carpet Fixing Lower, black, female, footwell carpet			A124V0055F	4
12	Pop Rivet, fixing to floor			A111W6574F	4
12a	Pop Rivet, fixing to floor	When secondary floor fitted	Premium mats	A089W6297F	4
13	Washer, flat, M5 x 10, fixing to floor			A075W4011F	4
14	Finisher Strip RHD driver and passenger			C117U0430F	2
15	Finisher Strip, LHD driver			A138V0325F	1
15a	Finisher Strip, LHD passenger			C117U0430F	1
16	Finisher Strip Extension, LHD driver			A138V0326F	1
17	Spacer	When secondary floor fitted To be confirmed	Premium mats	A138V0507F	4
18	Washer Flat 5 x 10 x 8			A075W4000Z	4
19	Pop Rivet, fixing to bulkhead			A111W6613F	2





EXIGE

16.01

Updated 16th July 2012

Service Parts List

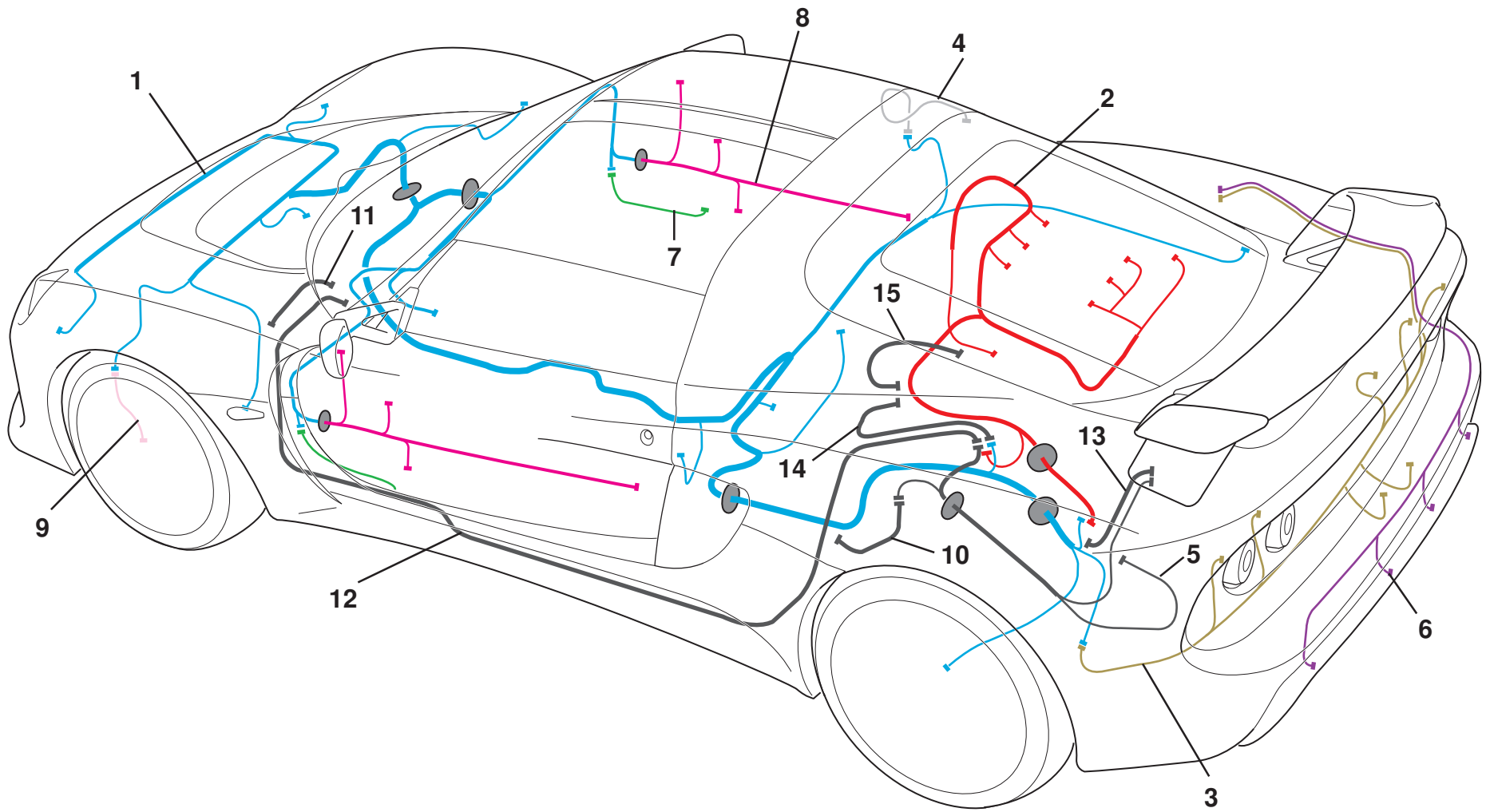
EXIGE



Function Code 16.01 Passenger Compartment Sound Insulation

<u>Dep</u>	<u>Part Description</u>	<u>Remarks</u>	<u>Option</u>	<u>Part Number</u>	<u>Qty</u>
01	NVH Foam Panel, bulkhead		NVH pack	A120V0003K	1
02	Sheet Damping, bulkhead		NVH pack	A117V0511F	1
03	Sheet Damping, footwell		NVH pack	A117B0558F	2
04	Sheet Damping, seats		NVH pack	A116V0309F	2
05	NVH Foam, steering column		NVH pack	A117V0532Z	1
06	Insulation Alarm Sensor, RF shield	Self adhesive foil		A121B0134F	1
07	NVH Foam, bodyside front		NVH pack	B120B0074F	1
08	Tape, Tessaband 4661, sill holes covering		NVH pack	A116V6008F	1.2M
09	NVH Mat, rear bulkhead, purge valve		NVH pack	A120V0136F	1
10	Seal, Seat Belt Anchor Frame to bulkhead		NVH pack	A120B0207F	2
11	NVH Mat, inner tank bay panel		NVH pack	A116V0120F	2
12	Blanking Patch, scuttle beam holes, 38mm dia,		NVH pack	A116A0184F	10
13	Blanking Patch, scuttle beam holes, 20mm dia.		NVH pack	A111V0206F	9
14	Insulation Kit Boot Wall			B138B0028F	1
15	Insulation Boot Floor			C138B0029F	1

EXIGE



EXIGE

17.01

Updated 1st July 2013

Service Parts List

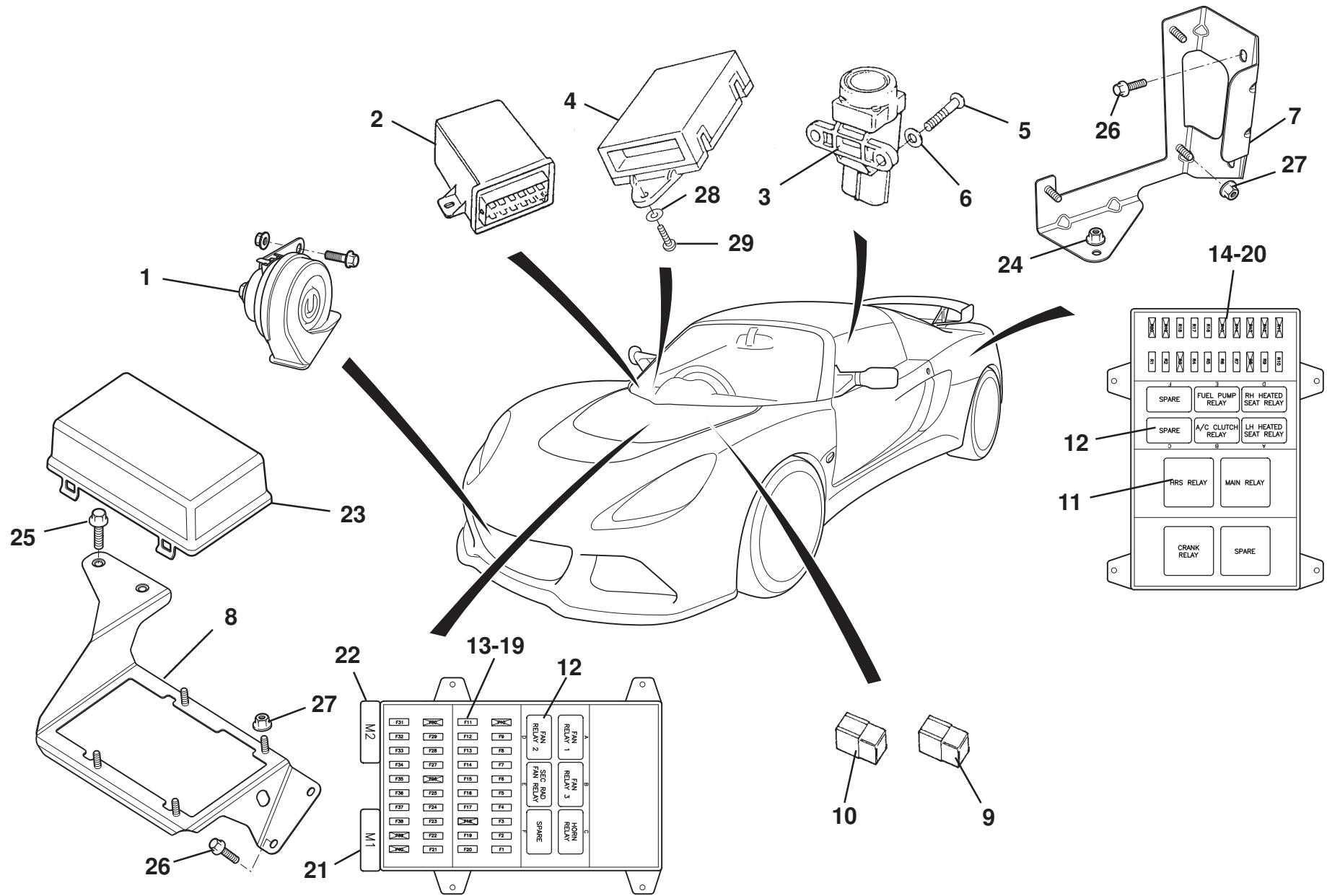
EXIGE



Function Code 17.01 Harnesses, Leads

<u>Dep</u>	<u>Part Description</u>	<u>Remarks</u>	<u>Option</u>	<u>Part Number</u>	<u>Qty</u>
01	Harness Main Manual			D138M0001F	1
02	Harness Engine V6			H132M0002F	1
03	Harness Rear Euro			B138M0004F	1
04	Harness Tailgate			B138M0003F	1
05	Harness Battery	See also 17.31		A138M0012F	1
06	Harness Parking Aid			B138M0028F	1
07	Harness Courtesy Switch Jumper			A138M0032F	2
08	Harness Door			E117M0118F	2
09	Lead Extension, wheel speed sensor front suspension			A120M6046F	2
10	Cable, Gearbox to chassis earth			A138M0015F	1
11	Cable, CDL power up (negative)	(front services compartment)		B122M0012F	1
12	Cable, front positive stud to rear positive stud	See also 17.31		A138M0013F	1
13	Battery Negative Cable, ECU plate to battery	See also 17.31		A138M0016F	1
14	Cable, rear positive stud to starter motor	See also 17.31		A138M0014F	1
15	Cable, engine to starter earth				1

EXIGE



EXIGE

17.03

Updated 31st May 2013

Service Parts List

EXIGE



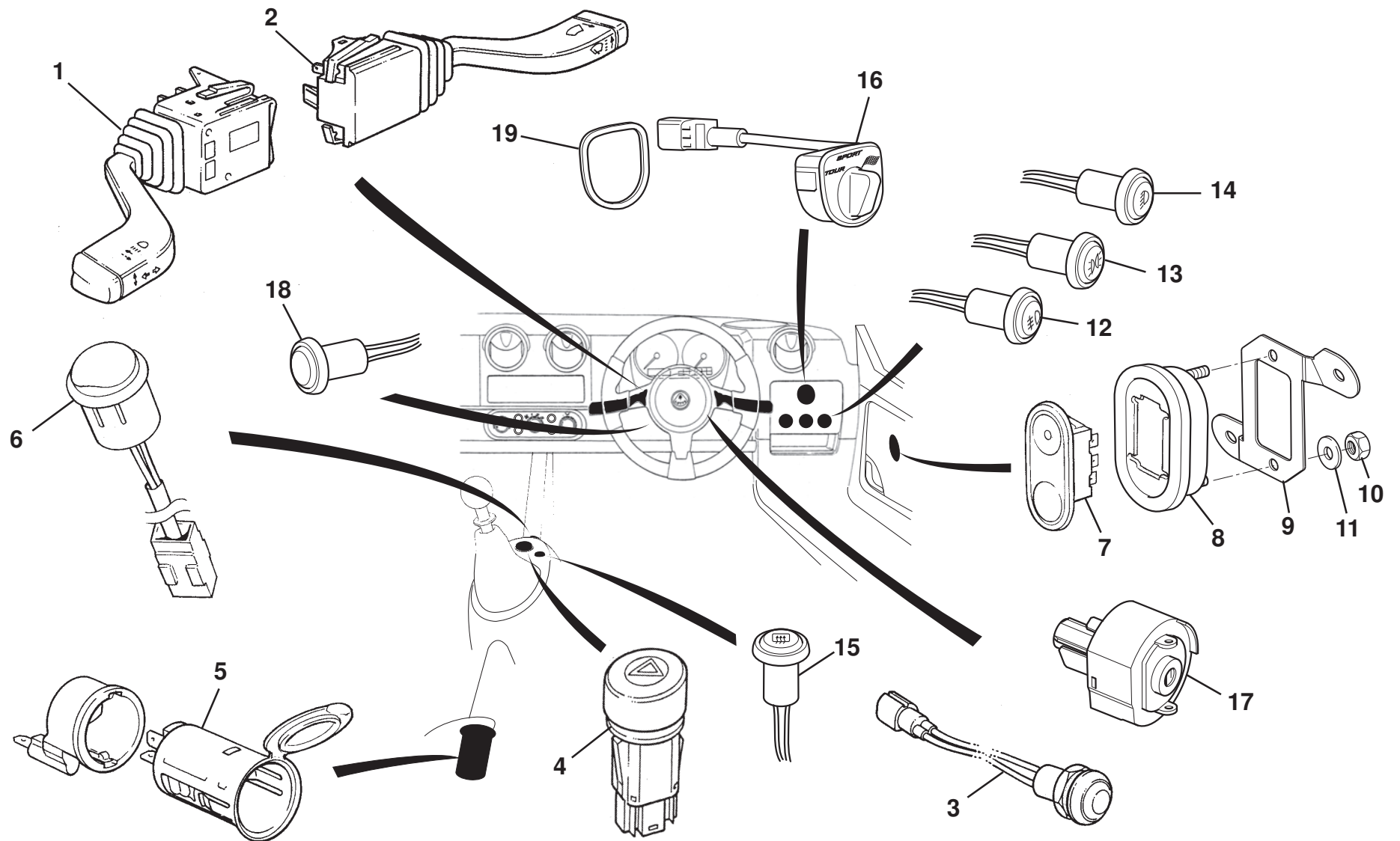
Function Code 17.03 Horn, Inertia Switch, Modules, Fuses & Relays

<u>Dep</u>	<u>Part Description</u>	<u>Remarks</u>	<u>Option</u>	<u>Part Number</u>	<u>Qty</u>
01	Horn 'High ' Note			A120B6076F	1
02	Module, central door locking, PFK			A132M0118F	1
03	Inertia switch			A082M6598F	1
04	Switch Controller			D117M0008F	1
05	Screw, M5 x 16, pan hd. pozi.			A082W5107F	2
06	Washer, flat, M5 x 10 x 1.0			A075W4011Z	7
07	Bracket, fuse box rear			A138M0018F	1
08	Bracket, fuse box front LH, RHD			A138M4003F	1
08a	Bracket, fuse box front RH. LHD			A138M4004F	1
09	Module, wiper delay	Located in footwell		A082M6457F	1
10	Module, flasher unit	LED front indicators	Non USA/Canada	A120M0056F	1
11	Relay, single contact changeover 30A	Heated Rear Screen, Main, Start		C079M6141F	3
12	Relay, single contact c-o micro	Fan 1 2 3, Horn, Rad Fan, F/Pump, H/Seat, A/C Clutch		A132M6002F	9
13	Fuse, 3A, violet	See Service Notes, section MP		A082M6243F	1
14	Fuse, 2A, grey	See Service Notes, section MP		A082M6316F	3
15	Fuse, 20A, yellow	See Service Notes, section MP		A082M6249F	8
16	Fuse, 5A, orange	See Service Notes, section MP		A082M6245F	8
17	Fuse, 7.5A, brown	See Service Notes, section MP		A082M6246F	9

EXIGE

Function Code 17.03 Horn, Inertia Switch, Modules, Fuses & Relays

<u>Dep</u>	<u>Part Description</u>	<u>Remarks</u>	<u>Option</u>	<u>Part Number</u>	<u>Qty</u>
18	Fuse, 10A, red	See Service Notes, section MP		A082M6247F	11
19	Fuse, 15A, light blue	See Service Notes, section MP		A082M6248F	4
20	Fuse, 25A, clear	See Service Notes, section MP		A082M6250F	1
21	Maxi Fuse 40A, orange	See Service Notes, section MP		Not available	1
22	Maxi Fuse 25A, black	See Service Notes, section MP		Not available	1
23	Fuse Box Cover			A138M6005F	1
24	Nut Nyloc M5, fuse box bracket			A132W3000F	1
25	Screw M8 x 20 hex flg, fuse box bracket			A132W5005F	2
26	Screw M6 x 16, hex flange, fuse box brackets			A132J6025F	4
27	Nut M6, hex flg, fuse box bracket			A117W3180F	7
28	Screw-M4 x 12 pan pozi			A100W5143F	2
29	Washer, flat, M4 x 9 x 0.8			A082W4099F	2



EXIGE

17.05

Updated 27th September 2012

Service Parts List

EXIGE



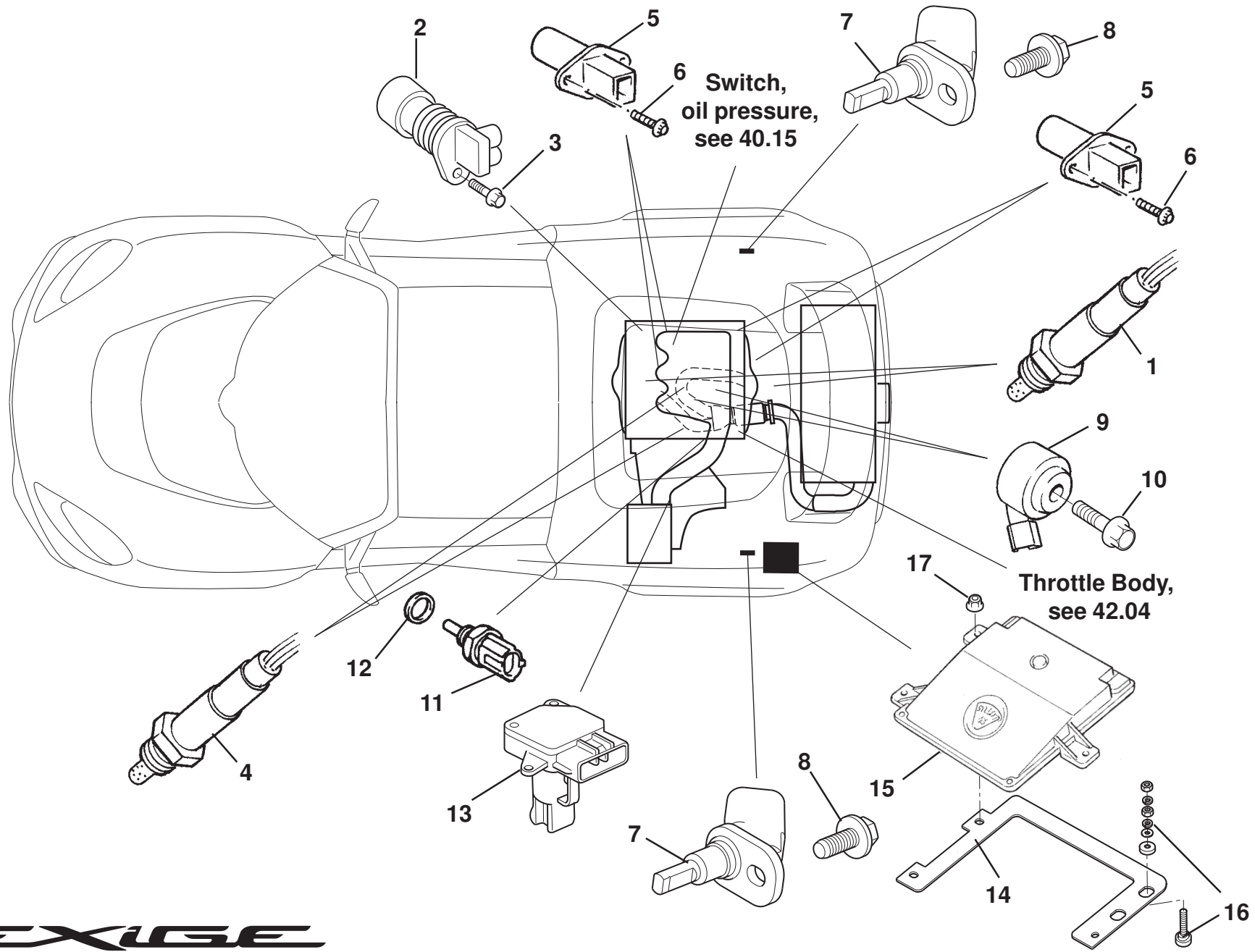
Function Code 17.05 Interior Switches, Auxiliary Power Socket

<u>Dep</u>	<u>Part Description</u>	<u>Remarks</u>	<u>Option</u>	<u>Part Number</u>	<u>Qty</u>
01	Column Switch, LH, indicators/dip/flash			A100M6048F	1
01a	Column Switch, LH, indicators/dip/flash		Cruise control	A126M6010F	1
02	Column Switch, RH, windscreen wipe/wash			A100M6049F	1
03	Switch, panel light dimmer/trip reset			B117M0048F	1
04	Switch, hazard			A340M6016F	1
05	Auxiliary Power Socket			A117M6024F	1
06	Switch, central door locking			A117M0124F	1
07	Switch, window lift			A117M6064F	2
08	Bezel Assembly, window lift switch			A138V0008J	2
09	Bracket, switch bezel LH			A138V4067F	1
09a	Bracket, switch bezel RH			A138V4068F	1
10	Nyloc Nut, M4, backplate to trim panel			A075W3049F	4
11	Washer, flat, M4 x 9, backplate to trim panel			A082W4099F	4
12	Switch, rear fog			A138M0023F	1
13	Switch, side lamps			A138M0024F	1
14	Switch, headlamps			A138M0025F	1
15	Switch, heated rear screen			A138M0005F	1
16	Switch, sport multi position, base			C138M0033F	1

EXIGE

Function Code 17.05 Interior Switches, Auxiliary Power Socket

<u>Dep</u>	<u>Part Description</u>	<u>Remarks</u>	<u>Option</u>	<u>Part Number</u>	<u>Qty</u>
16a	Switch, sport multi position			C138M0007F	1
17	Ignition Switch	Part of upper steering column		A111M6108S	1
18	Switch, exhaust valve			A127M6008F	1
19	Gasket, sport switch			A138M0041F	1



EXIGE

17.06

Updated 1st July 2013

Service Parts List

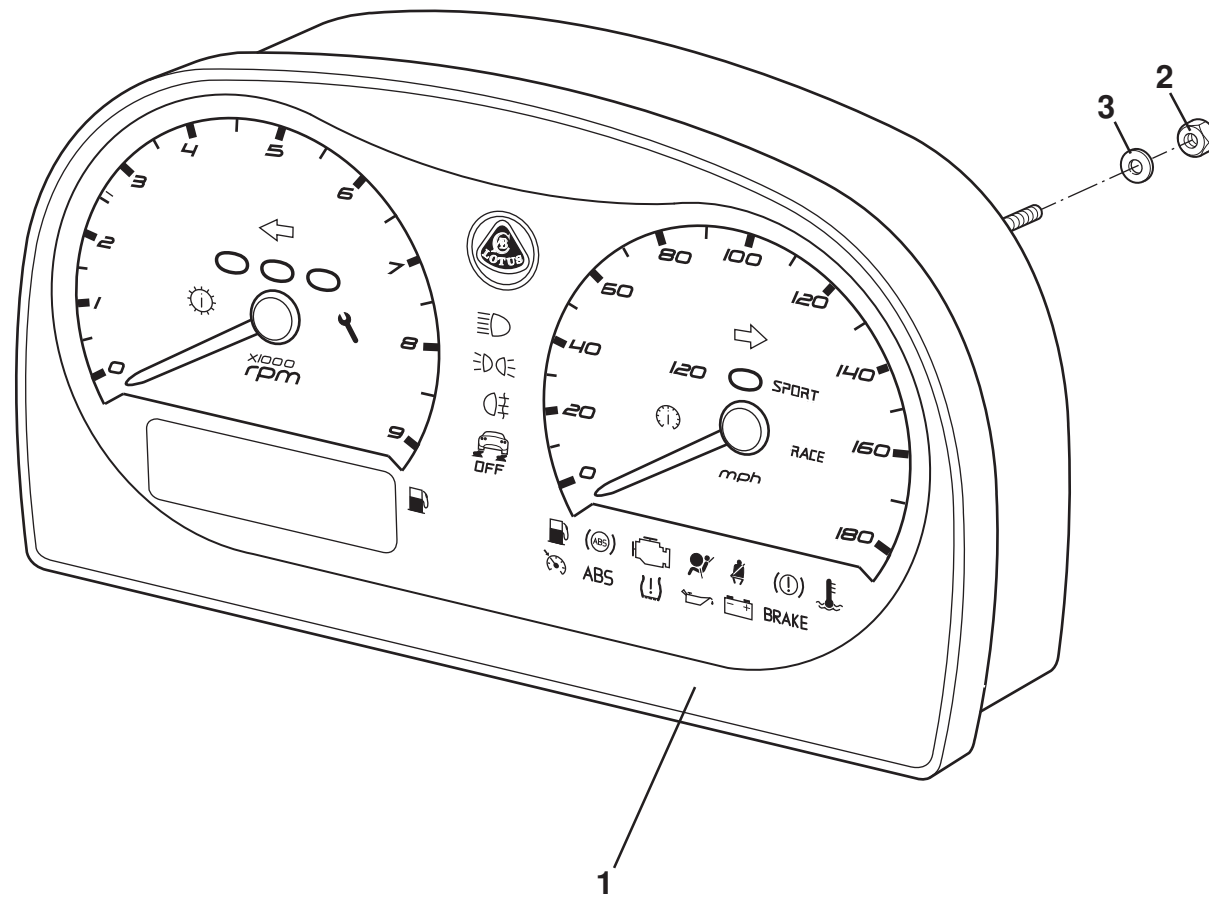
EXIGE



Function Code 17.06 Engine Management & Sensors

<u>Dep</u>	<u>Part Description</u>	<u>Remarks</u>	<u>Option</u>	<u>Part Number</u>	<u>Qty</u>
01	Sensor, oxygen, pre-catalyst			A117E6007F	2
02	Sensor, crankshaft position			A132E6282S	1
03	Bolt, flg. hd., sensor to block			A132E6478S	1
04	Sensor, oxygen, post-catalyst			A117E6007F	2
05	Sensor, camshaft position			A132E6283S	4
06	Bolt, flg. hd., sensor to cam cover			A132E6478S	4
07	Wheel Speed Sensor, rear suspension			A132J6001F	2
08	Bolt, flg. hd.,			A132W5002F	4
09	Sensor, knock control			A132E6298S	2
10	Bolt, flg. hd.,			A132E6469S	2
11	Sensor, coolant temperature			A132E6258S	1
12	Gasket, coolant temperature sensor			A120E6378S	1
13	Meter, air intake flow			A132E6482S	1
14	Bracket ECU			A138E0006F	1
15	Electronic Control Module (ECM) Lotus programmed	Special Order using LSL618, See TSB 2013/01		LOTAC05544	1
15a	Label ECU	2GR 350		A138E0012F	1
16	Binding Post, ECU bracket			A089M6033F	2
17	Nyloc Nut, M5, flg., ECU to bracket			A132W3000F	3

EXIGE



EXIGE

17.07

Updated 1st May 2013

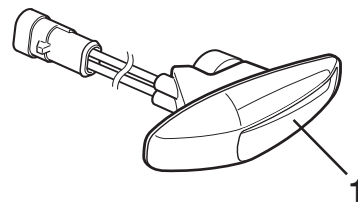
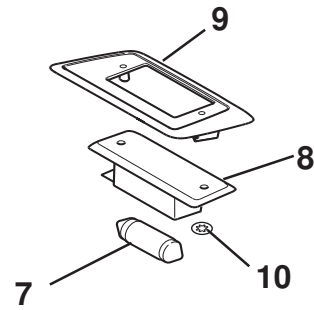
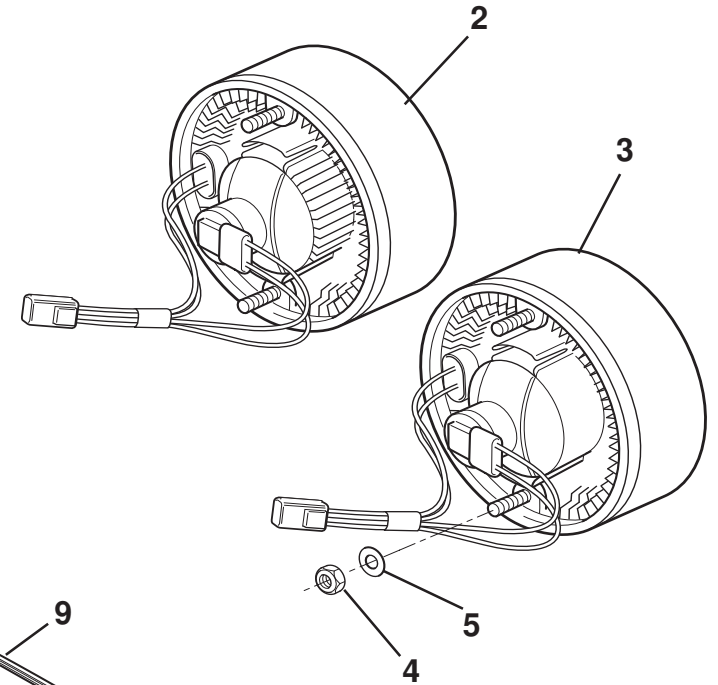
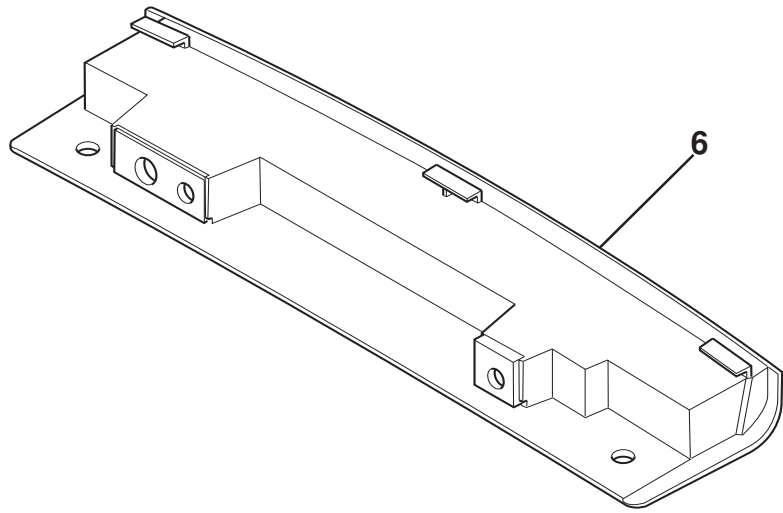
Service Parts List



Function Code 17.07 Instruments, Tell Tales, & Displays

<u>Dep</u>	<u>Part Description</u>	<u>Remarks</u>	<u>Option</u>	<u>Part Number</u>	<u>Qty</u>
1	Instrument Pack, MPH,	Pack needs to be variant coded using TechCentre		C121N0007F	1
1a	Instrument Pack, Km/h,	Pack needs to be variant coded using TechCentre		C121N0008F	1
02	Nut, M4, pack to brackets			A075W3019F	4
03	Washer, flat, M4			A082W4099F	4





EXIGE

17.11

Updated 24th January 2013

Service Parts List

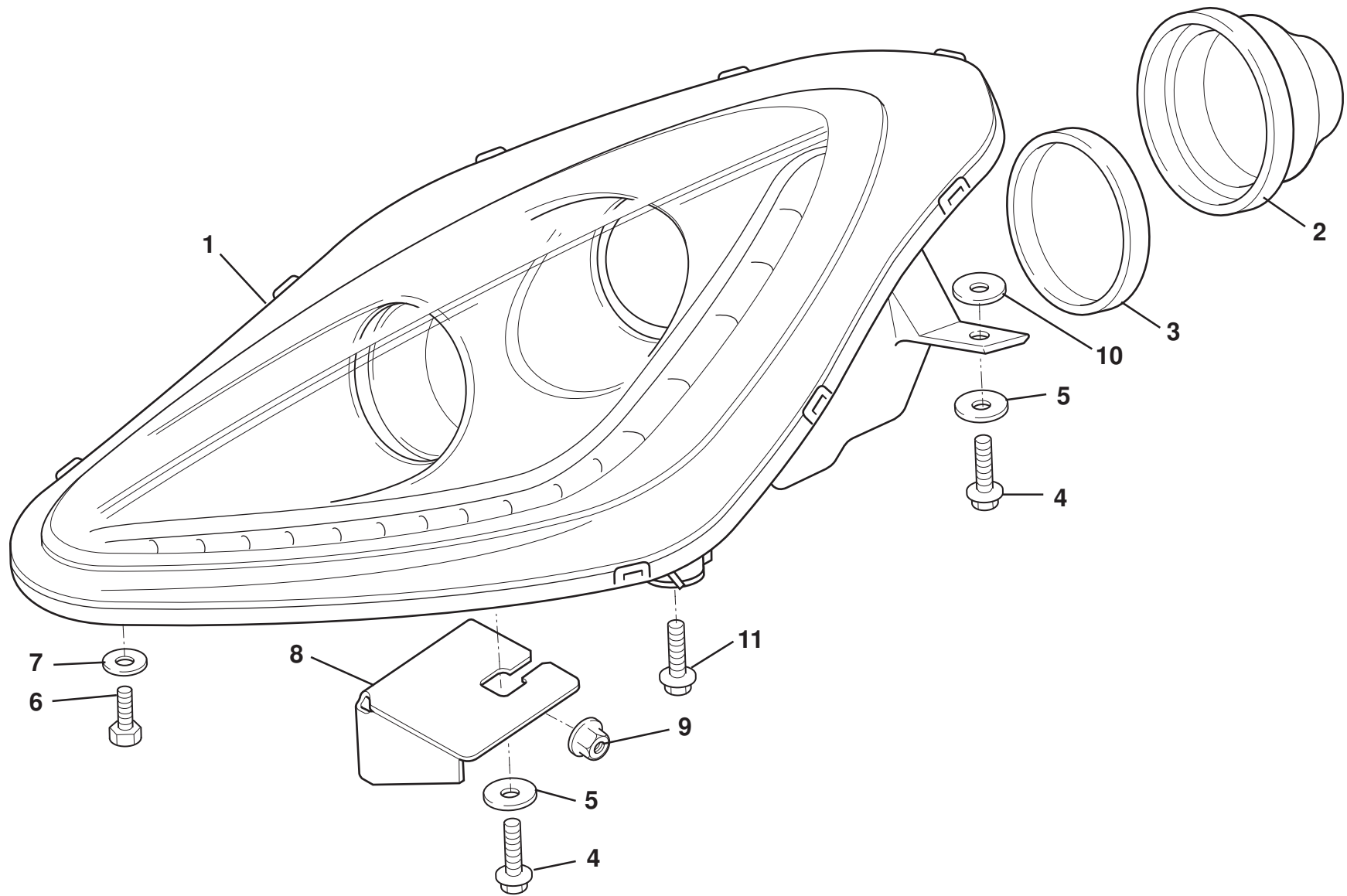
EXIGE



Function Code 17.11 Exterior Lamps, Except Headlamps

<u>Dep</u>	<u>Part Description</u>	<u>Remarks</u>	<u>Option</u>	<u>Part Number</u>	<u>Qty</u>
01	Side Repeater, LH			A138M4001F	1
01a	Side Repeater, RH			A138M4002F	1
02	Lamp, inner, rear fog, reverse, LED	Grey body moulding		B120M0035F	1
03	Lamp, outer, tail. turn, stop/tail, LED	Grey body moulding		B120M0034F	1
04	Nyloc Nut, M5, thin, lamp to body			A100W3113F	8
05	Washer, flat, M5 x 18 x 1.5 S/S, lamp to body			B075W4009Z	8
06	CHMSL			A138M6000F	1
07	Bulb, 12v 5w, license plate			A083M6292F	2
08	Lamp, rear number plate			A138M6002F	2
09	Bezel, licence plate lamp LH	Unpainted		A138B4113F	1
09a	Bezel, licence plate lamp RH	Unpainted		A138B4114F	1
10	Clip Star 9 x 4, bezel to number plate lamp			A138W6000F	4

EXIGE



EXIGE

17.13

Updated 27th february 2013

Service Parts List

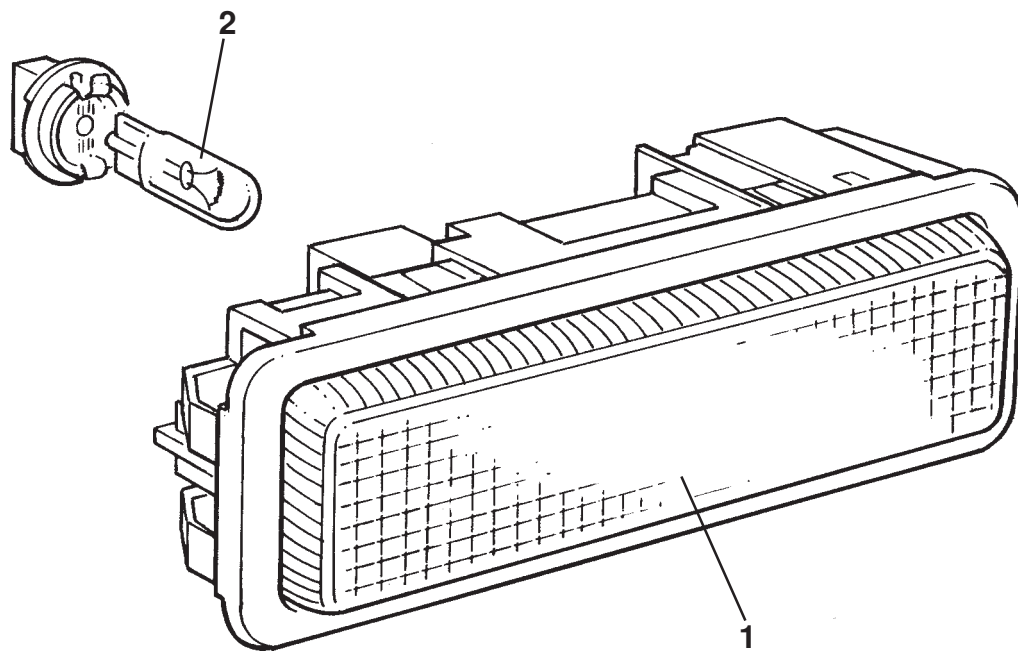
EXIGE



Function Code 17.13 Headlamps

<u>Dep</u>	<u>Part Description</u>	<u>Remarks</u>	<u>Option</u>	<u>Part Number</u>	<u>Qty</u>
01	Headlamp Assembly, LH, RHD			A120M4001F	1
01a	Headlamp Assembly, RH, RHD			A120M4002F	1
01b	Headlamp Assembly, LH, LHD			A120M4003F	1
01c	Headlamp Assembly, RH, LHD			A120M4004F	1
02	Access Cover, rubber, upper, dipped bulb	Part not available separately			2
03	Access Cover, rubber, lower, main bulb	Part not available separately			2
04	Bolt M6 x 14 hex flg, lamp retention			A116W5233F	2
05	Washer Flat M6 x 25 x 1.4, lamp retention			B075W4017Z	2
06	Screw M6 x 12 hex flg, lamp retention			A075W1027F	1
07	Washer Flat M6 x 18 x 1, lamp retention			B082W4018F	4
08	Headlamp Bracket LH			A120B4089F	1
08a	Headlamp Bracket RH			A120B4090F	1
09	Nut M6 hex flg			A117W3180F	4
10	Shim 9 x 28 x 3			A124B0255F	As req.
10a	Shim 9 x 28 x 1 C type			B124B0257F	As req.
11	Bolt M6 x 16 hex flg, lamp retention			A918W5208F	1

EXIGE

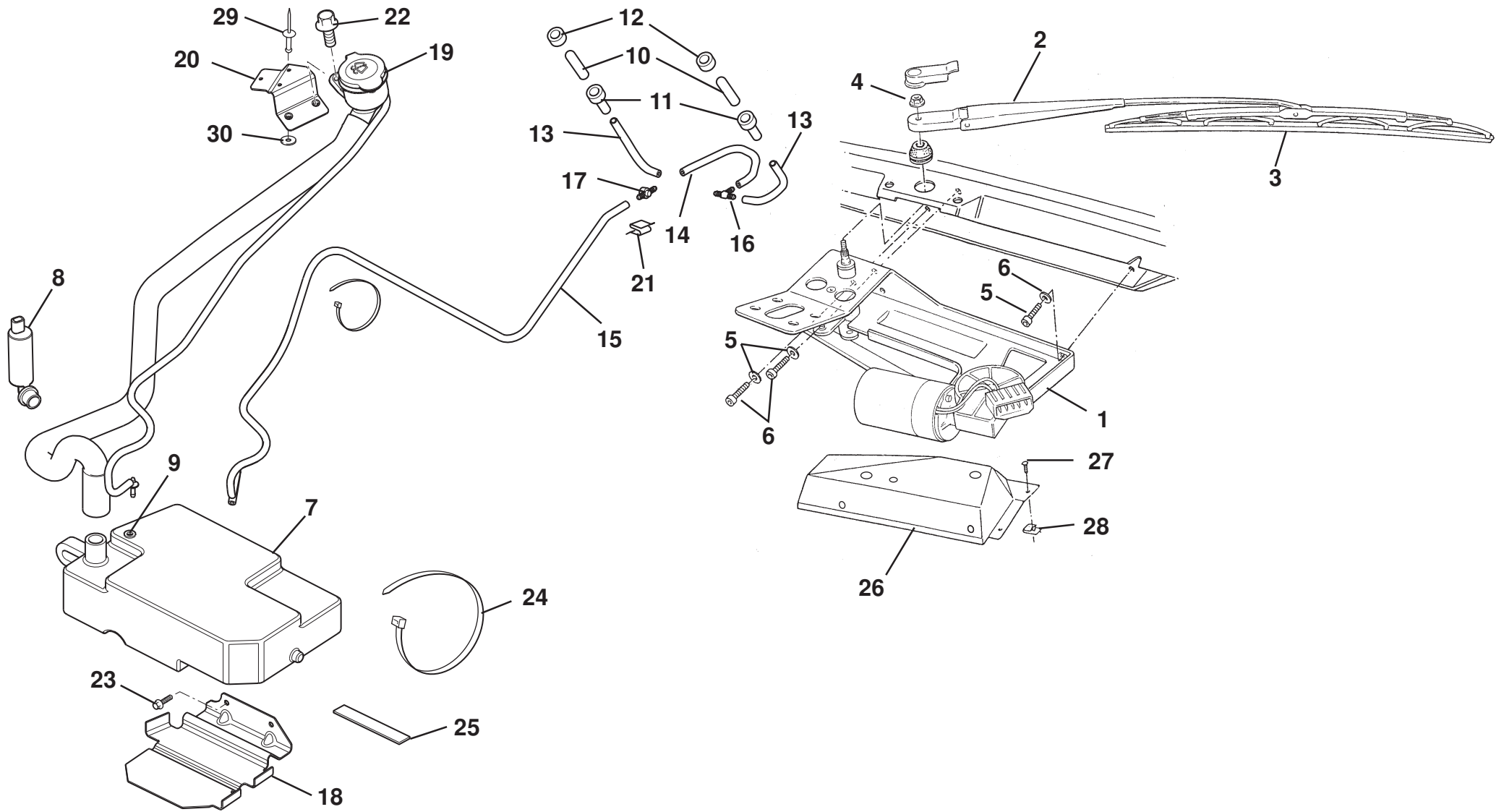


EXIGE

17.17

Function Code 17.17 Interior Lamps

<u>Dep</u>	<u>Part Description</u>	<u>Remarks</u>	<u>Option</u>	<u>Part Number</u>	<u>Qty</u>
01	Interior Lamp			A082M6644F	1
02	Bulb, interior lamp, 5W	Part of bulb & fuse kit		LOTAC05345	1



EXIGE

17.21

Updated 31st May 2013

Service Parts List

EXIGE



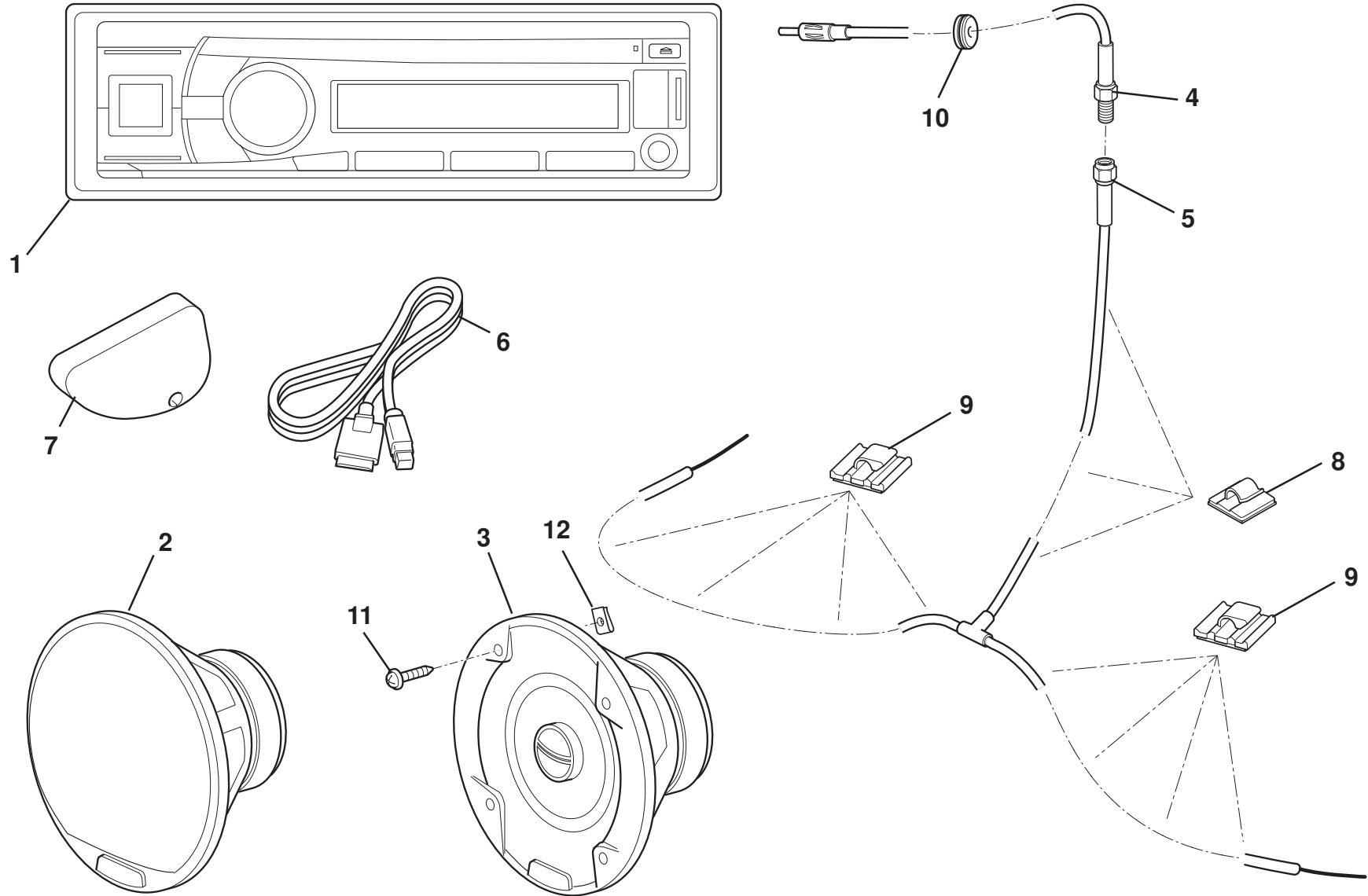
Function Code 17.21 Windscreen Wiper Motor, Wipers & Washers

<u>Dep</u>	<u>Part Description</u>	<u>Remarks</u>	<u>Option</u>	<u>Part Number</u>	<u>Qty</u>
01	Wiper Drive Assembly, RHD			A117M0104F	1
01a	Wiper Drive Assembly, LHD			A117M0103F	1
02	Wiper Arm/Blade Assembly			B121B0057F	1
03	Wiper Blade			B120M0006H	1
04	Flange Nut, M8 x 1.25, arm to spindle			A111W3154F	1
05	Screw, M8 x 20, cap hd., motor bracket to body			A111W7141F	3
06	Washer, M8, spring, motor bracket to body			A075W4036Z	3
07	Washer Bottle Assembly	Includes pump and grommet		A138B0174F	1
08	Pump, screen wash			A138B0175F	1
09	Grommet, washer bottle			A082U6197F	1
10	Windscreen Washer Jet			A120W6796F	2
11	Spacer, washer jet			A111M6046K	2
12	Sleeve, washer jet	Bonded over jet & spacer		A111M0065F	1
13	Tube, 'T' piece to jet	Cut to fit		A116M0040V	As req.
14	Tube, non return vave to 'T' piece	Cut to fit		A116M0040V	As req.
15	Tube, bottle to non return valve	Cut to fit		A116M0040V	As req.
16	'T' piece, washer tubing			A111M6045K	1
17	Valve, non return			A100M6062H	1

EXIGE

Function Code 17.21 Windscreen Wiper Motor, Wipers & Washers

<u>Dep</u>	<u>Part Description</u>	<u>Remarks</u>	<u>Option</u>	<u>Part Number</u>	<u>Qty</u>
18	Bracket, washer bottle mounting			A138B0173F	1
19	Assembly Washer Fill System			A138B0179F	1
20	Bracket, wash fill system			A138B0180F	1
21	Clip, hose to wiper motor bracket			A132U6128F	2
22	Screw M5 x 16 hex flg			A132W5016F	2
23	Screw M6 X 16mm hex flg			A132W5003F	2
24	Tie Wrap			A138W6014F	2
25	Foam Strip 25mm X 12.5mm			A082U6065V	0.40m
26	Wiper Motor Cover RHD			A120B0133F	1
26a	Wiper Motor Cover LHD			A120B0134F	1
27	Screw, No.10 x 1/2", pozi., cover fix.			A075W5040Z	2
28	Spire Nut No. 8, cover, wiper motor fix			A075W6016Z	2
29	Pop Rivet			A132W6024F	3
30	Washer, flat, M4 x 9 x 0.8			A082W4099F	3



EXIGE

17.27

Updated 31st May 2013

Service Parts List

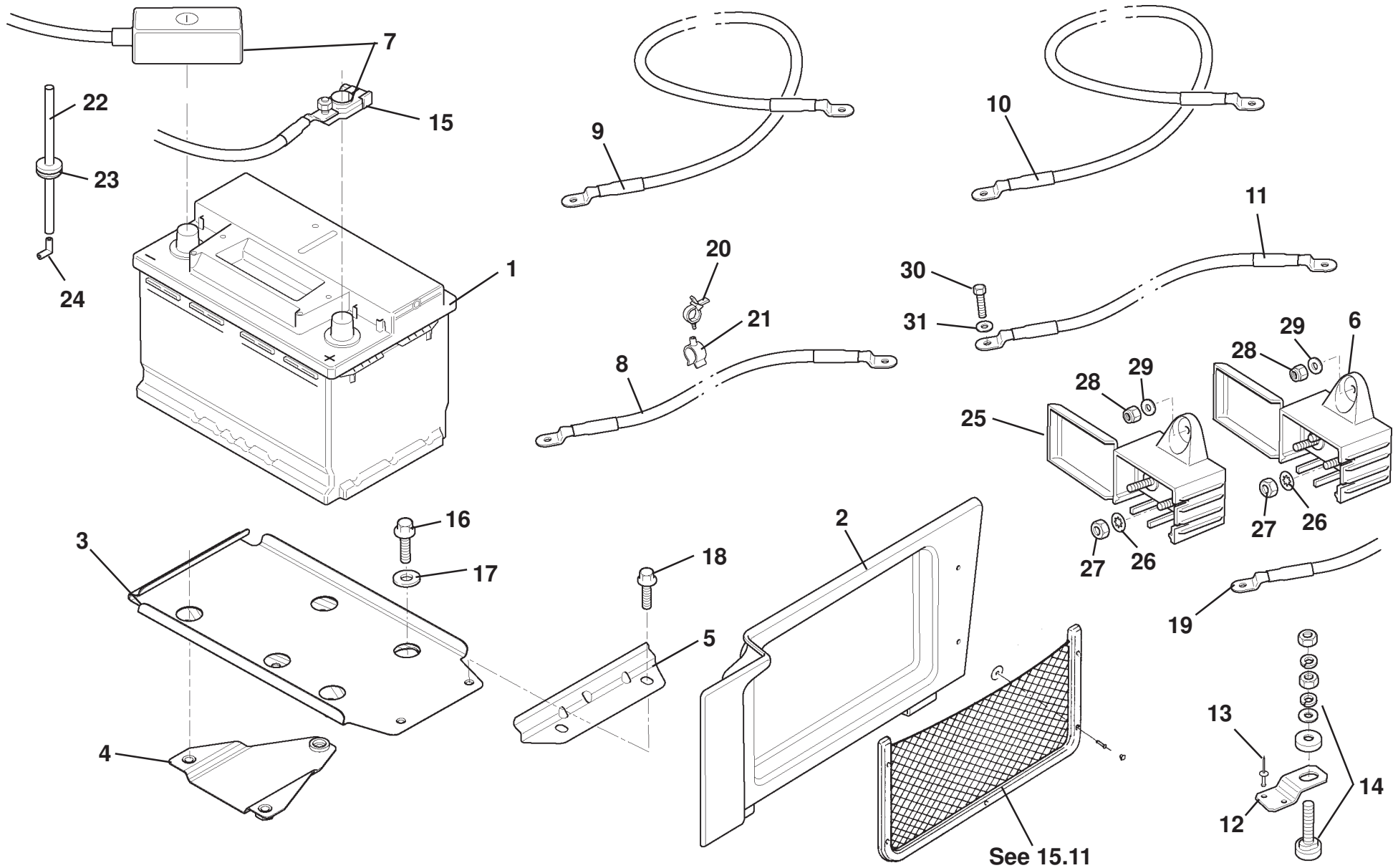
EXIGE



Function Code 17.27 In Car Entertainment

<u>Dep</u>	<u>Part Description</u>	<u>Remarks</u>	<u>Option</u>	<u>Part Number</u>	<u>Qty</u>
01	Radio/CD Player, Alpine CDE-131R			A138M6003F	1
01a	Radio/CD Player, Alpine CDE-171RR			A138M6004F	1
02	Speaker Kit, front, Alpine SPE-1002			A120M6022F	1
03	Speaker Kit, rear, Alpine SPG-13C2			A120M6047F	1
04	Antenna Cable			A138M0009F	1
05	Di Pole Antenna Cable			A138M0008F	1
06	Ipod Adaptor KCE 433i			A120M6041F	1
07	Ipod Holder Foam	Fits in trinket tray		A120U0094F	1
08	Clip Cable, self adhesive			A138W6005F	3
09	Clip Cable, self adhesive			A138W6006F	8
10	Bush, antenna cable thro chassis			A132K6005F	1
11	Screw, No.6 x 0.75			A075W5028Z	8
12	Spire Nut, No.8			A075W6016Z	8
13	Link Lead	No radio, not illustrated, to be confirmed	China Japan	A138M0049F	1

EXIGE



EXIGE

17.31

Updated 1st July 2013

Service Parts List

EXIGE



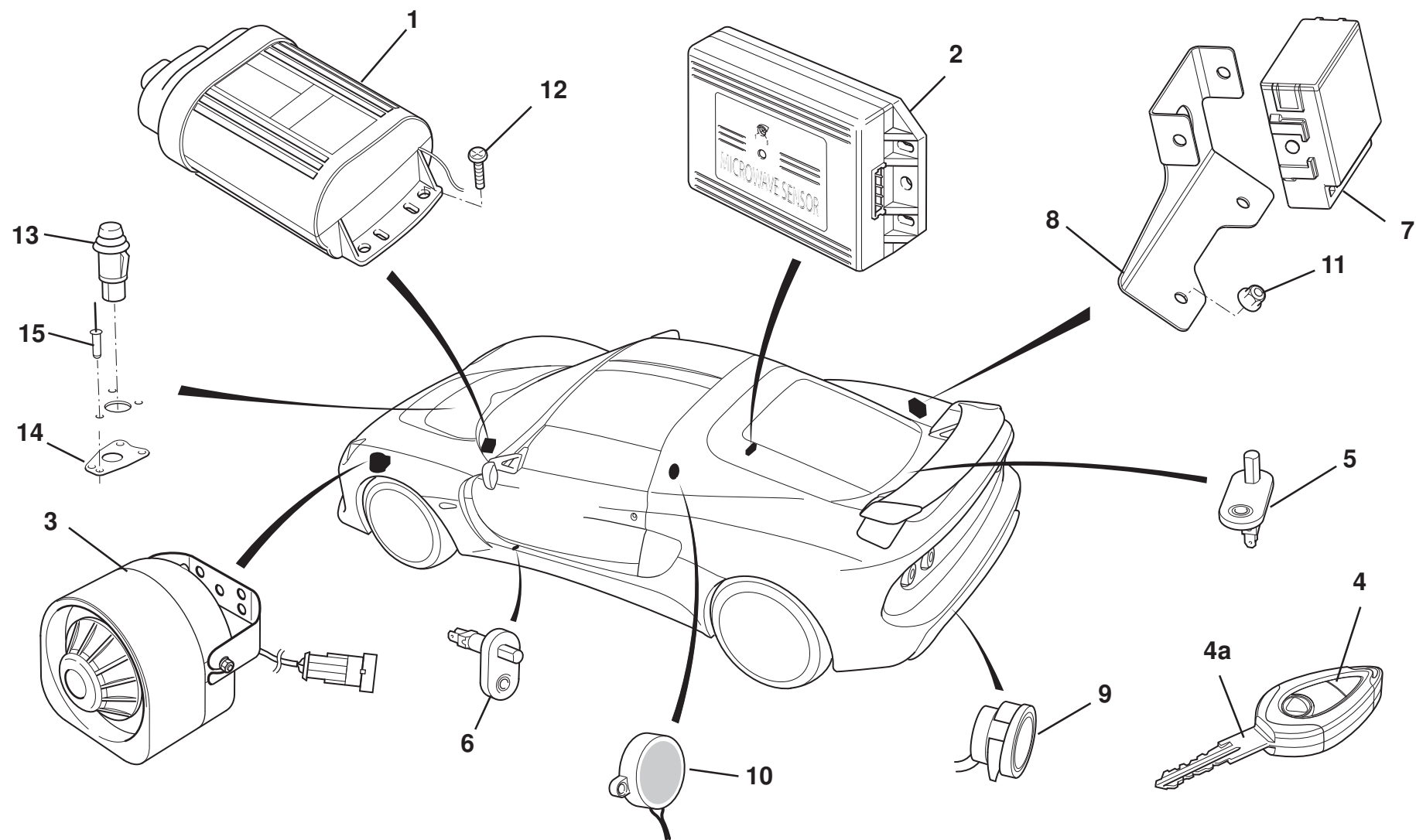
Function Code 17.31 Battery, Clamps, & Cables

<u>Dep</u>	<u>Part Description</u>	<u>Remarks</u>	<u>Option</u>	<u>Part Number</u>	<u>Qty</u>
01	Battery, Varta 72Ah Blue Dynamic			A132M6029F	1
02	Battery Cover			A138B0030F	1
03	Battery Tray Bracket			A138M0017F	1
04	Battery Tray Fixing Plate			A138M0019F	1
05	Battery Clamp			A138M0042F	1
06	Battery Post, 3 stud	On boot bulkhead		A138M6001F	1
07	Harness Battery	See also 17.01		A138M0012F	1
08	Battery Negative Cable, ECU plate to battery			A138M0016F	1
09	Cable, front positive stud to rear	See also 17.01		A138M0013F	1
10	Cable, positive stud to starter motor	See also 17.01		A138M0014F	1
11	Cable, engine/ gearbox to chassis earth	See also 17.01		A138M0015F	1
12	Bracket , battery post front			C122B0147F	1
13	Pop Rivet, 5/32 x 1/2 , battery post bracket			A075W6068F	2
14	Battery Post			A089M6033F	2
15	Battery Clamp			A132M6143F	2
16	Bolt M8 x 25 hex flg, battery tray			A132W5006F	4
17	Washer, flat, M8 x 25 x 1.5, battery tray			B075W4021Z	1
18	Screw M6 x 16 hex flg, battery clamp			A132W5003F	2

EXIGE

Function Code 17.31 Battery, Clamps, & Cables

<u>Dep</u>	<u>Part Description</u>	<u>Remarks</u>	<u>Option</u>	<u>Part Number</u>	<u>Qty</u>
19	Cable, CDL power up (negative)	(front services compartment), see also 17.01		B122M0012F	1
20	Swivel Clip Tie Wrap, cable to heater pipe			A082W6324F	1
21	Swivel Clip, cable to heater pipe			A082W5587F	1
22	Tube, battery vent			B132M0050F	1
23	Grommet, vent tube to battery box			A124W6790F	1
24	Elbow			A132W6028F	1
25	Battery Post, 2 stud	On scuttle		A340M6007F	1
26	Washer Shakeproof M8			A075W4048Z	5
27	Nut M8			A075W3021Z	5
28	Nyloc M5, battery post			A075W3008Z	2
29	Washer Flat 3/16 x 1/2 x16, battery post			A075W4000Z	2
30	Screw M8, cable to gearbox			A075W1035Z	1
31	Washer Flat M8 x 16.6, cable to gearbox			A075W4020Z	1



EXIGE

17.33b

Updated 1st May 2013

Service Parts List

EXIGE



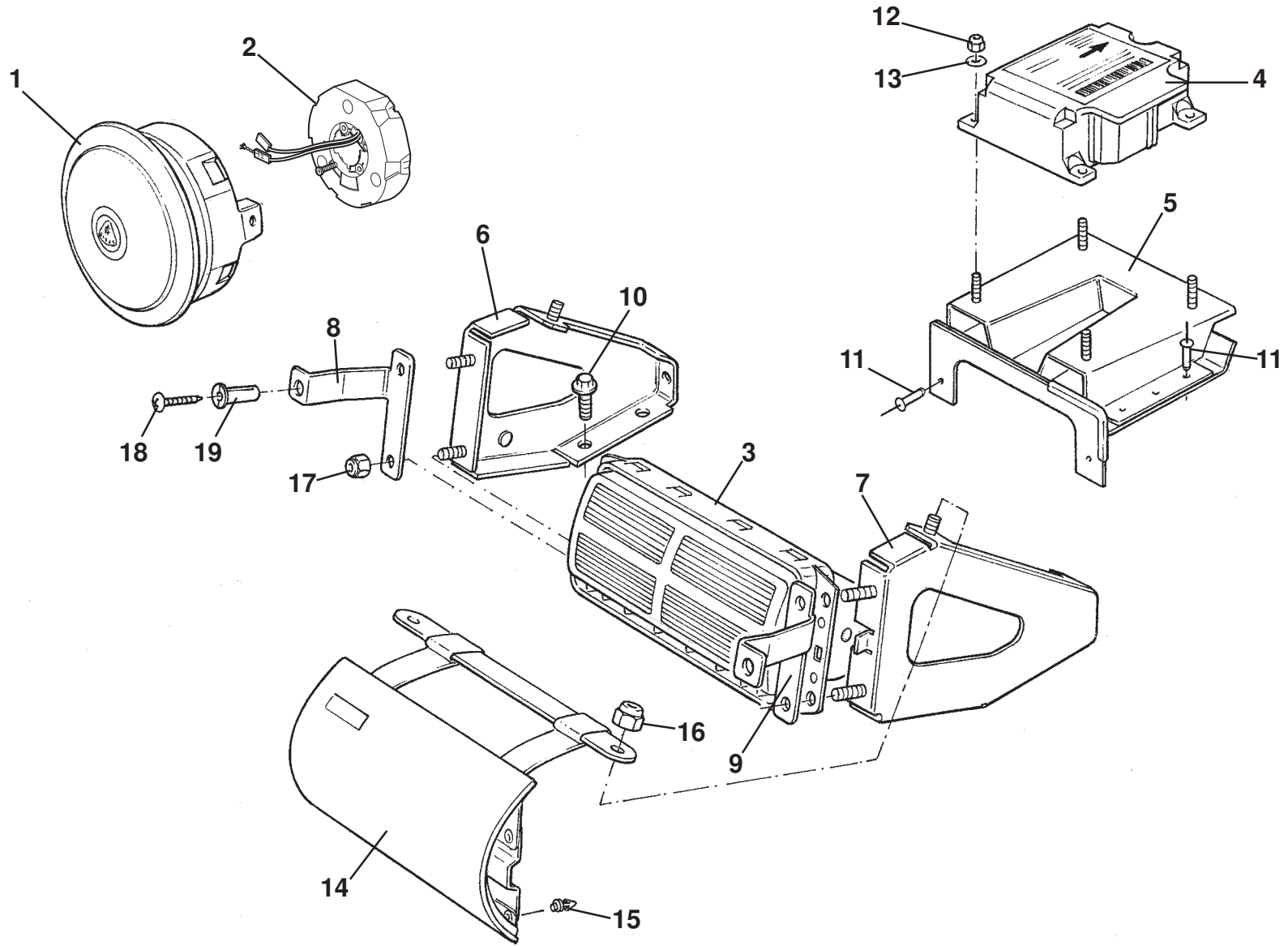
Function Code 17.33b Security Alarm System, PFK, 2008 MY

<u>Dep</u>	<u>Part Description</u>	<u>Remarks</u>	<u>Option</u>	<u>Part Number</u>	<u>Qty</u>
01	Controller, PFK	Includes 2 transmitter fobs		A132M0117F	1
01a	Alarm Kit, PFK	Includes CDL module		B121M0050F	1
02	Microwave Sensor, PFK			A120M0047F	1
03	Siren, PFK	Includes bracket, fixings		A132M6082F	1
04	Transmitter Fob	Programme transmitter using PIN*, excludes key blade		A120M0049F	2
04a	Key, uncut	Excludes transmitter fob		A120H0008S	2
04b	Key, cut*	Order from Bolton Lock, excludes transmitter fob		A120H0009S	2
05	Switch, boot alarm			A111M6035F	1
06	Microswitch, alarm activation, doors	Also for courtesy lamp		A111M6035F	2
07	ECU, parking aid system			A138M0029F	1
08	Bracket, parking aid ECU			A132M0121F	1
09	Sensor Kit, parking aid system			B132M0151F	1
10	Sounder, parking aid			A132M0191F	1
11	Nyloc Nut, M5, flg., bracket to bootbox			A132W3000F	2
12	Screw, M4 x 12, pan pozi., ECU to chassis			A100W5143F	2
13	Microswitch, alarm activation, front access cover			A111M6037F	1
14	Bracket, front microswitch mounting			A120B0127F	1

Function Code 17.33b Security Alarm System, PFK, 2008 MY

<u>Dep</u>	<u>Part Description</u>	<u>Remarks</u>	<u>Option</u>	<u>Part Number</u>	<u>Qty</u>
15	Pop rivet, domed, black, bracket to clamshell			A082W6512F	3

*NOTE: For full information on all
Lotus Security Sytems, see
LSL483e



EXIGE

17.35

Updated 1st August 2013

Service Parts List

EXIGE



Function Code 17.35 Other Electrical, SIR: Inflator Modules, DERM & Sensors

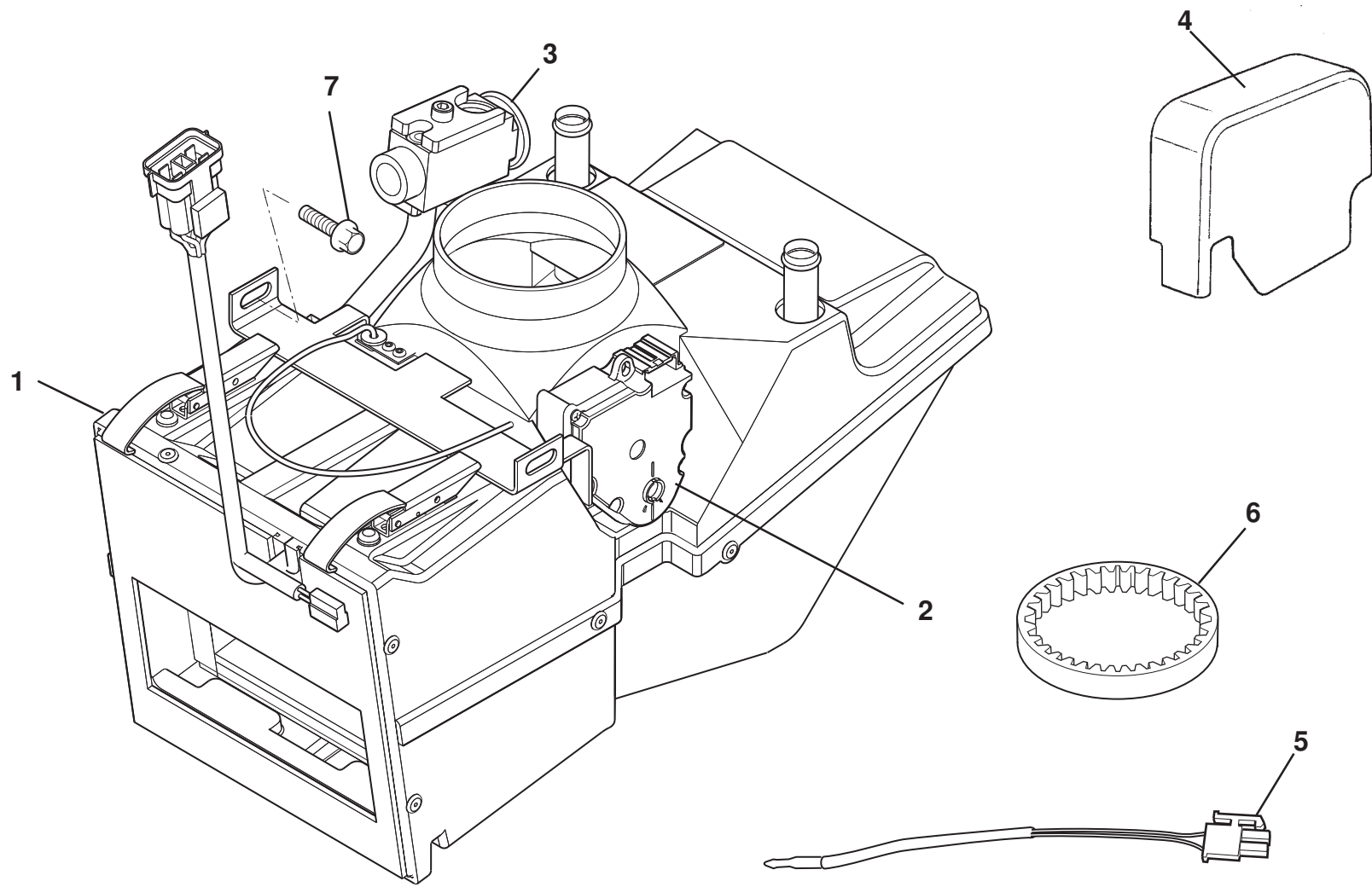
<u>Dep</u>	<u>Part Description</u>	<u>Remarks</u>	<u>Option</u>	<u>Part Number</u>	<u>Qty</u>
01	Airbag Assembly, driver*	Includes Lotus badge		A121U0047F	1
02	Rotary Contact Unit, SIR wheel*	P/O wheel assy., see 32.05		A120M6010S	1
03	Airbag Unit, passenger*			A121U6066F	1
04	SRS Unit*			A121B0060F	1
05	Mounting Bracket, SRS unit			B121U0095F	1
06	Mounting Bracket, passenger airbag, LH			A121U0065F	1
07	Mounting Bracket, passenger airbag, RH			A121U0066F	1
08	Mounting Bracket, passenger airbag/rail, LH			B121U0069F	1
09	Mounting Bracket, passenger airbag/rail, RH			B121U0070F	1
10	Bolt, M8 x 20, flg. hex. hd., bracket to chassis			A120W5278F	4
11	Pop Rivet, bracket to chassis			A100W6037F	8
12	Nyloc Nut, M6, SRS unit to bracket			A075W3009Z	4
13	Washer, flat, M6 x 12.5 x 1.6, SRS unit to bracket			A100W6307F	4
14	Cover Assembly, passenger airbag, senosoft, paint	Also see 14.05		A138V0151F	1
15	Clip, cover to dash panel			B121U0117F	4
16	Nyloc Nut, M8, cover strap bar to bracket			A075W3010Z	2
17	Nyloc Nut, M6, PAB to mounting brackets			A075W3009Z	4
18	Screw, self tap., No. 8 x 3/4" bracket to dash panel			A075W5074Z	2

EXIGE

Function Code 17.35 Other Electrical, SIR: Inflator Modules, DERM & Sensors

<u>Dep</u>	<u>Part Description</u>	<u>Remarks</u>	<u>Option</u>	<u>Part Number</u>	<u>Qty</u>
19	Captive Nut, bracket to dash panel			A120W3186F	2

*These parts can only be fitted by Lotus Dealers, who must complete and return the SIR registration card supplied with the part.



EXIGE

18.01

Updated 24th January 2013

Service Parts List

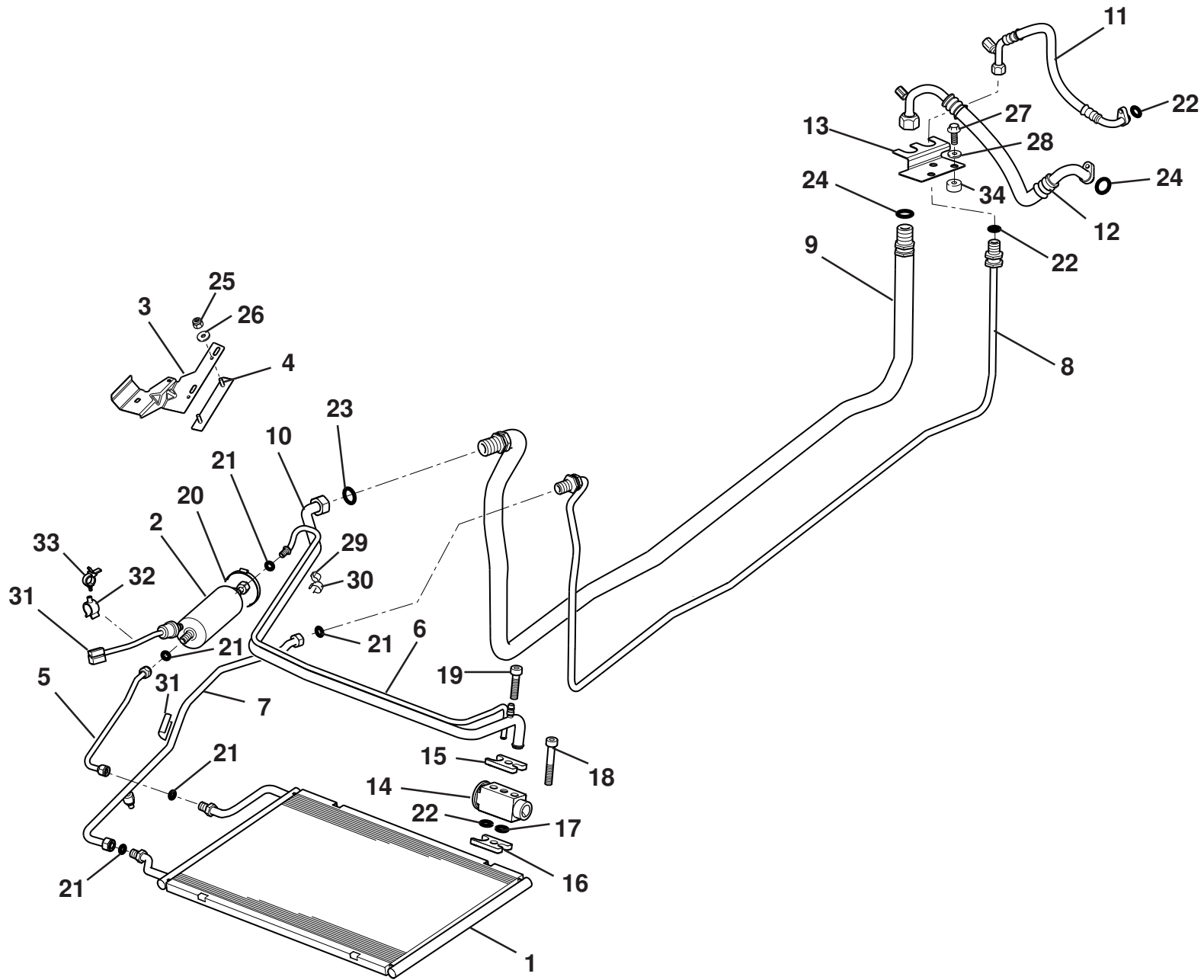
EXIGE



Function Code 18.01 Heater/ Air Conditioning Assemblies, Housings

<u>Dep</u>	<u>Part Description</u>	<u>Remarks</u>	<u>Option</u>	<u>Part Number</u>	<u>Qty</u>
01	Heater/AC Housing Assembly			A120P0185F	1
02	Actuator, heater/AC flaps			A117M6052S	1
03	Expansion Valve	See 18.03			1
04	Cover, actuator			A117P0158K	1
05	Thermostat Unit			A120P6012S	1
06	Drive Belt, heater flap			A117P6001S	1
07	Screw, M6 x 20, hex. flg. hd., AC/htr. assy. to chassis			A117W2203F	2
08	Rubber, self-adhesive, actuator cover			A036B6221V	1

EXIGE



EXIGE

18.03

Updated 1st October 2013

Service Parts List

EXIGE



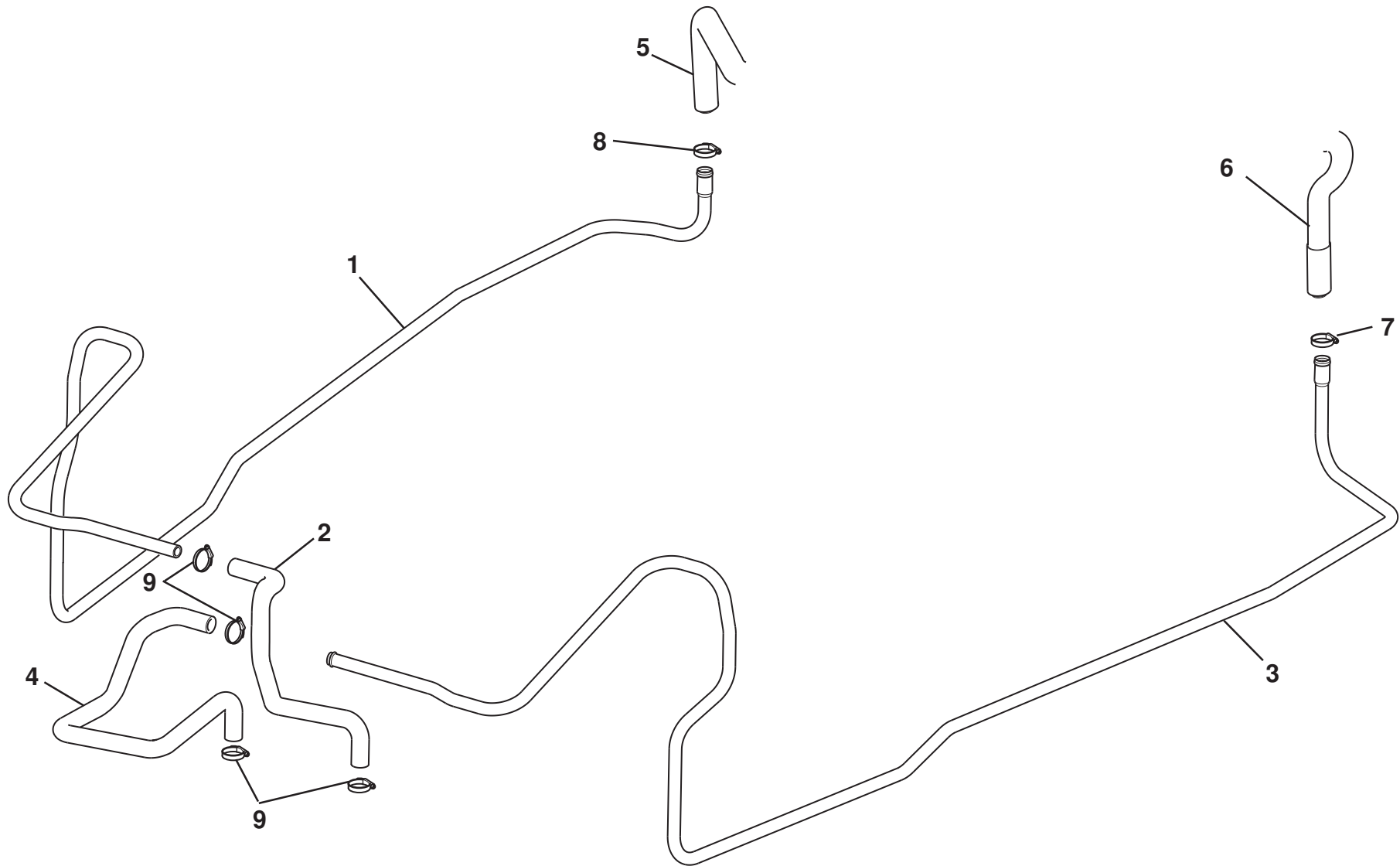
Function Code 18.03 AC Components, Pipes, Hoses

<u>Dep</u>	<u>Part Description</u>	<u>Remarks</u>	<u>Option</u>	<u>Part Number</u>	<u>Qty</u>
01	Condenser, Sanden			A117P0042H	1
02	Filter Drier, excluding trinary switch			A120P6007F	1
03	Bracket Filter Drier			B120P0162F	1
04	Bracket Stud Plate, filter drier			A120P0163F	1
05	Pipe Assembly, drier to condenser	Includes no 6 'O' rings		A138P0001F	1
06	Pipe Assembly, drier to expansion valve RHD	Includes no 6 'O' ring		A138P0005F	1
06a	Pipe Assembly, drier to expansion valve LHD	Includes no 6 'O' ring		A138P0003F	1
07	Pipe Assembly, bodyside to condenser	Includes no 6 'O' rings		A138P0002F	1
08	Hose Assembly, HVAC discharge		A138P0014F R/B	A120P0025S	1
09	Hose Assembly, HVAC suction		A138P0015F R/B	A120P0024S	1
10	Pipe Assembly,,bodyside suction RHD	Includes no 10 'O' rings		A138P0004F	1
10a	Pipe Assembly,,bodyside suction LHD	Includes no 10 'O' rings		A138P0020F	1
11	Hose Assembly.AC compressor discharge	Includes no 8 'O' rings		A138P0006F	1
12	Hose Assembly.AC compressor suction	Includes no 12 'O' rings		A138P0007F	1
13	Bracket, HVAC pipes to chassis			A120P0010F	1
14	Expansion Valve			A132P0107H	1
15	Clamp Plate, pipes to expansion valve			A082P4402F	1
16	Clamp Plate, valve to evaporator			A082P4401F	1

EXIGE

Function Code 18.03 AC Components, Pipes, Hoses

<u>Dep</u>	<u>Part Description</u>	<u>Remarks</u>	<u>Option</u>	<u>Part Number</u>	<u>Qty</u>
17	'O' Ring, No 10, expansion valve to evaporator			A082P6080F	1
18	Screw, M5 x 40, cap hd. skt., valve to clamp			A100W7081F	2
19	Screw, M6 x 16, cap hd. skt., clamp to valve			A075W7017F	1
20	Clip Hose, 60-80mm			A075L6044F	1
21	'O' Ring, No. 6, pipe joints			A082P6078F	5
22	'O' Ring, No. 8, pipe joints, expansion valve to evaporator			A082P6079F	3
23	'O' Ring, No 10, pipe joints			A082P6080F	2
24	'O' Ring, No.12, pipe joints			A082P6081F	2
25	Nut Nyloc M6, thin			A907E6285F	2
26	Washer Flat M6 x 18 x 1.6			A121W4196F	2
27	Bolt M6 x 30, hex flg			A124W5294F	3
28	Washer Flat M6 x 25 x 1.4			B075W4017F	3
29	Swivel Clip Male			A089W6296F	1
30	Swivel Clip Female			A132W6047F	1
31	Trinary Switch			A117P0059F	1
32	Clip Pipe			A132W6047F	1
33	Swivel Clip, tie wrap			A082W6324F	1
34	Spacer			A132U0376F	3



EXIGE

18.05

Updated 27th february 2013

Service Parts List

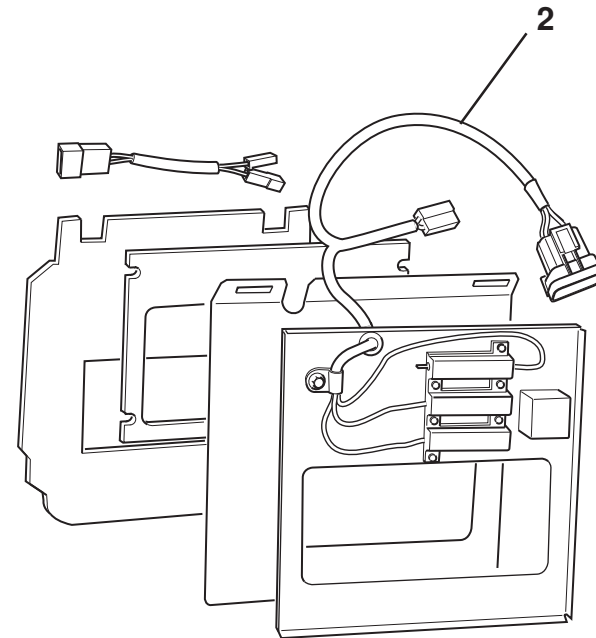
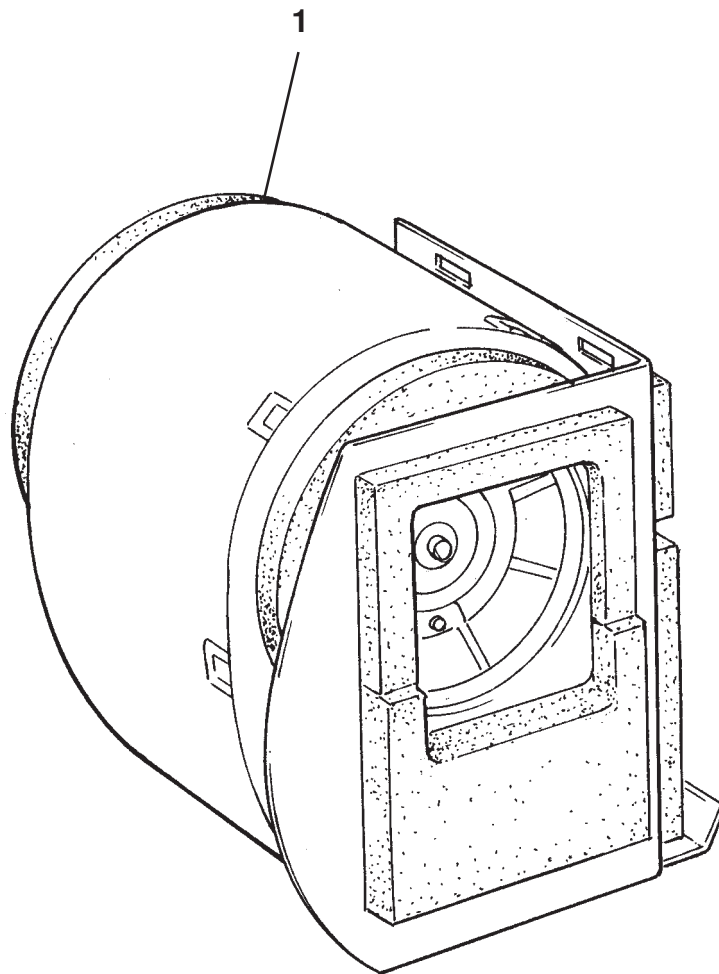
EXIGE



Function Code 18.05 Heater, Pipes, Hoses

<u>Dep</u>	<u>Part Description</u>	<u>Remarks</u>	<u>Option</u>	<u>Part Number</u>	<u>Qty</u>
01	Pipe, heater supply			A138P0013F	1
02	Hose, heater feed, RHD			A117P0023F	1
02a	Hose, heater feed, LHD			A117P0024F	1
03	Pipe, heater return			A138P0012F	1
04	Hose, heater return, RHD			A117P0021F	1
04a	Hose, heater return, LHD			A117P0022F	1
05	Hose Assembly, pump to heater	See 46.01		B138P0017F	1
06	Hose, heater return	See 46.01		A138P0009F	1
07	Clip Hose 25 - 27mm			A120W6776F	1
08	Clip Hose, 27mm			A116K6016F	1
09	Clip Hose, 22.3 - 24.1mm			A132W6021F	4

EXIGE



EXIGE

18.07a

Updated 24th January 2013

Service Parts List

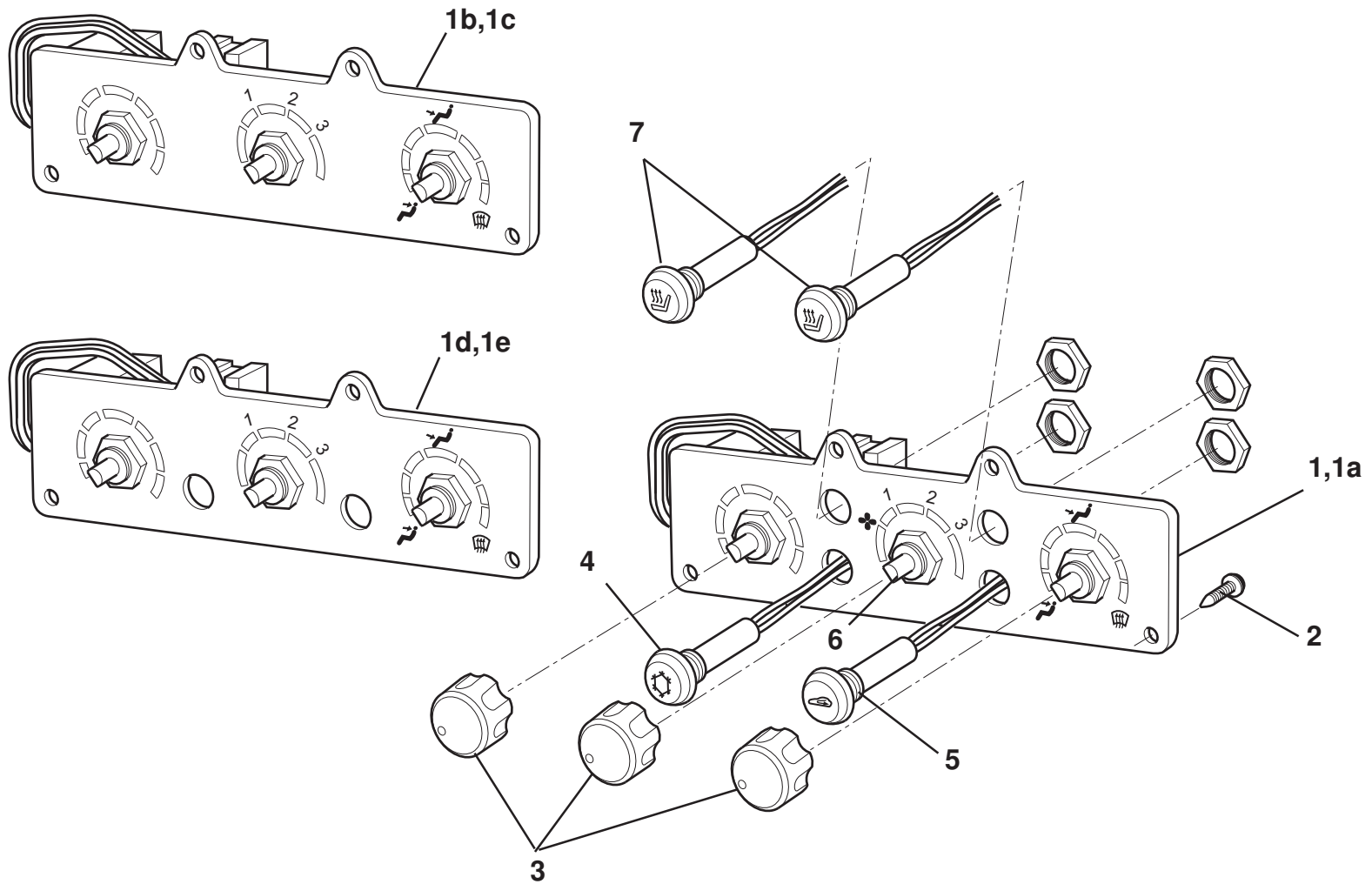
EXIGE



Function Code 18.07a AC Interior Blower Motor

<u>Dep</u>	<u>Part Description</u>	<u>Remarks</u>	<u>Option</u>	<u>Part Number</u>	<u>Qty</u>
01	Blower & Motor Assembly			B117P0163F	1
02	Resistor Kit, blower motor			A120P0148S	1

EXIGE

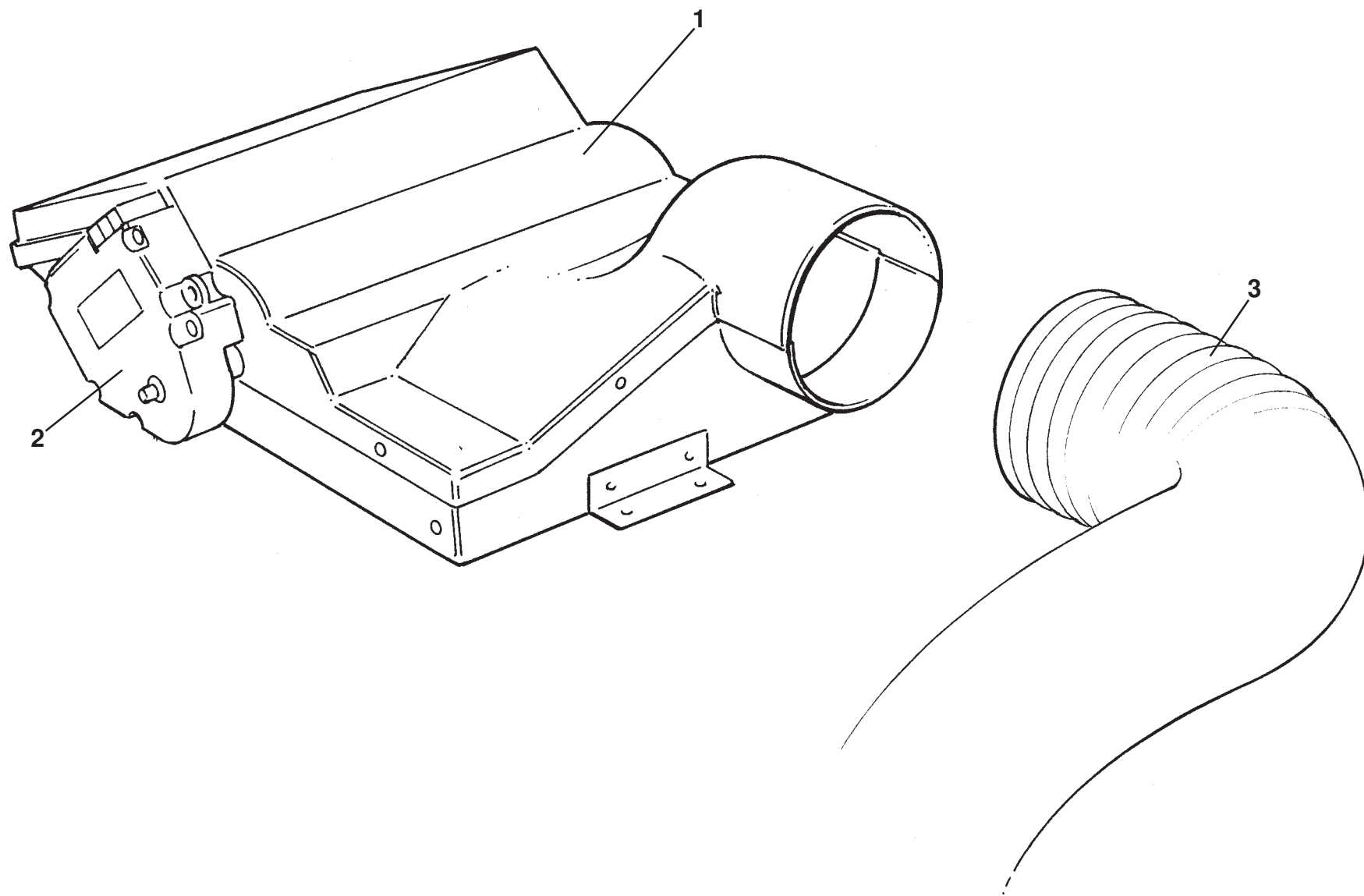


EXIGE

18.09a

Function Code 18.09a AC/Heater Driver Operated Controls

<u>Dep</u>	<u>Part Description</u>	<u>Remarks</u>	<u>Option</u>	<u>Part Number</u>	<u>Qty</u>
01	Switch Panel Assembly, AC, heated seats, RHD	Incl. temp, fan & dist. Switches	AC cars	A138P0021F	1
01a	Switch Panel Assembly, AC, heated seats, LHD	Incl. temp, fan & dist. Switches	AC cars	A138P0022F	1
01b	Switch Panel Assembly, heater, RHD	Incl. temp, fan & dist. Switches	Heater cars	A138P0023F	1
01c	Switch Panel Assembly, heater, LHD	Incl. temp, fan & dist. Switches	Heater cars	A138P0024F	1
01d	Switch Panel Assembly, RHD	Incl. temp, fan & dist. Switches	AC no heated seats or Heater with heated seats	A138P0025F	1
01e	Switch Panel Assembly, LHD	Incl. temp, fan & dist. Switches	AC no heated seats or Heater with heated seats	A138P0026F	1
02	Screw, Ejot 1452K 50 x 18, black, panel fix.			A117W5277F	4
03	Knob, illuminated			A120U0091F	3
04	Switch, AC			A138M0020F	1
05	Switch, Recirculation			A138M0021F	1
06	Switch, 3 speed fan			A117M6053S	1
07	Switch Heated Seats			A138M0006F	2

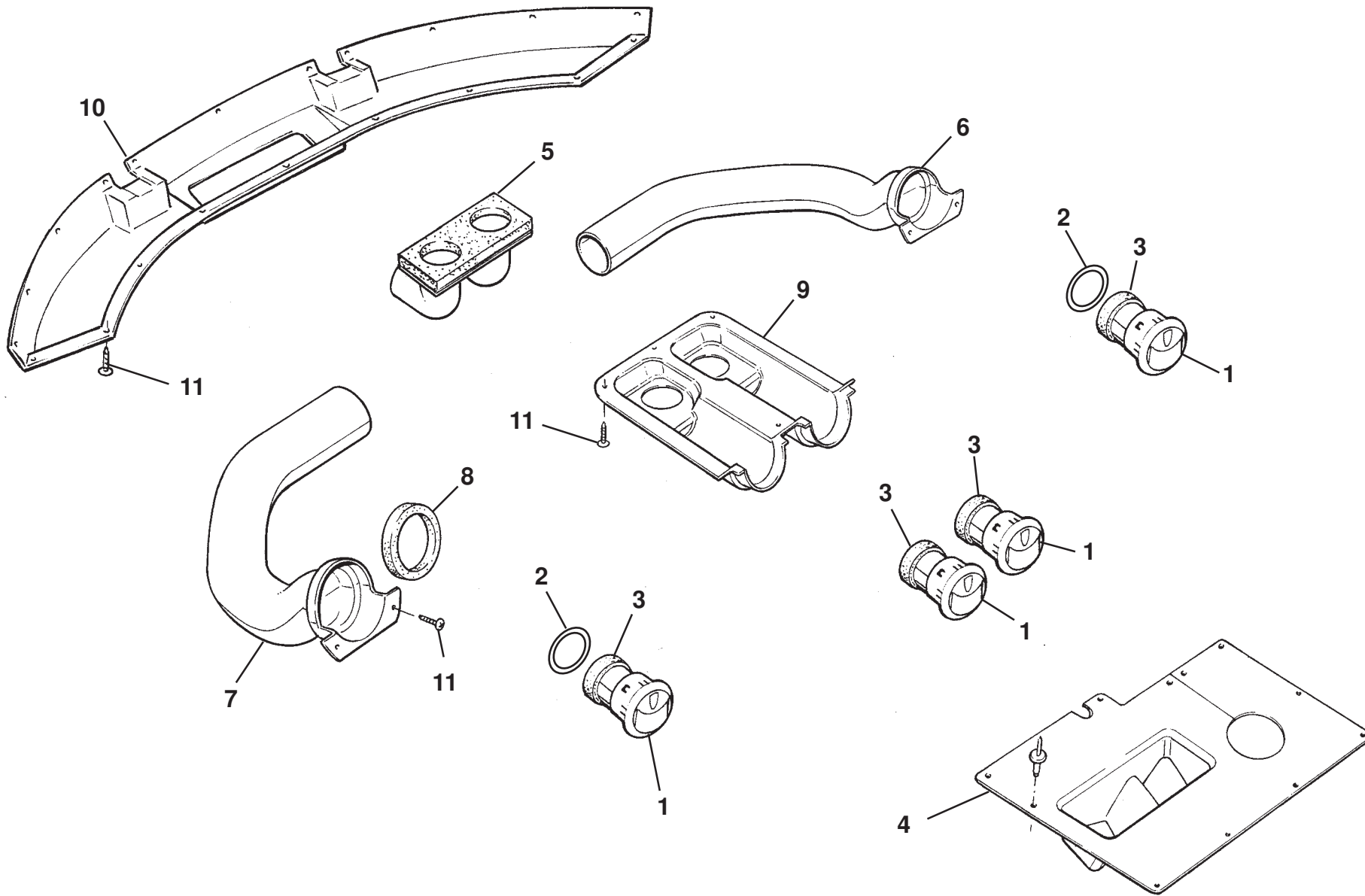


EXIGE

18.12

Function Code 18.12 AC/Heater Air Distribution Plenum

<u>Dep</u>	<u>Part Description</u>	<u>Remarks</u>	<u>Option</u>	<u>Part Number</u>	<u>Qty</u>
01	Air Distribution Plenum, LHD			B117P0041F	1
01a	Air Distribution Plenum, RHD			A117P0042F	1
02	Actuator, distribution flaps			A117M6052S	1
03	Hose, heater to plenum, insulated			A124P0025F	1

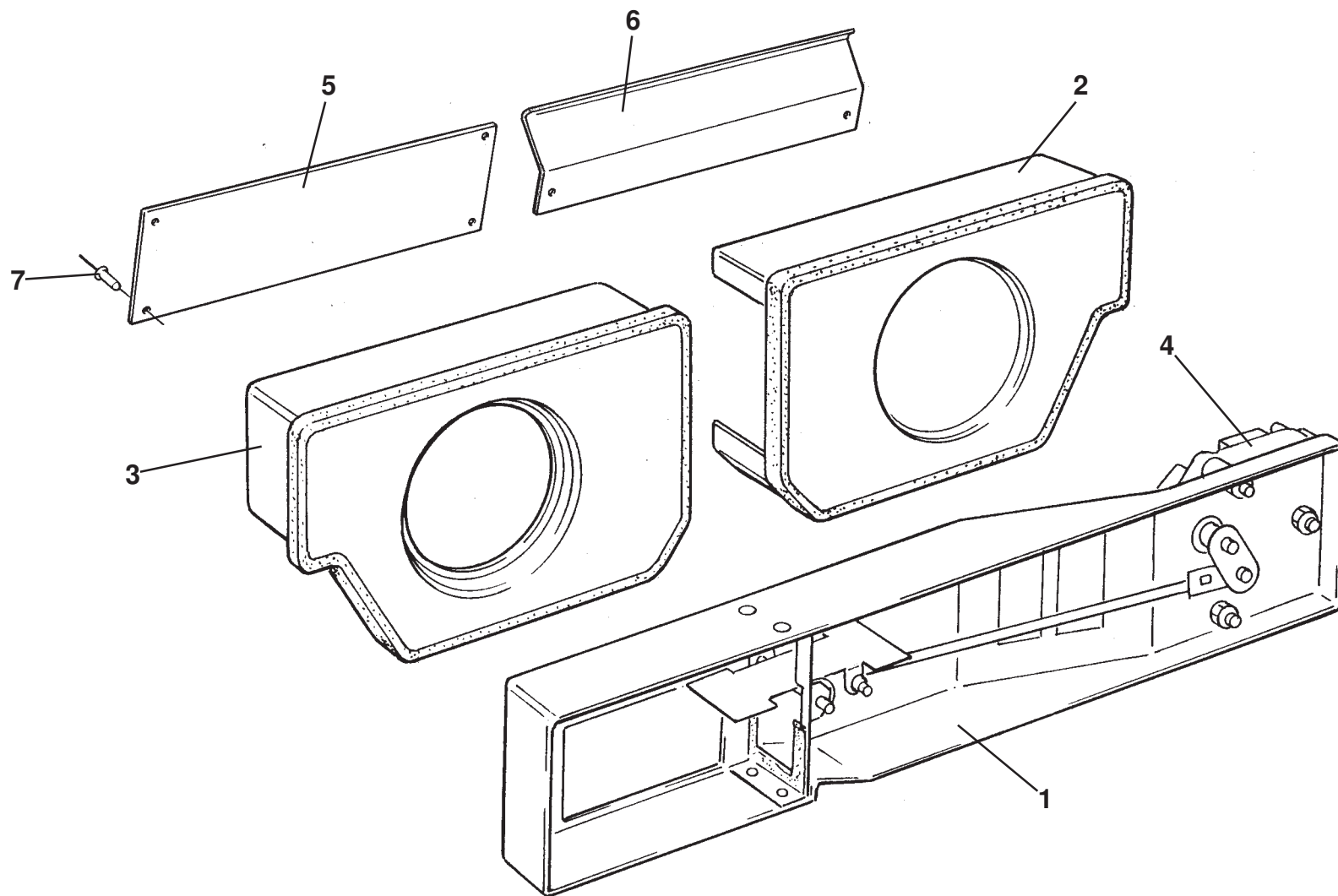


EXIGE

18.13

Function Code 18.13 Air Trunking, Ducts & Ventilators

<u>Dep</u>	<u>Part Description</u>	<u>Remarks</u>	<u>Option</u>	<u>Part Number</u>	<u>Qty</u>
01	Face Level Vent			A117U6003F	4
02	Retaining Ring, FLV			A117P0086F	2
03	Foam Seal, self adhesive, 10 x 6mm, FLV to adaptor			A100B0431V	0.8m
04	Deflector, footwell, RHD			A120P0016F	1
04a	Deflector, footwell, LHD			A120P0017F	1
05	Duct, intermediate, FLV centre	Includes foam gaskets		A121U0029F	1
06	Duct, side FLV, RH			A121U0028F	1
07	Duct, side FLV, LH			A121U0027F	1
08	Gasket, FLV			A121V0006H	4
09	Duct, FLV centre			B121P0002H	1
10	Duct, air distribution, demist	P/O fascia top panel assy.		A121P0001H	1
11	Screw, self tap., No.10 x 3/4", ducts to panels			A075W5040Z	28



EXIGE

18.14

Service Parts List

EXIGE



Function Code 18.14 AC Air Recirculation System

<u>Dep</u>	<u>Part Description</u>	<u>Remarks</u>	<u>Option</u>	<u>Part Number</u>	<u>Qty</u>
01	Intake Duct, heater, LHD		Heater cars	A117P0134F	1
01a	Intake Duct, heater, RHD		Heater cars	A117P0135F	1
02	Recirc. Air Plenum, LH, RHD	Without aperture	AC cars	B117P0035F	1
02a	Recirc. Air Plenum, LH, LHD	With aperture	AC cars	B117P0037F	1
03	Recirc. Air Plenum, RH, RHD	With aperture	AC cars	B117P0036F	1
03a	Recirc. Air Plenum, RH, LHD	Without aperture	AC cars	B117P0038F	1
04	Actuator, fresh air flap		AC cars	A117M6052S	1
05	Blanking Panel, alloy	Driver footwell	AC cars	A117P0123F	1
06	Deflector Panel, alloy	Passenger footwell	AC cars	A117P0126F	1
07	Pop Rivet, panels to chassis		AC cars	A111W6613F	6


EXIGE

1

MANUFACTURED BY
NCTV (Pty) Ltd
VEHICLE IDENT NO.
SCCTC12219HN1000

LOTUS CARS LTD
Q+4

MAX VEHICLE WEIGHT Kg
MAX COMBINED WEIGHT Kg
MAX AXLE WT FRONT 1- Kg
MAX AXLE WT REAR 2- Kg

VIN: 

PAINT CODE

7

LOTUS CARS LTD, LOTUS EXIGE S		(AUSTRALIA)	
TYRE INFORMATION	FRONT	REAR	REAR
	205/45 ZR17 88Y	265/35 ZR18 97Y	265/35 ZR18 93Y
COLD INFLATION PRESSURES	220kPa	250kPa	250 kPa

8

(E)				
LOTUS				A132U0142


WARNING

DO NOT Remove Roof Railer to Handbook

DEATH OR SERIOUS INJURY can occur



15




3 **MAXIMUM ALLOWABLE MASS IN LUGGAGE COMPARTMENT: __kg**

A132U0136

14

WARNING

DO NOT Place rear-facing child seat on this seat with airbag

DEATH OR SERIOUS INJURY can occur



FUEL CONSUMPTION

SECTION EXIGE S MANUAL METRIC

Fuel Consumption (L/100km)	CO2 Emissions (g/km)
10.1	236
Combined Test	Combined Test
14.5	265
Urban	205
7.6	175
Extra Urban	135

For optimum protection keep oil level close to TOP MARKS

10

WARNING OIL LEVEL

MAXIMUM DO NOT EXCEED

MINIMUM



ADD OIL-INCREASED RISK OF ENGINE WEAR

FOR OPTIMUM PROTECTION KEEP OIL LEVEL CLOSE TO TOP MARKS

13

12

MIND YOUR HEAD

A132U0136

SCCTC12219HN1000

2



5



6



5

SIR

A082U7250

9

4

WARNING A111A0213

IT IS UNSAFE TO USE VEHICLE WITH THE STRUCTURAL SHEAR PANEL REMOVED ENSURE BOLTS TORQUED 24Nm.

EXIGE

19.01

Updated 27th february 2013

Service Parts List

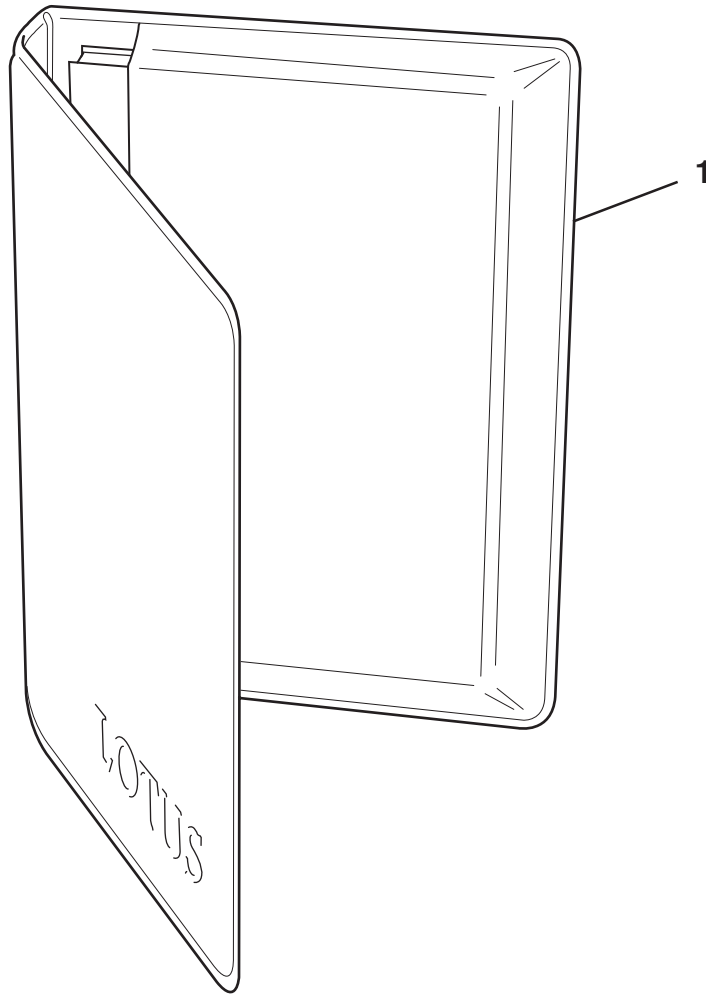
EXIGE



Function Code 19.01 Labels, Certificates, Literature etc.

<u>Dep</u>	<u>Part Description</u>	<u>Remarks</u>	<u>Option</u>	<u>Part Number</u>	<u>Qty</u>
01	Label, VIN, chassis	Special order only		A120U0202F	1
02	Label, VIN number, windscreen	Special order only		B121U0121F	1
03	Label, luggage loading			A132U0136F	1
04	Label, shear panel warning			A111A0213F	1
05	Label, jacking point			A111U0239F	4
06	Label, warning child seat, S. Africa			A120B0211F	1
07	Label, tyre loading, Australia		Australia	A138U0025F	1
08	Label, 'E' mark			A120U0213F	1
09	Label, SIR warning	On battery cover		A082U7350F	1
10	Label, fuel consumption, Australia	Standard tyres	Australia	A138U0022F	1
11	Label 'Do Not Remove Roof'			A138U0024F	1
12	Label 'Mind Your Head'			A138U0023F	1
13	Label, oil level warning	On intake manifold		A132U0460F	1
14	Label, child seat warning, RHD			B124U0094F	1
14a	Label, child seat warning, LHD			B124U0095F	1
15	Label, hard top instruction directive			B116V0185F	1
	Certificate of Conformity	Contact Lotus Type Approval		Not listed	1

EXIGE

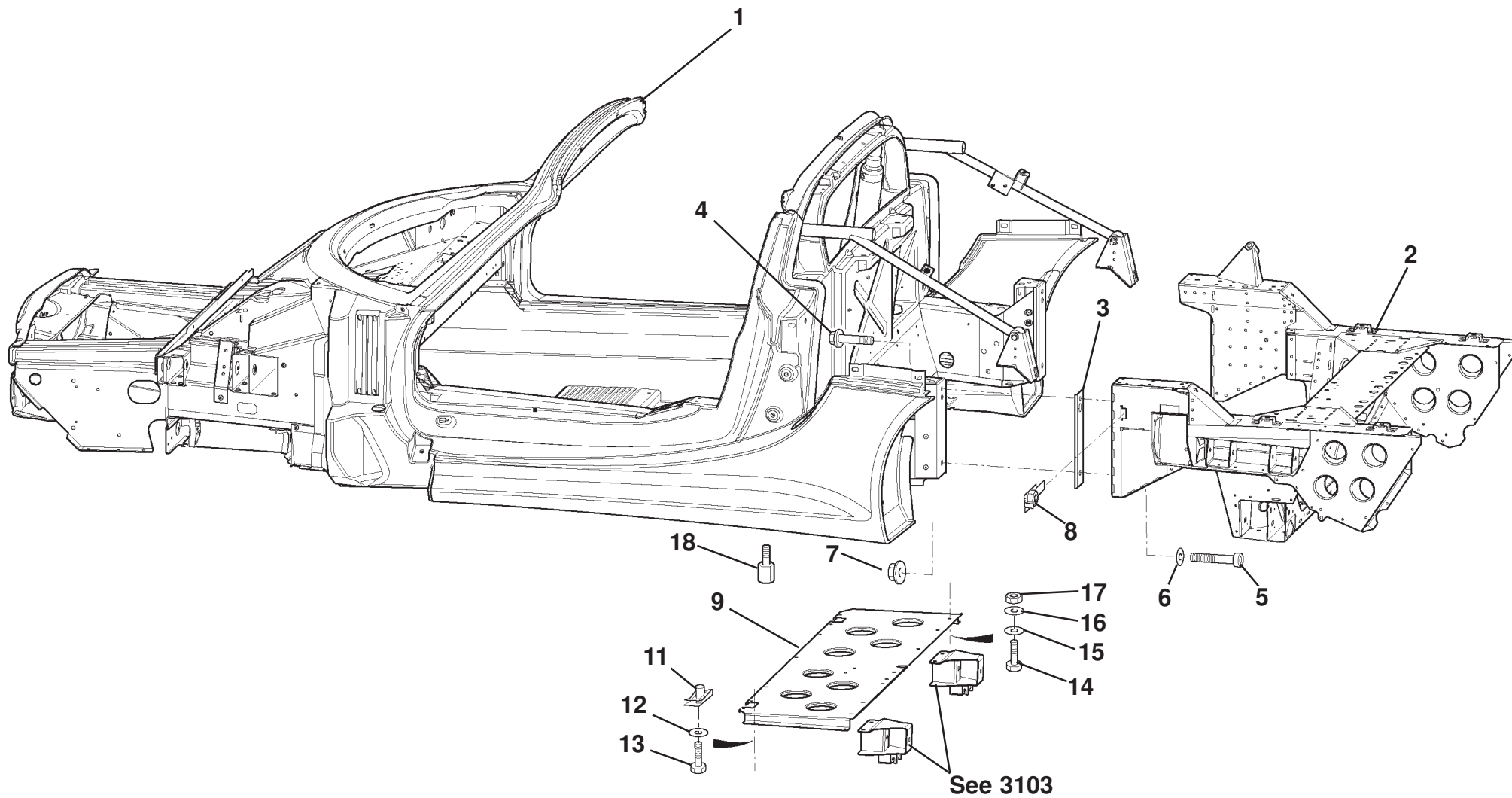


EXIGE

19.03

Function Code 19.03 Owner's Handbooks & Service Notes Manuals

<u>Dep</u>	<u>Part Description</u>	<u>Remarks</u>	<u>Option</u>	<u>Part Number</u>	<u>Qty</u>
01	Owner's Handbook, English	Includes maintenance record		E120T0324J	1
01a	Owner's Handbook, French	Includes maintenance record		E120T0324JF	1
01b	Owner's Handbook, German	Includes maintenance record		E120T0324JD	1
01c	Owner's Handbook, Italian	Includes maintenance record		E120T0324JI	1
01d	Owner's Handbook, Arabic	Includes maintenance record		E120T0324JAR	1
02	Maintenance Record, English	P/O item 01		E120T0324JM	
03	New Vehicle Warranty booklet, English	P/O item 01		E120T0324JW	



EXIGE

30.01

Updated 24th January 2013

Service Parts List

EXIGE



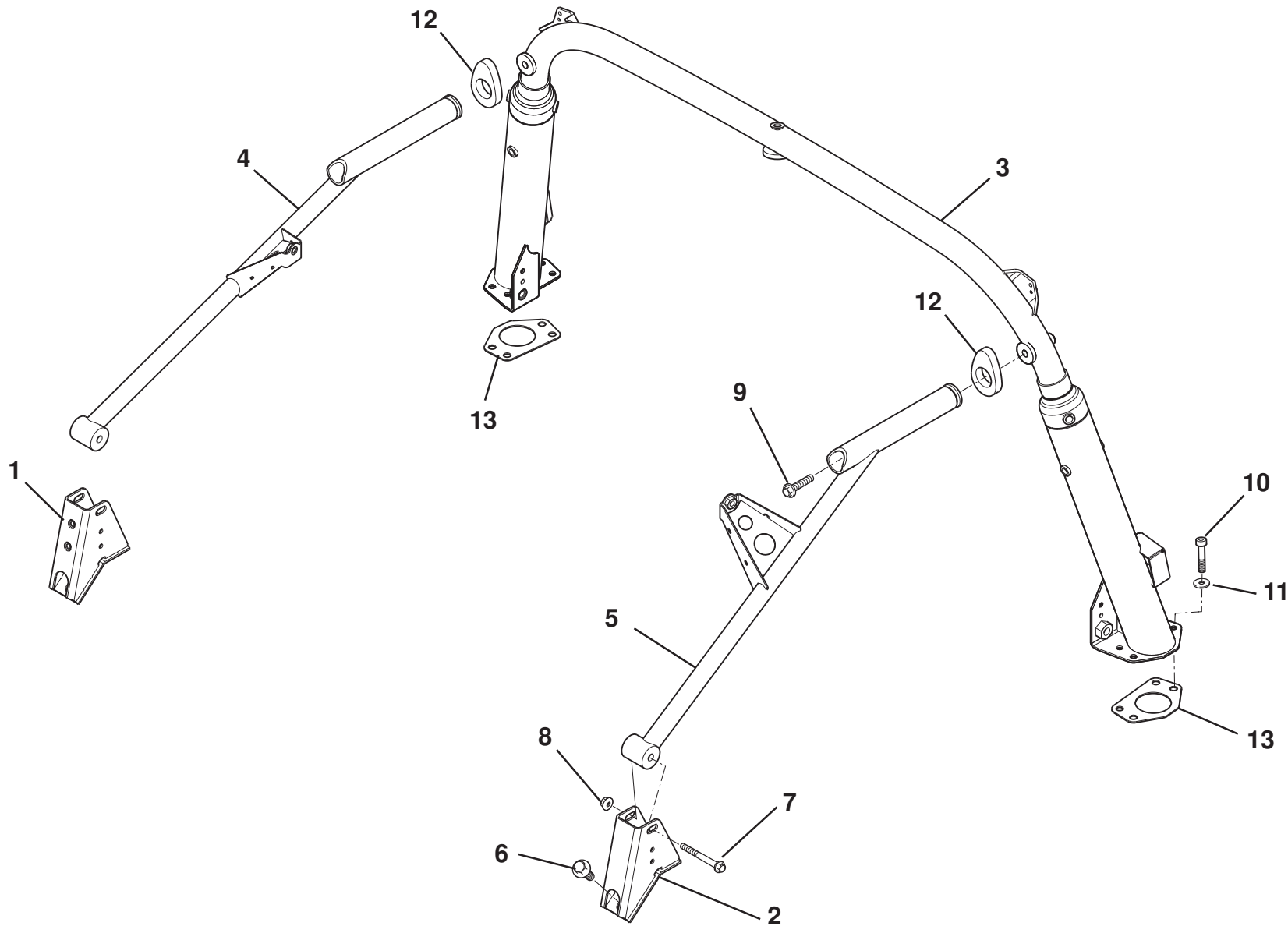
Function Code 30.01 Chassis, Subframes

<u>Dep</u>	<u>Part Description</u>	<u>Remarks</u>	<u>Option</u>	<u>Part Number</u>	<u>Qty</u>
01	Partial body LHD heater			A138A4075S	1
01a	Partial body RHD heater			A138A4076S	1
01b	Partial body LHD A/C			A138A4077S	1
01c	Partial body RHD A/C			A138A4078S	1
02	Assembly Rear Subframe			C138A0078J	1
03	Shim, subframe adaptor mounting			A138A0093F	2
04	Bolt M12 x 65 hex flg hd			A116W5237F	2
05	Bolt M12 x 60 skt cap hd			A138W2010F	2
06	Washer Flat M12 x 23.5 x 2.3			A075W4028F	2
07	Nut M12, hex flg.			A132W3010F	2
08	Nut Plate Assembly, chassis mounting			A138A0101F	2
09	Assembly Shear Panel, tank bay			A138A0110F	1
10	Rivnut M8, rear undertray fixing			A111W6605F	8
11	Setscrew, M5 x 16, hex. hd., shear panel to chassis/sill			A111W1163F	10
12	Washer, flat, M5 x 25 x 1.4, shear panel to chassis/sill			B100W6372F	6
13	Spirenut, M5, shear panel to chassis/sill			B100W6372F	6
14	Screw, M8 x 25, hex. hd., shear panel fix			A111W1156F	9
15	Washer, flat, M8 x 21 x 1.6			A111W4159F	9

EXIGE

Function Code 30.01 Chassis, Subframes

<u>Dep</u>	<u>Part Description</u>	<u>Remarks</u>	<u>Option</u>	<u>Part Number</u>	<u>Qty</u>
16	Washer, flat, M8 x 16.6 x 1.4			A111W4164F	9
17	Nyloc Nut, M8			A907E6284F	9
18	Adapter, diffuser, shear panel 16mm hex			A120A0183F	3



EXIGE

30.02

Updated 1st May 2013

Service Parts List

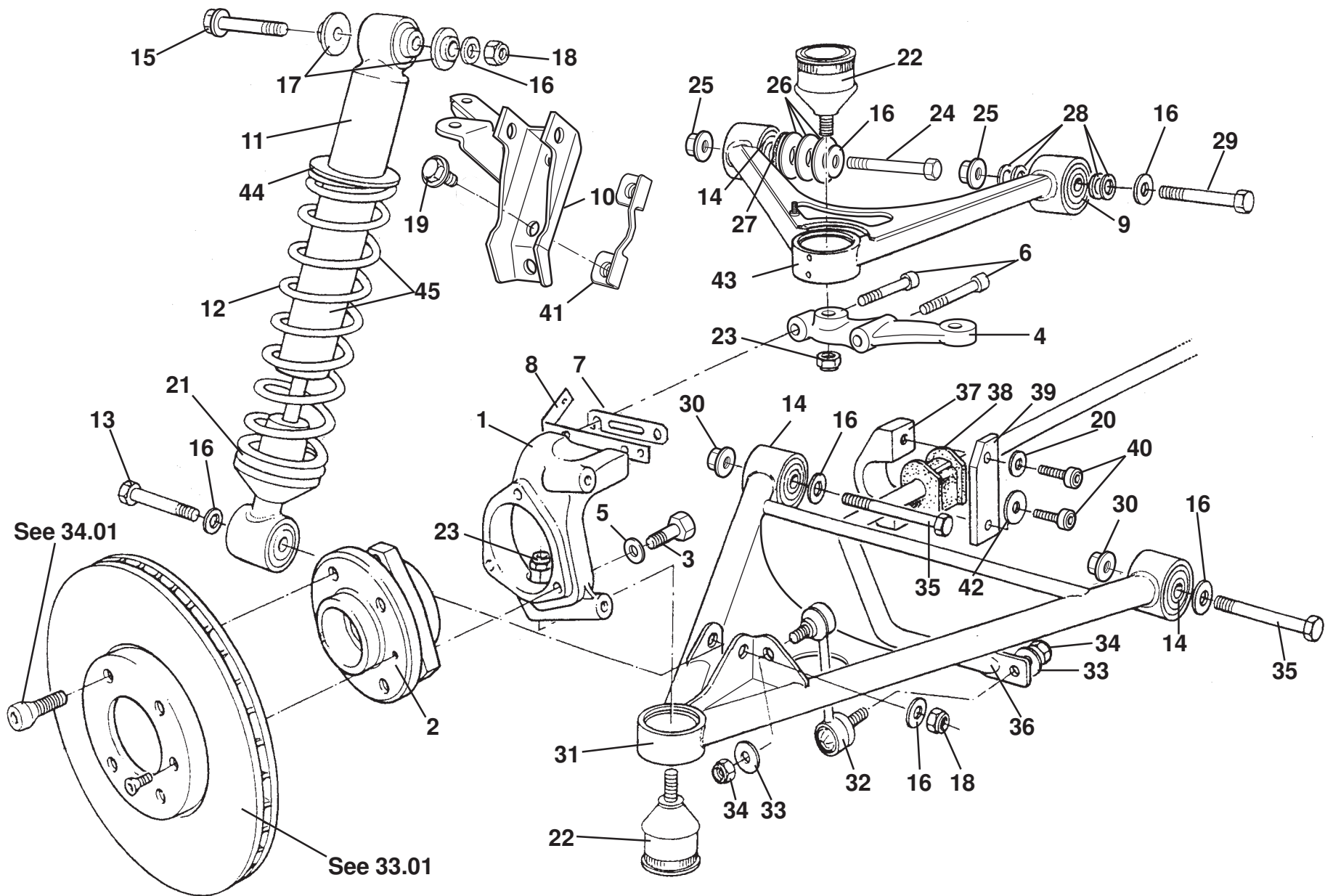
EXIGE



Function Code 30.02 Seat Belt Mounting Frames, Stays

<u>Dep</u>	<u>Part Description</u>	<u>Remarks</u>	<u>Option</u>	<u>Part Number</u>	<u>Qty</u>
01	SBAF Mounting Bracket Assembly LH			A138A0025F	1
02	SBAF Mounting Bracket Assembly RH			A138A0026F	1
03	Frame, seatbelt anchorage			C117A0145F	1
04	SBAF Stay Assembly LH			A138A4009F	1
05	SBAF Stay Assembly RH			A138A4010F	1
06	Bolt M10 x 30 hex flg			A132W2004F	4
07	Bolt M10 x 60 hex flg			A132W2009F	2
08	Nut M10 hex flg			A132W3005F	2
09	Bolt M10 x 35 hex flg			A116W5247F	12
10	Screw M8 x 25 skt cap hd			A111W7132F	8
11	Washer Flat M8 x 16.6 x 1.4			A075W4020	8
12	Seal. Seatbelt anchorage			A120B0207F	2
13	Shim, base plate, 2mm			B111A0071F	2
13a	Shim, base plate, 3mm			A116A0164F	2
13b	Shim, base plate, 4mm			A116A0165F	2
13c	Shim, base plate, 5mm			A116A0166F	2

EXIGE



See 34.01

See 33.01

EXIGE

Updated 1st July 2013

Service Parts List

EXIGE



Function Code 31.01 Front Suspension, Incl. Hubs

<u>Dep</u>	<u>Part Description</u>	<u>Remarks</u>	<u>Option</u>	<u>Part Number</u>	<u>Qty</u>
01	Upright, front LH			A116C0001F	1
01a	Upright, front RH			A116C0002F	1
02	Hub Unit			A138C6000F	2
03	Bolt M12 x 45 hex hd			A116W2192F	6
04	Steering Arm LH			A138C4015F	1
04a	Steering Arm RH			A138C4016F	1
05	Washer Flat M12 x 24 x 2.5			A124W4197F	6
06	Bolt, M10 x 60, 10.9G, cap hd., steering arm to hub carrier			A117W7213F	4
07	Shim, 1.0mm, camber adjustment			D111C0062F	As req
07a	Shim, 1.5mm, camber adjustment			B120C0022F	As req
08	Shim, bracket connector retainer LH			A120C4005F	1
08a	Shim, bracket connector retainer RH			A120C4006F	1
09	Bush, suspension			A116C0035F	2
10	Damper/ABS Unit Mounting Bracket assy, LH, RHD, LHD			A138C0062F	1
10a	Damper Bracket, top front, RH			A138C4030F	1
11	Damper Assembly Sport, front			B138C0058H	2
11a	Damper Assembly Race, front			B138C0020H	2
12	Road Spring Sport, front			A138C0057H	2

EXIGE

Function Code 31.01 Front Suspension, Incl. Hubs

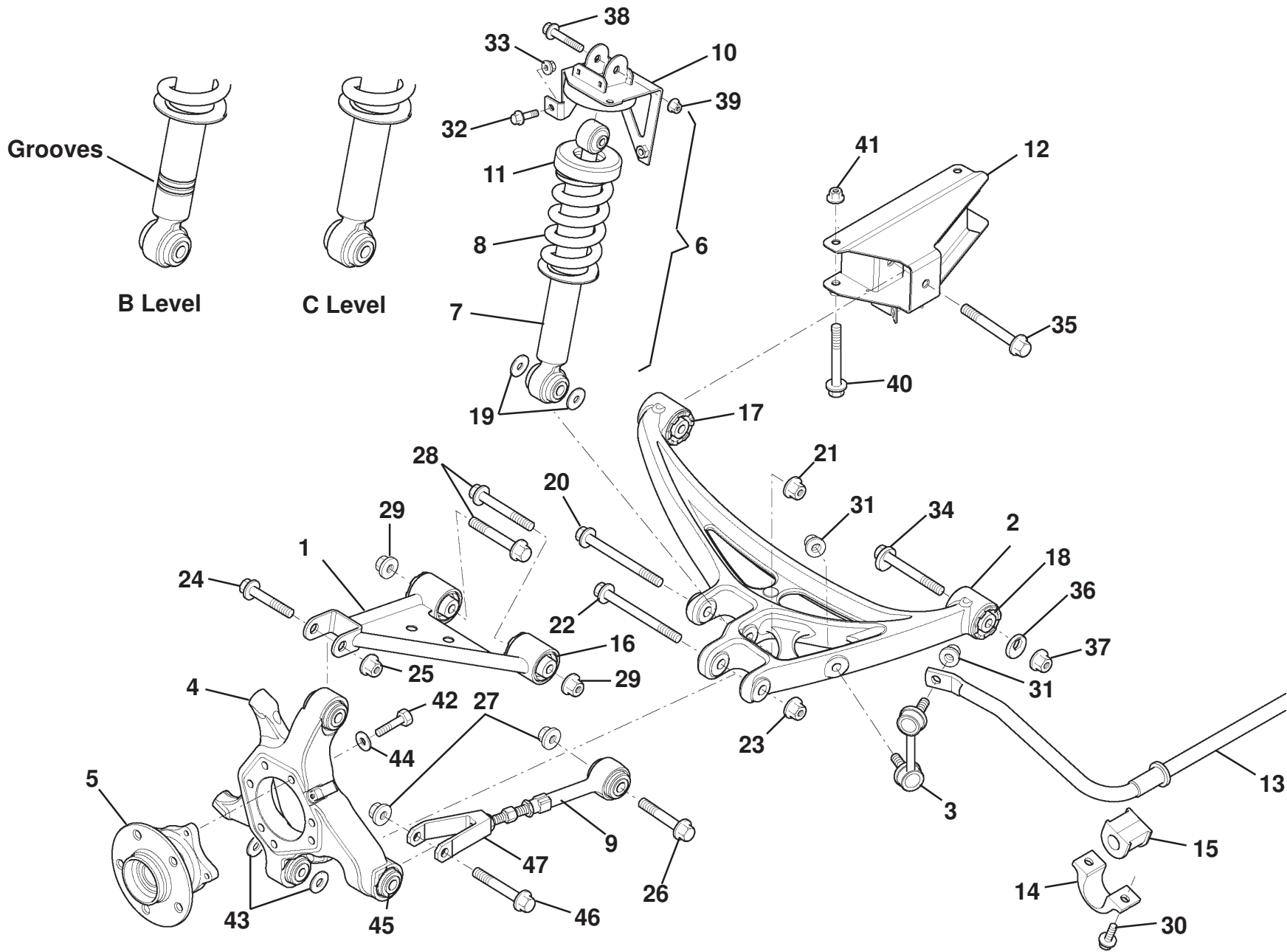
<u>Dep</u>	<u>Part Description</u>	<u>Remarks</u>	<u>Option</u>	<u>Part Number</u>	<u>Qty</u>
12a	Road Spring Race, front			A138C0019H	2
13	Bolt, M10 x 55, hex. hd., damper bottom fix.			A079W2057F	2
14	Bush, suspension			A116C0068F	6
15	Bolt, M10 x 70, hex.flg hd., damper top fix.			A138W2013F	2
16	Washer M10 x 20.5 x 1.8			A075W4024F	16
17	Spacer Damper Top			B111C0061F	4
18	Nyloc Nut, M10, damper fixings			A100W3112F	2
19	Bolt, M8 x 25, hex, hd., bracket to chassis			A132W5008F	6
20	Washer, flat, M8 x 16.5 S/S, bracket to chassis			A111W4175F	2
21	Spring Seat, lower front			A138C0011H	2
22	Balljoint, suspension			B111C6012F	4
23	Nyloc Nut, M12 x 1.5, ball joint			B100C6019F	4
24	Pivot Bolt, M10 x 80, hex. hd., wishbone upper front			A075W2061Z	8
25	Nut M10 hex flg, wishbone fixings			A138W3006F	4
26	Shim Castor Adjust, 1.5 mm, large			A111C0077F	6
27	Snubber Washer, rubber coated, upper wishbone			A111C0081F	2
28	Shim Castor Adjust, 1.5 mm, small			A111C0080F	8
29	Pivot Bolt, M10 x 75mm, hex. hd., wishbone upper rear			A075W2059Z	2
30	Nut M10 hex flg, wishbone fixings			A138W3006F	4
31	Assembly Wishbone Lower, front LH			D138C4009J	1
31a	Assembly Wishbone Lower, front RH			D138C4010J	1



Function Code 31.01 Front Suspension, Incl. Hubs

<u>Dep</u>	<u>Part Description</u>	<u>Remarks</u>	<u>Option</u>	<u>Part Number</u>	<u>Qty</u>
32	Drop Link ARB			A111C0063F	2
33	Washer Flat M10,			A075W4023F	4
34	Nut Nyloc M10,			A100W3112F	4
35	Pivot Bolt, M10 x 85, hex. hd., wishbone lower			A079W2063F	4
36	Anti Roll Bar Front 21.5mm			A138C0013F	1
37	Mount Bracket ARB			C138C0017F	1
38	Bush ARB			A111C0094F	2
39	Backing Plate 5.0mm			A138C0055F	1
39a	Backing Plate, ARB mounting			A111C0109F	2
40	Screw M8 x 30 skt cap hd			A117W7215F	4
41	Spreader Plate Front Damper Bracket			A138A0119F	2
42	Washer M8 x 25 x 1.5 s/s			B075W4021Z	2
43	Assembly Wishbone Upper, front LH			C138C4001J	1
43a	Assembly Wishbone Upper, front RH			C138C4002J	1
44	Bump Stop Front			A138C0009H	2
45	Assembly Spring & Damper Sport, front		Also Roadster	C138C0056F	2
45a	Assembly Spring & Damper Race, front			C138C0018F	2





EXIGE

31.03

Updated 1st August 2013

Service Parts List

EXIGE



Function Code 31.03 Rear Suspension, Incl. Hubs

<u>Dep</u>	<u>Part Description</u>	<u>Remarks</u>	<u>Option</u>	<u>Part Number</u>	<u>Qty</u>
01	Assembly Wishbone Rear Upper			A138D0001J	2
02	Assembly Wishbone Rear Lower			A138D0028F	2
03	Droplink, ARB rear LH			B132D4009F	1
03a	Droplink, ARB rear RH			B132D4010F	1
04	Upright Assembly Rear LH			B138D4021F	1
04a	Upright Assembly Rear RH			B138D4022F	1
05	Hub Unit, driven			A132D0021F	2
06	Spring & Damper Assembly Sport, rear LH			D138D4031F	2
06a	Spring & Damper Assembly Sport, rear RH			D138D4032F	2
06b	Spring & Damper Assembly Race, rear LH			D138D4023F	2
06c	Spring & Damper Assembly Race, rear RH			D138D4024F	2
07	Damper Assembly Sport, rear	Cars fitted with 'B' level dampers to be replaced in pairs		D138D0085F	2
07a	Damper Assembly Race, rear	Cars fitted with 'B' level dampers to be replaced in pairs		D138D0031F	2
08	Road Spring Sport, rear			B138D0084F	2
08a	Road Spring Race, rear			B138D0039F	2
09	Assembly Toe Link Inner			C138D0082F	2
10	Assembly Damper Top Mount LH			B138D4025H	1

EXIGE

Function Code 31.03 Rear Suspension, Incl. Hubs

<u>Dep</u>	<u>Part Description</u>	<u>Remarks</u>	<u>Option</u>	<u>Part Number</u>	<u>Qty</u>
10a	Assembly Damper Top Mount RH			B138D4026H	1
11	Isolator Spring			B138D0027F	2
12	Bracket Assembly Mounting, rear wishbone lower LH			A138A4005F	1
12a	Bracket Assembly Mounting, rear wishbone lower RH			A138A4006F	1
13	Anti Roll Bar, rear 19mm			A138D0083F	1
13a	Anti Roll Bar, rear 19.5 mm		Roadster	A138D0081F	1
14	Mount Bracket, ARB			C132C0046F	2
15	Rubber Mount, ARB			A138D6000F	2
15a	Rubber Mount, ARB		Roadster	A138D6002F	2
16	Bush, wishbone rear upper			B132C0020F	4
17	Bush, wishbone rear lower frt			B132C0020F	2
18	Bush, wishbone rear lower rr			A132C0019F	2
19	Washer Flat M14 x 30, damper lower			B132D0033F	4
20	Bolt M14 x 125 hex flg damper lower			A132W2010F	2
21	Nut M14 hex flg. damper lower			A132W3023F	2
22	Bolt M14 x 125 hex flg upright lower			A132W2010F	2
23	Nut M14 hex flg, upright lower			A132W3023F	2
24	Bolt M14 x 75 hex flg, upright upper			A132W2012F	2
25	Nut M14 hex flg, upright upper			A132W3023F	2
26	Bolt M14 x 75 hex flg, toe link			A132W2012F	2
27	Nut M14 hex flg, toe link			A132W3023F	4



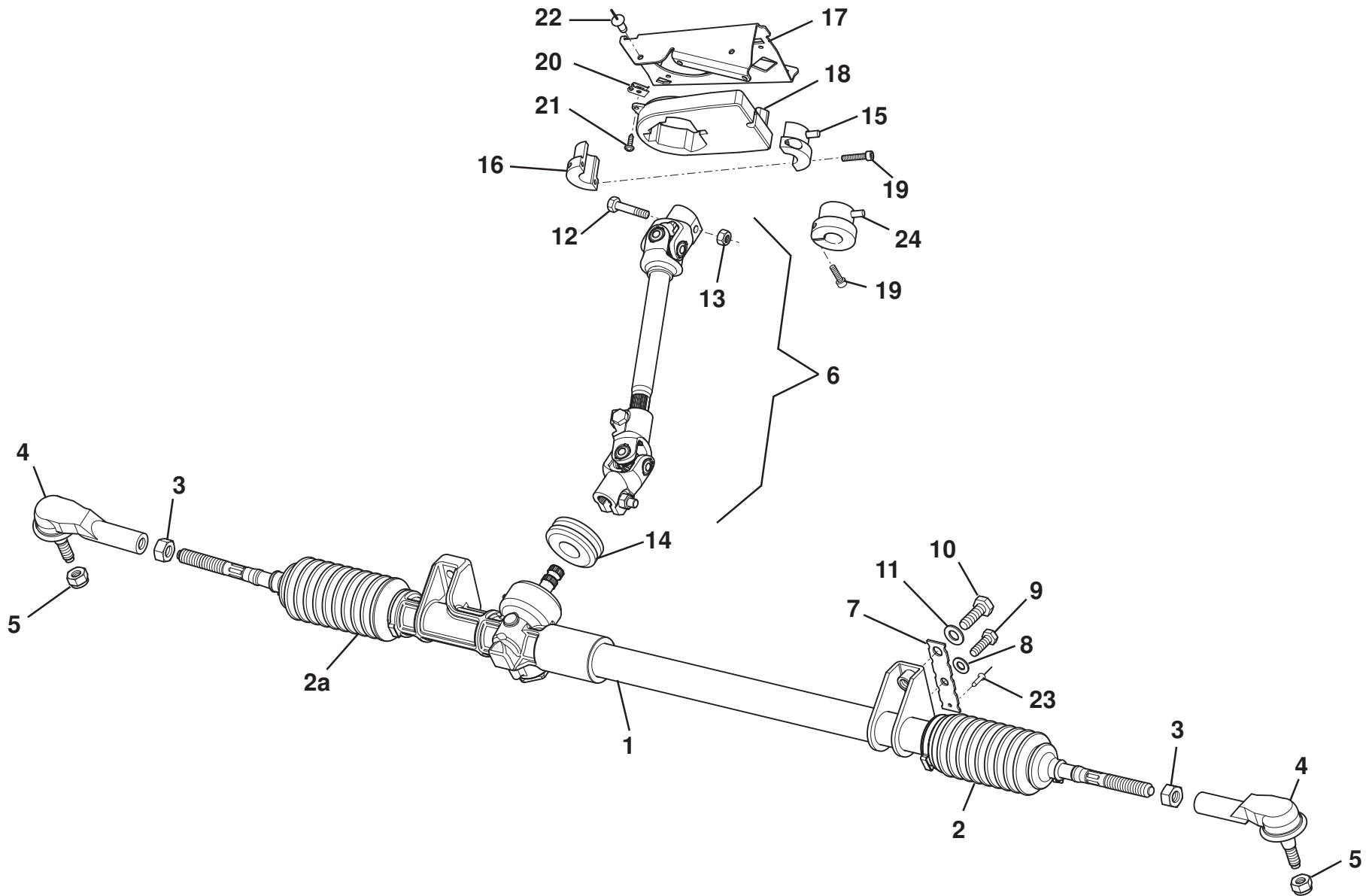
Function Code: 31.03, Page: 2

Updated 31st May 2013

Function Code 31.03 Rear Suspension, Incl. Hubs

<u>Dep</u>	<u>Part Description</u>	<u>Remarks</u>	<u>Option</u>	<u>Part Number</u>	<u>Qty</u>
28	Bolt M12 x 85 hex flg. wishbone upper			A132W2040F	4
29	Nut M12 hex flg, wishbone upper			A132W3010F	4
30	Bolt M10 x 20 flg hd. ARB			A132W5007F	4
31	Nut M12 hex flg, droplink			A132W3022F	4
32	Screw M8 x 20 hex flg. Damper bracket			A132W5005F	6
33	Nut M8 hex flg, damper bracket			A132W3006F	4
34	Cambolt M12 x 95 hex flg hd. Lower wishbone			B132W2021F	2
35	Bolt M12 x 85 hex flg. wishbone lower			A132W2040F	2
36	Washer Cam, wishbone lower			A132W4000F	2
37	Nut M12 hex flg, wishbone upper			A132W3010F	2
38	Bolt M10 x 55 hex flg, top damper mount			A138W2003F	2
39	Nut M10 hex flg, top damper mount			A132W3005F	2
40	Bolt M10 x 100 hex flg, wishbone mtg brkt			A116W5235F	2
41	Nut M10 hex flg, wishbone mtg brkt			A132W3005F	2
42	Screw M10 x 50 hex hd, hub			A132W2045F	8
43	Washer Flat M14 x 30, upright lower			B132D0033F	4
44	Washer 7/16 x 7/8			B120W4199F	8
45	Spherical Joint, hub carrier	2 lower 1 upper per side		A132D6006F	6
46	Bolt M14 x 90 hex flg, toe link			A138W6022F	2
47	Toe Link Outer			B138D0090F	2





EXIGE

32.01

Updated 1st October 2013

Service Parts List

EXIGE



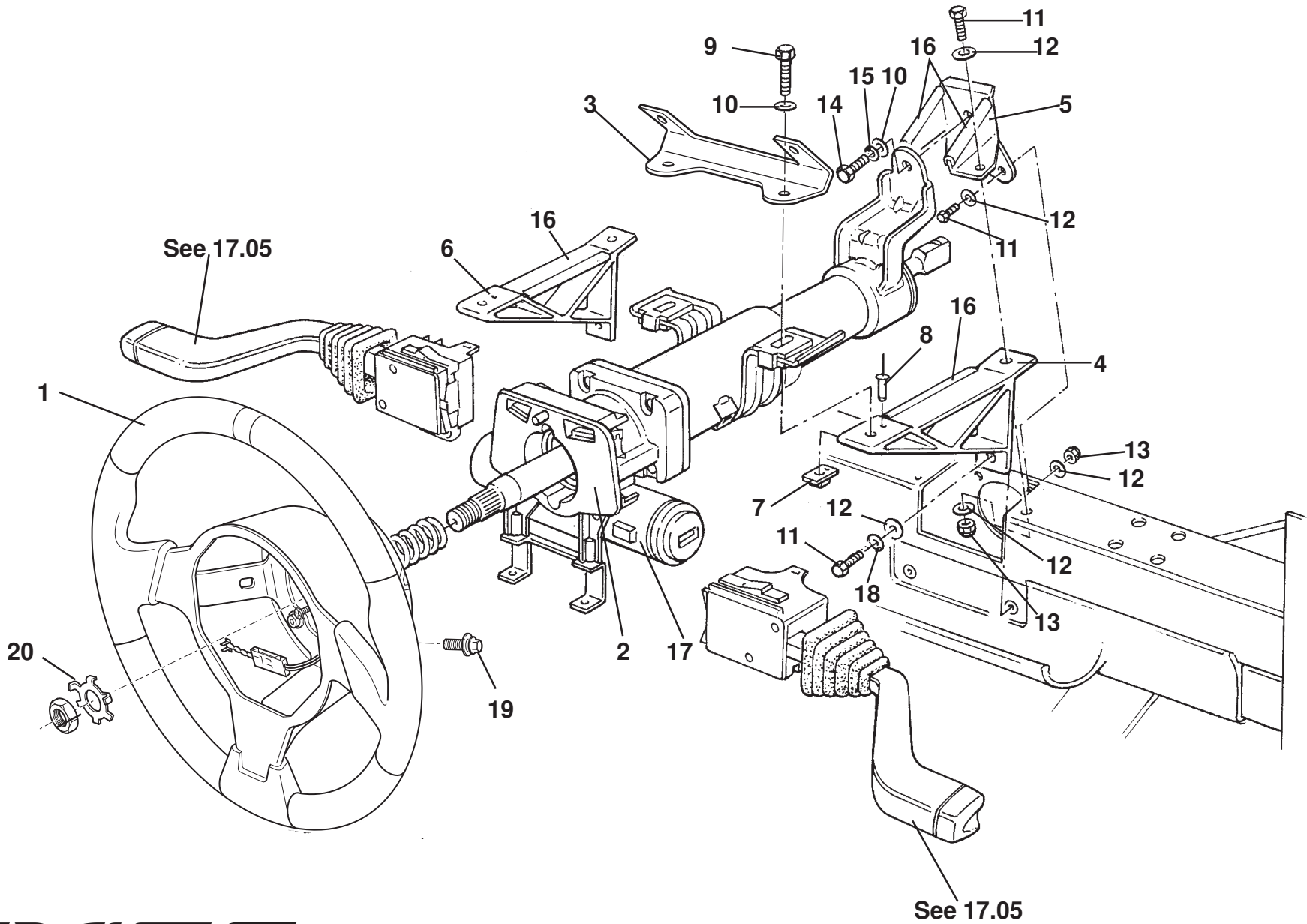
Function Code 32.01 Rack & Pinion, & Lower Column

<u>Dep</u>	<u>Part Description</u>	<u>Remarks</u>	<u>Option</u>	<u>Part Number</u>	<u>Qty</u>
01	Steering Rack Assembly, RHD			A117H0052F	1
01a	Steering Rack Assembly, LHD			A117H0053F	1
02	Gaiter, steering rack, non-pinion end			A120H6004S	1
02a	Gaiter, steering rack, pinion end			A120H6005S	1
03	Lock Nut, M12 , track rod end to track rod			A111W3124F	2
04	Track Rod End/Ball Joint			B138H0006F	2
05	Nyloc Nut, M10, track rod end to steering arm			A111W3157F	2
06	Intermediate Steering Shaft, Assembly			B120H0011F	1
07	Adjuster Plate, rack height setting (10 notch)			A111H0021F	2
08	Washer, flat, M8, rack mounting			A075W4020Z	2
09	Setscrew, M8 x 25, hex. hd., rack mounting			A082W1110F	2
10	Setscrew, M10 x 30, hex. hd., rack mounting			A100A6028F	2
11	Washer, flat, M10, rack mounting			A075W4024Z	2
12	Bolt, M8 x 40, hex. hd., 10.9 grade, steering shaft to U/J			A918W2171F	4
13	Nyloc Nut, M8, steering shaft to U/J			A075W3010Z	4
14	Seal, steering shaft thro' bulkhead			A120H0002F	1
15	Collar SWA sensor upper			A120J0076F	1
16	Collar SWA sensor lower			A120J0077F	1

EXIGE

Function Code 32.01 Rack & Pinion, & Lower Column

<u>Dep</u>	<u>Part Description</u>	<u>Remarks</u>	<u>Option</u>	<u>Part Number</u>	<u>Qty</u>
17	Bracket SWA sensor RHD			A138J4050F	1
17a	Bracket SWA sensor LHD			A138J4049F	1
18	Sensor, steering angle			A132J0092F	1
19	Screw M5 x 25 Socket hd cap, SWA collar			A132W7001F	2
20	Nut Spire No 8, sensor, steering angle			A075W6016F	3
21	Screw No 6 flg pozi, sensor, steering angle			A075W5012F	3
22	Pop Rivet, sensor bracket			A082W6259F	4
23	Pop Rivet			A082W6512F	2
24	Collar SWA sensor	To be confirmed		A120J0094F	1



EXIGE

32.05

Updated 1st October 2013

Service Parts List

EXIGE



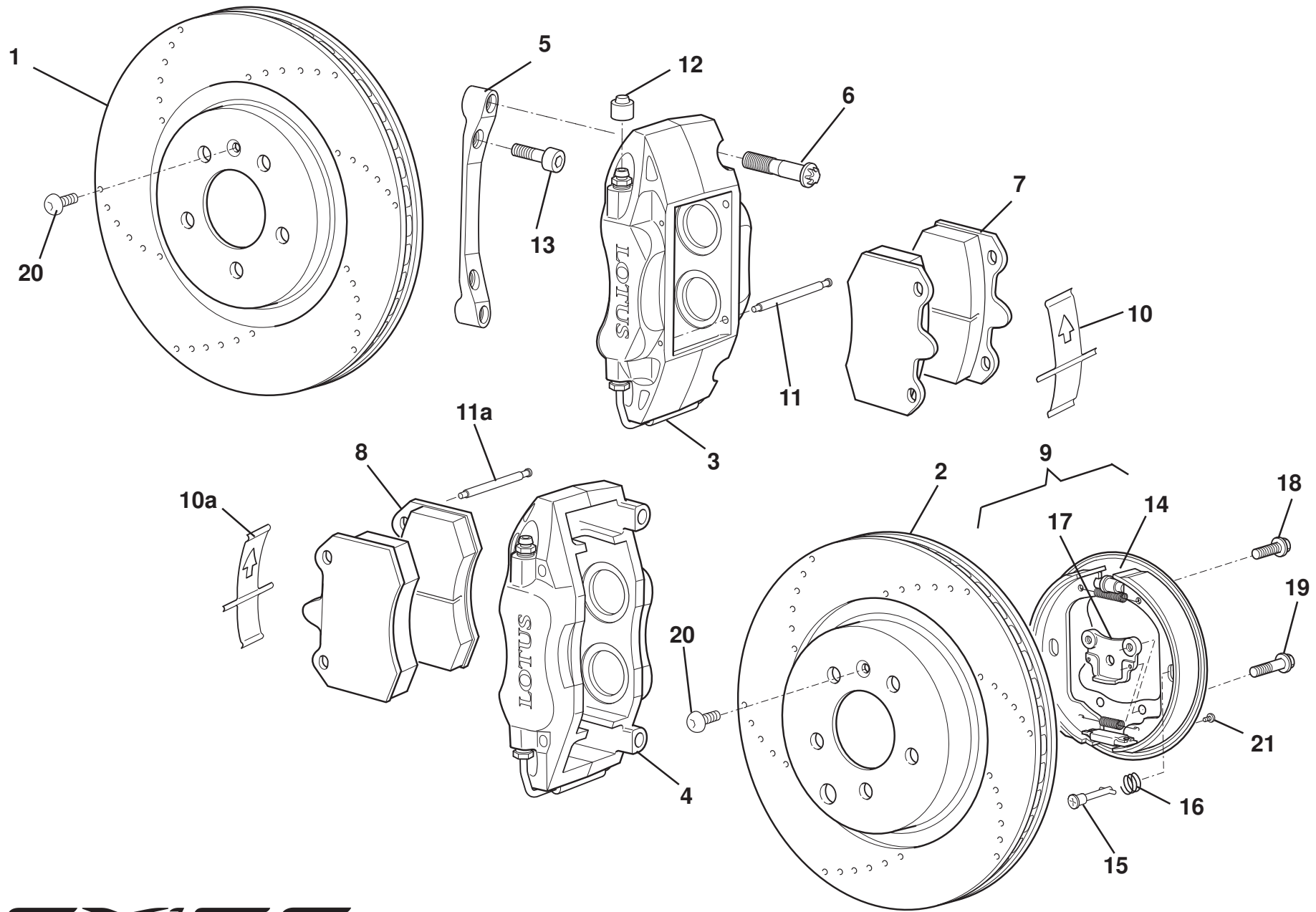
Function Code 32.05 Upper Column, Steering Wheel

<u>Dep</u>	<u>Part Description</u>	<u>Remarks</u>	<u>Option</u>	<u>Part Number</u>	<u>Qty</u>
01	Steering Wheel Assembly, SIR	Includes rotary connector		A116U0085F	1
01a	Steering Wheel Assembly, SIR, black leather	Includes rotary connector	Premium trim	A138V0013F	1
02	Upper Steering Column	Includes ign. switch/steering lock		A117H6001F	1
03	Bracket, switch module mounting			A121H0001F	1
04	Column Mounting Bracket, RH			E117U0016F	1
05	Bracket, forward column mounting			B111H0004F	1
06	Column Mounting Bracket, LH			E117U0135F	1
07	Nutplate, upper column support			B111H0007F	2
08	Pop Rivet, nutplate to bracket			A075W6092F	2
09	Bolt, M8 x 35, hex. hd., column to bracket			B075W2038F	2
10	Washer, flat, M8 x 20 x 2.5			A079W4019F	3
11	Setscrew, M6 x 16, side to forward brk/chassis			A075W1028Z	6
12	Washer, flat, M6 x 12.1 x 1.4			A075W4013Z	10
13	Nyloc Nut, M6			A907E6285F	4
14	Setscrew, M8 x 16 hex. hd., front mounting			A075W1036Z	1
15	Washer, spring, M8			A075W4036Z	1
16	Rubber Beading, bracket edge protection			B075U6054V	0.3M
17	Steering Lock Housing	Excluding lock barrel, see 10.17, item 1		A111H6003S	1

EXIGE

Function Code 32.05 Upper Column, Steering Wheel

<u>Dep</u>	<u>Part Description</u>	<u>Remarks</u>	<u>Option</u>	<u>Part Number</u>	<u>Qty</u>
18	Washer, spring, M6			A075W4035F	2
19	Shear Bolt, steering lock			A111H6026S	2
20	Lock Plate, steering wheel			A111H6009F	1



EXIGE

33.01

Updated 4th April 2013

Service Parts List

EXIGE



Function Code 33.01 Brake Discs, Calipers, & Parking Brake Assembly

<u>Dep</u>	<u>Part Description</u>	<u>Remarks</u>	<u>Option</u>	<u>Part Number</u>	<u>Qty</u>
01	Brake Disc, front, cross-drilled, LH			A138J0014F	1
01a	Brake Disc, front, 2 piece cross-drilled, LH		Optional	B138J4045F	
01b	Brake Disc, front, cross-drilled, RH			A138J0015F	1
01c	Brake Disc, front, 2 piece cross-drilled, RH		Optional	B138J4046F	
02	Brake Disc, rear, cross-drilled, LH			B138J4051F	1
02a	Brake Disc, rear, 2 piece cross-drilled, LH		Optional	B138J4047F	
02b	Brake Disc, rear, cross-drilled, RH			B138J4052F	1
02c	Brake Disc, rear, 2 piece cross-drilled, RH		Optional	B138J4048F	
03	Brake Caliper, front, grey LH	Includes pads		A138J4033F	1
03a	Brake Caliper, front, grey RH	Includes pads		A138J4034F	1
03b	Brake Caliper, front, red, LH	Includes pads		A138J4037F	1
03c	Brake Caliper, front, red, RH	Includes pads		A138J4038F	1
03d	Brake Caliper, front, yellow, LH	Includes pads		A138J4041F	1
03e	Brake Caliper, front, yellow, RH	Includes pads		A138J4042F	1
03f	Brake Caliper, front, black LH	Includes pads		A138J4017F	1
03g	Brake Caliper, front, black RH	Includes pads		A138J4018F	1
03h	Brake Caliper, front, silver LH	Includes pads	Roadster	A138J4055F	1
03i	Brake Caliper, front, silver RH	Includes pads	Roadster	A138J4056F	1

EXIGE

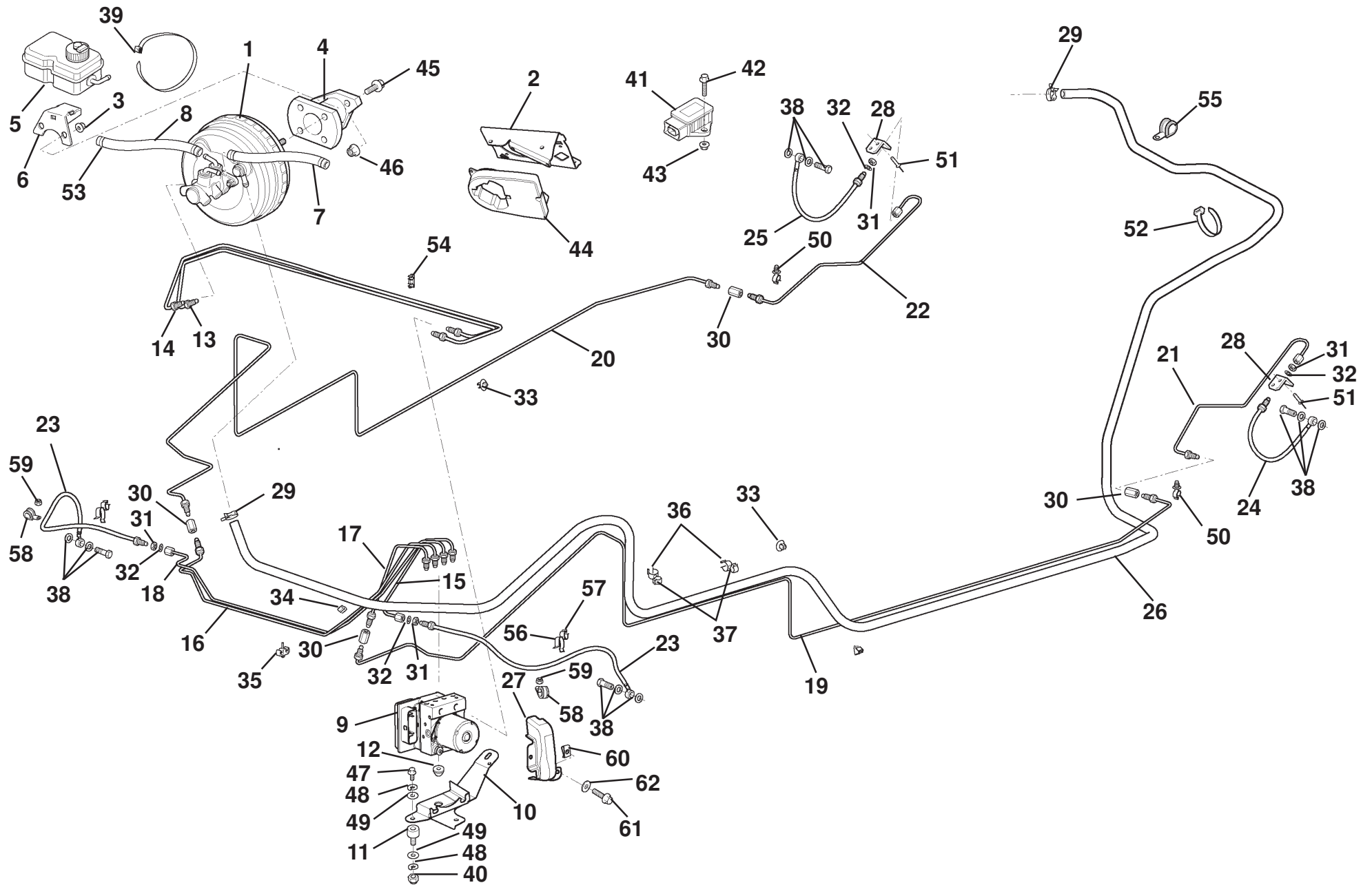
Function Code 33.01 Brake Discs, Calipers, & Parking Brake Assembly

<u>Dep</u>	<u>Part Description</u>	<u>Remarks</u>	<u>Option</u>	<u>Part Number</u>	<u>Qty</u>
04	Brake Caliper, rear, grey LH	Includes pads		A138J4035F	1
04a	Brake Caliper, rear, grey RH	Includes pads		A138J4036F	1
04b	Brake Caliper, rear, red LH	Includes pads		A138J4039F	1
04c	Brake Caliper, rear, red RH	Includes pads		A138J4040F	1
04d	Brake Caliper, rear, yellow LH	Includes pads		A138J4043F	1
04e	Brake Caliper, rear, yellow RH	Includes pads		A138J4044F	1
04f	Brake Caliper, rear, black LH	Includes pads		A138J4019F	1
04g	Brake Caliper, rear, black LH	Includes pads		A138J4020F	1
04h	Brake Caliper, rear, silver LH	Includes pads	Roadster	A138J4057F	1
04i	Brake Caliper, rear, silver RH	Includes pads	Roadster	A138J4058F	1
05	Assembly Caliper Mount Front LH			C138J4015F	1
05a	Assembly Caliper Mount Front RH			C138J4016F	1
06	Bolt M12 x 70 lobe hd, caliper mounting			A138J6001F	8
07	Brake Pad set front	Includes clips and pins		A132J0001S	1
08	Brake Pad set rear	Includes clips and pins		A132J0002S	1
09	Parking Brake Assembly	Includes adjuster & springs, brake shoes & backplate		B132J0145F	2
10	Clip, anti-rattle front			A132J6056S	2
10a	Clip, anti-rattle rear			A132J6061S	2
11	Pin, pad retaining front			A132J6057S	4
11a	Pin, pad retaining rear			A132J6062S	4



Function Code 33.01 Brake Discs, Calipers, & Parking Brake Assembly

<u>Dep</u>	<u>Part Description</u>	<u>Remarks</u>	<u>Option</u>	<u>Part Number</u>	<u>Qty</u>
12	Dust Cap, bleed nipple			A132J6058S	8
13	Bolt M10 x 30 skt cap hd, caliper mount to upright			A138W2005F	4
14	Back Plate, parking brake			B132J0134F	2
15	Fastener, quarter turn, shoe retaining			A132J6047F	4
16	Spring, fastener to backplate			A132J6048F	4
17	Support Block, shoe assembly			A132J6045F	2
18	Bolt M10 x 45 hex flg backplate to hub			A132W2005F	4
19	Bolt M10 x 40 hex flg. backplate to hub			A132W2044F	2
20	Screw, M8 x 12 skt. hd cap, disc to hub			A111W7131F	4
21	Screw, M6 x 7, button hd., block to backplate			A132W5024F	4



EXIGE
33.03

Updated 1st August 2013

Service Parts List

EXIGE



Function Code 33.03 Master Cylinder, Servo, ABS Controller, Pipes & Hoses

<u>Dep</u>	<u>Part Description</u>	<u>Remarks</u>	<u>Option</u>	<u>Part Number</u>	<u>Qty</u>
01	Brake Servo and Master Cylinder Assembly			A132J6004F	1
02	Bracket, steering angle sensor, LHD			A138J4049F	1
02a	Bracket, steering angle sensor, RHD			A138J4050F	1
03	Nut M8 hex flg., booster to spacer			A111W3154F	4
04	Spacer, brake servo RHD			A138J0061F	1
04a	Spacer, brake servo LHD			A138J0024F	1
05	Reservoir, brake			A132J0200F	1
06	Bracket Assembly, reservoir mounting			A138J0084F	1
07	Hose, reservoir to M/C front, LHD	Cut to length		A132J0141V	337mm
07a	Hose, reservoir to M/C front, RHD	Cut to length		A132J0141V	337mm
08	Hose, reservoir to M/C rear, LHD	Cut to length		A132J0141V	337mm
08a	Hose, reservoir to M/C rear, RHD	Cut to length		A132J0141V	337mm
09	ESP Module Assembly, uncalibrated	Supplied pre-filled, dealer programmed on tech centre		A132J0223S	1
10	Bracket Assembly ESP Module			A120J0073F	1
11	Rubber Bobbin Mounting			A082J6177F	3
12	Bush Module Mounting			A132J0206F	1
13	Brake Pipe Assembly, ABS to m/cylinder rear RHD			A138J0045F	1
13a	Brake Pipe Assembly, ABS to m/cylinder rear LHD			A138J0035F	1

EXIGE

Function Code 33.03 Master Cylinder, Servo, ABS Controller, Pipes & Hoses

<u>Dep</u>	<u>Part Description</u>	<u>Remarks</u>	<u>Option</u>	<u>Part Number</u>	<u>Qty</u>
14	Brake Pipe Assembly, ABS to m/cylinder front RHD			A138J0046F	1
14a	Brake Pipe Assembly, ABS to m/cylinder front LHD			A138J0036F	1
15	Brake Pipe Assembly, ABS to left front			A120J0079F	1
16	Brake Pipe assembly, ABS to left bodyside			A138J0082F	1
17	Brake Pipe Assembly, ABS to right front			B138J0037F	1
18	Brake Pipe assembly, ABS to right bodyside			B138J0038F	1
19	Brake Pipe Assembly, bodyside front to rear LH			B138J4027F	1
20	Brake Pipe Assembly, bodyside front to rear RH			B138J4028F	1
21	Brake Pipe Assembly, rear to flexi LH			B138J4011F	1
22	Brake Pipe Assembly, rear to flexi RH			B138J4012F	1
23	Brake Hose Assembly Front			A138J0009F	2
24	Brake Hose Assembly Rear LH			A132J4037F	1
25	Brake Hose Assembly Rear RH			A132J4038F	1
26	Vacuum Hose Side RHD			A138J0008F	1
26a	Vacuum Hose Side LHD			A138J0005F	1
27	Shield splash, ABS module			A120B0387F	1
28	Bracket, brake hose rear			C132J0017F	2
29	Hose Clamp 18mm			A120W6739F	2
30	Connector Tube			B116J6032F	4
31	Lock Nut M10 hex			A075J6017F	4
32	Washer Shakeproof M10			A075W4049F	4



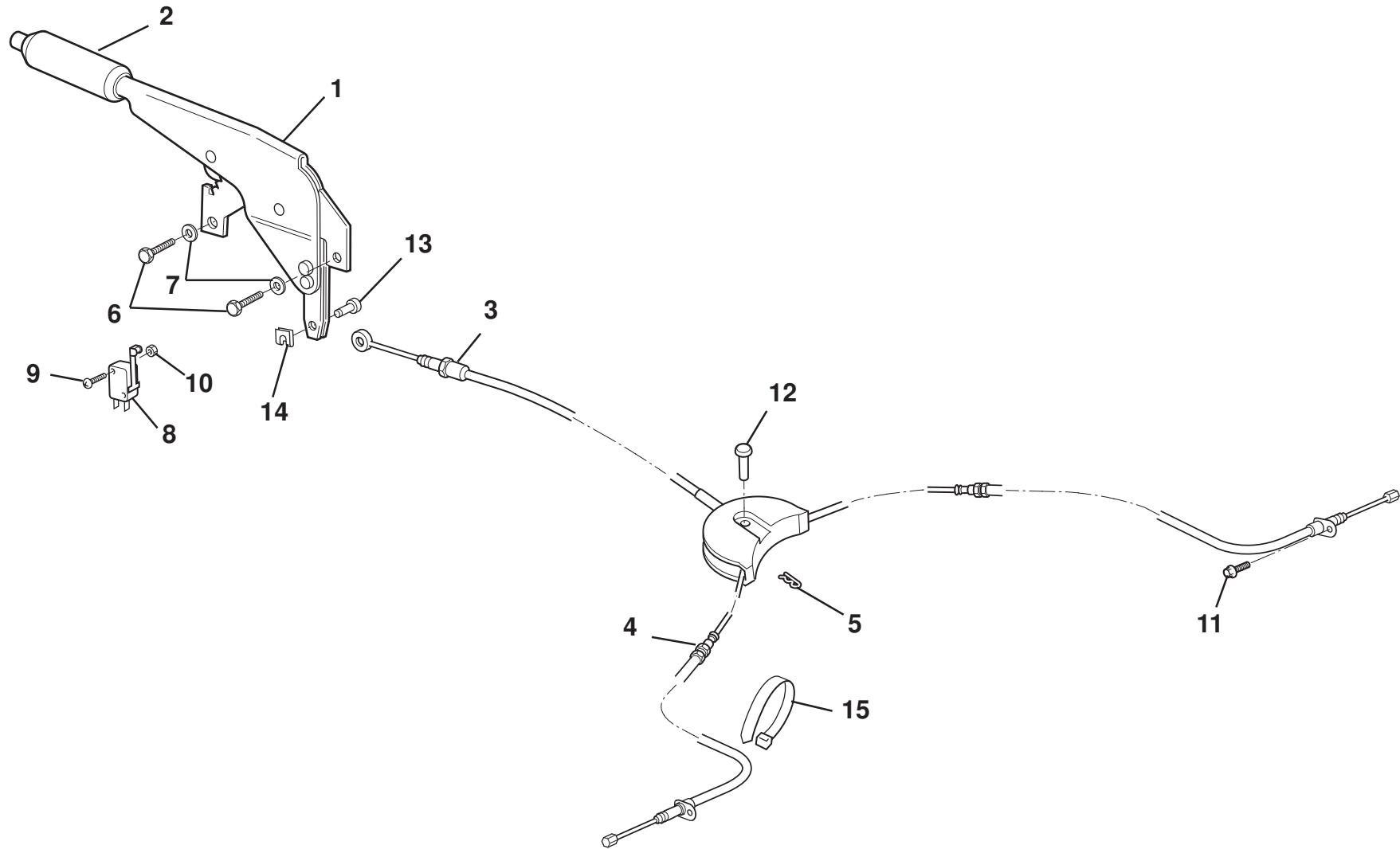
Function Code 33.03 Master Cylinder, Servo, ABS Controller, Pipes & Hoses

<u>Dep</u>	<u>Part Description</u>	<u>Remarks</u>	<u>Option</u>	<u>Part Number</u>	<u>Qty</u>
33	Pipe Clip			A116W6661F	18
34	Pipe Clip, 2 way			A082W6547F	3
35	Pipe Clip, 2 way			A100J6044F	1
36	Clip Swivel			A082W6587F	4
37	Clip Swivel			A116W6656F	4
38	Banjo Bolt + Washers	P/O hose assembly		B132J6006J	4
39	Cable Tie, reservoir to bracket			B075W6045Z	1
40	Nyloc Nut, M6, bobbin fix.			A075W3009Z	3
41	Yaw Rate Sensor	Under tunnel trim		A132J0093F	1
42	Screw, M6 x 20, hex. flg. hd., sensor mounting			A117W2203F	2
43	Nut M6, flg., sensor mounting			A117W3180F	2
44	Steering Angle Sensor	See 32.05		A132J0092F	1
45	Screw M8 x 25, hex flg hd. spacer to pedal box			A132W5006F	2
46	Nut M8 hex flg., spacer to pedal box			A132J6024H	2
47	Screw, M6 x 10, hex. hd., bobbin to bracket			A075W1026Z	3
48	Washer, spring, M6, bobbin to bracket			A075W4035Z	6
49	Washer, flat, M6 x 15, bobbin to bracket			A075W4015Z	6
50	Clip Swivel, fir tree			A120W6893F	2
51	Pop Rivet, bracket brake hose rear			A085W6259F	4
52	Cable Tie, vacuum pipe			A075W6038Z	3
53	Clip Oetiker, reservoir hoses			A124W6818F	6



Function Code 33.03 Master Cylinder, Servo, ABS Controller, Pipes & Hoses

<u>Dep</u>	<u>Part Description</u>	<u>Remarks</u>	<u>Option</u>	<u>Part Number</u>	<u>Qty</u>
54	Pipe Clip, 2 way	LHD 2 off, RHD 4 off		A138W6020F	As req.
55	'P' Clip, vacuum hose			A111W6666F	1
56	Clip Swivel, 6-10mm, brake hose			A116W6656F	6
57	Clip, wheel speed sensor			A082W6325F	6
58	Clip, 10mm dia. x 15 wide, hose retention			A111W6595F	2
59	Nyloc Nut, M6, thin Zn, clip to wishbone			A907E6285F	2
60	Speed Nut M6			A117W3181F	2
61	Screw M6 x 16 hex flg			A132W5003F	2
62	Washer M6 x 25 x 1.4 s/s			A082w4131F	2



EXIGE
33.05

Updated 16th July 2012

Service Parts List

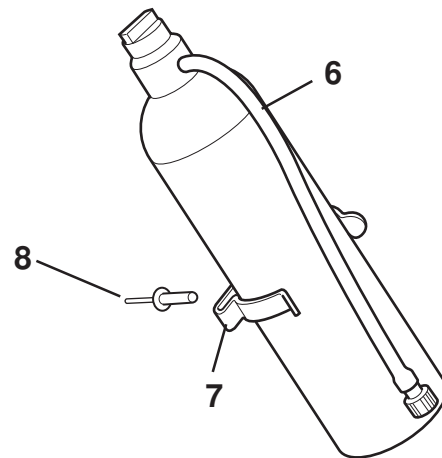
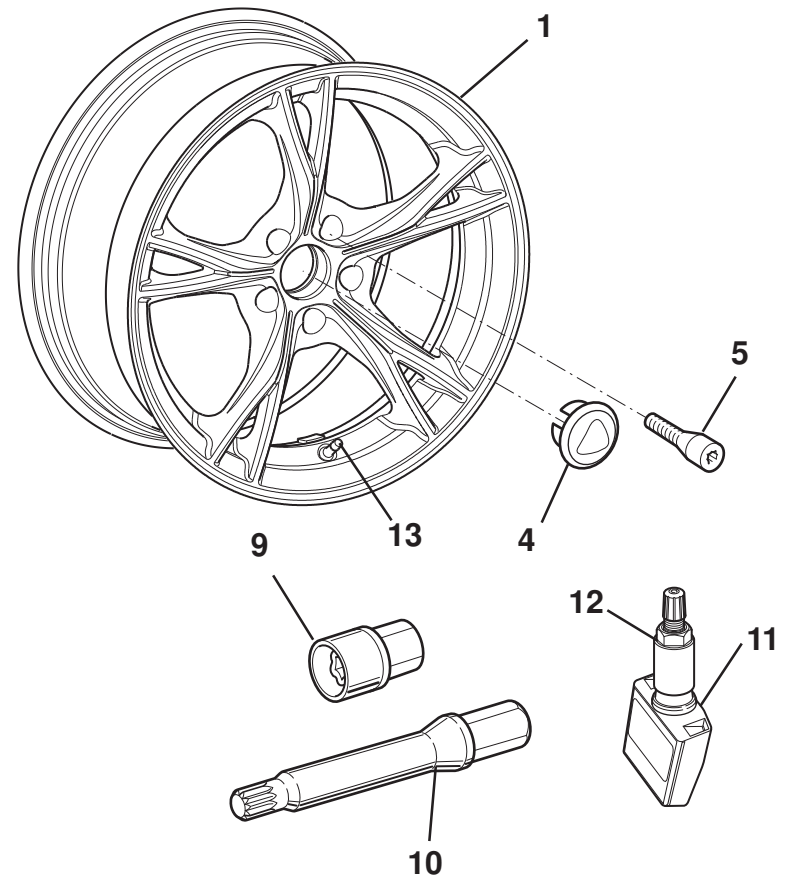
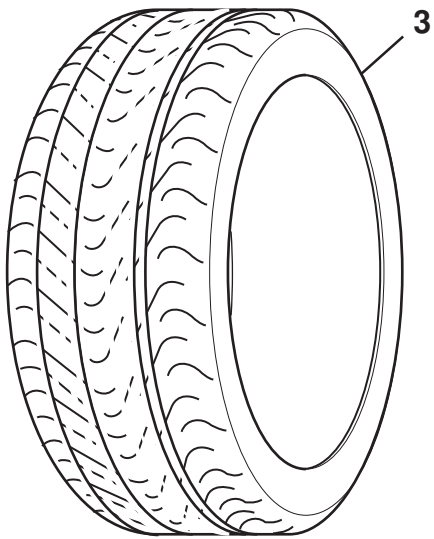
EXIGE



Function Code 33.05 Parking Brake Mechanism

<u>Dep</u>	<u>Part Description</u>	<u>Remarks</u>	<u>Option</u>	<u>Part Number</u>	<u>Qty</u>
01	Parking Brake Assembly, without hand grip			A132J0147F	1
02	Parking Brake Hand-Grip, alloy			A117U0147F	1
03	Cable, parking brake primary			A120J0005H	1
04	Cable Assembly, parking brake, secondary	Includes equaliser		A138J0034F	1
05	'R' Clip			A075W6175F	1
06	Screw, M8 x 25, hex. hd., lever fixing			A075W1039Z	2
07	Washer, flat, M8 x 16 x 1.4, lever fixing			A075W4020Z	2
08	Switch, parking brake tell-tale			A116J6009H	1
09	Screw, M3 x 16, pan hd. pozi., switch fixing			A082W5110F	2
10	Nyloc Nut, M3, switch fixing			A079W3060F	2
11	Screw M6 x 12 hex flg, secondary cable			A132W5010F	2
12	Clevis Pin 8 x 16 mm			A111W6674F	1
13	Clevis Pin			A132J0236S	1
14	Clip, pin retention			A132J0237S	1
15	Tie wrap, cable to wishbone			A120A0202F	2

EXIGE



EXIGE

34.01

Updated 27th february 2013

Service Parts List

EXIGE



Function Code 34.01 Wheels, Tyres & Valves

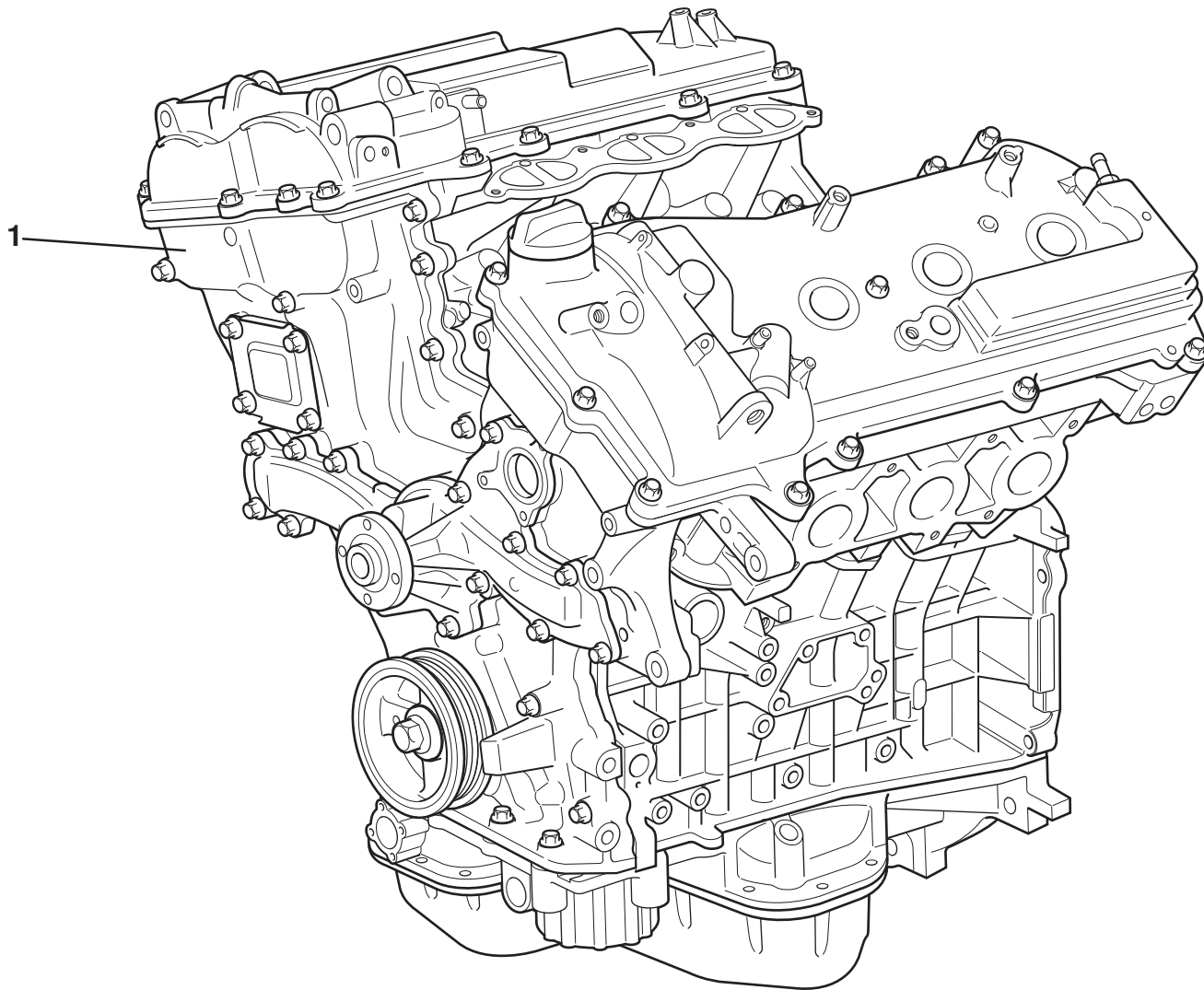
<u>Dep</u>	<u>Part Description</u>	<u>Remarks</u>	<u>Option</u>	<u>Part Number</u>	<u>Qty</u>
01	Wheel Front 7.5J x17 ET26.3, five Y spoke, cast diamond cut			A138G0001F	2
01a	Wheel Front 7.5J x17 ET26.3, five Y spoke, cast gloss black			A138G0019F	2
01b	Wheel Front 7.5J x17 ET26.3, five Y spoke, cast silver			A138G0020F	2
01c	Wheel Rear 9.5J x18 ET35, five Y spoke, cast diamond cut			A138G0002F	2
01d	Wheel Rear 9.5J x18 ET35, five Y spoke, cast gloss black			A138G0024F	2
01e	Wheel Rear 9.5J x18 ET35, five Y spoke, cast silver			A138G0052F	2
02	Winter Wheel Front 7.5J x17 ET30	Not illustrated		A138G0007F	2
02a	Winter Wheel Rear 8.0J x18 ET15	Not illustrated		A138G0008F	2
03	Tyre Front Pirelli Corsa 205 45 ZR17		With Sports Suspension	A138G0003F	2
03a	Tyre Rear Pirelli Corsa 265 35 ZR18		With Sports Suspension	A138G0004F	2
03b	Tyre Front Trofeo 205 45 R17 88Y		With Race Suspension	A138G0030F	2
03c	Tyre Rear Trofeo 265 35 R18 93Y		With Race Suspension	A138G0031F	2
03d	Tyre Winter Front Pirelli 205 45 R17	Not illustrated		A138G0006F	2
03e	Tyre Winter Rear Pirelli 235 40 R18	Not illustrated		A138G0005F	2
04	Wheel Centre Cover, Lotus logo			A132G0011F	4
05	Wheel Bolt, socket hd.			A132G6002F	16
06	Tyre Weld, repair canister			A132G6000F	1

EXIGE

Function Code 34.01 Wheels, Tyres & Valves

<u>Dep</u>	<u>Part Description</u>	<u>Remarks</u>	<u>Option</u>	<u>Part Number</u>	<u>Qty</u>
07	Terry Clip, canister retaining			A132U6085F	1
08	Pop Rivet, clip to bootbox			A085W6259F	2
09	Security Wheelbolt Kit	Incl. ID strip & instruction card*		A132G0047F	1
10	Adaptor, wheel bolt			A117G0036F	1
11	Tyre Valve/TPMS Transmitter	Does not include item 12		A121G6000F	4
12	Nut, conical seal, TPMS transmitter			A121G6001H	4
13	Tyre Valve		Non-TPMS	A117G6007H	4

* For replacement keys contact
Technical Service, quoting ID

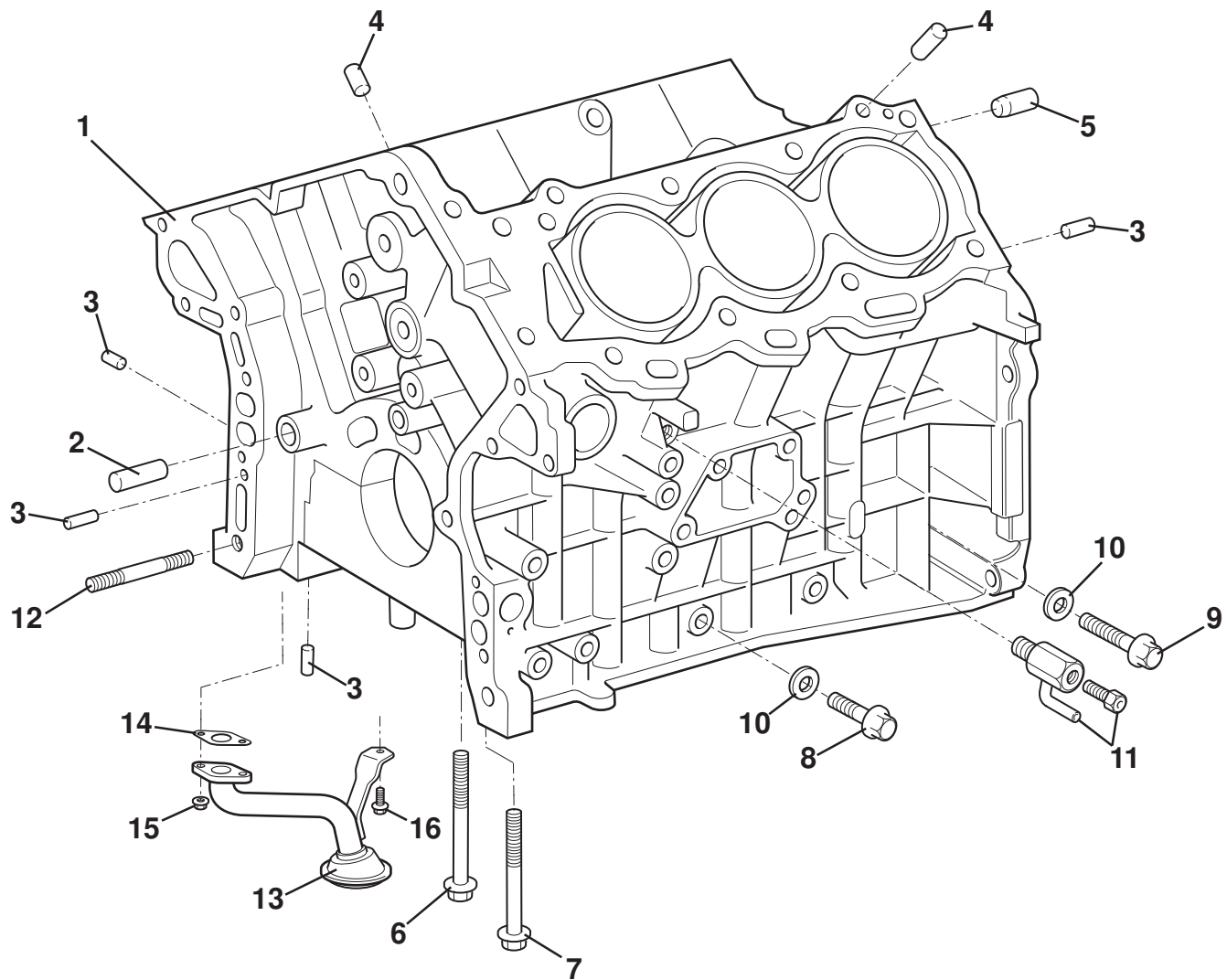


EXIGE

40.00

Function Code 40.00 Engine Assemblies

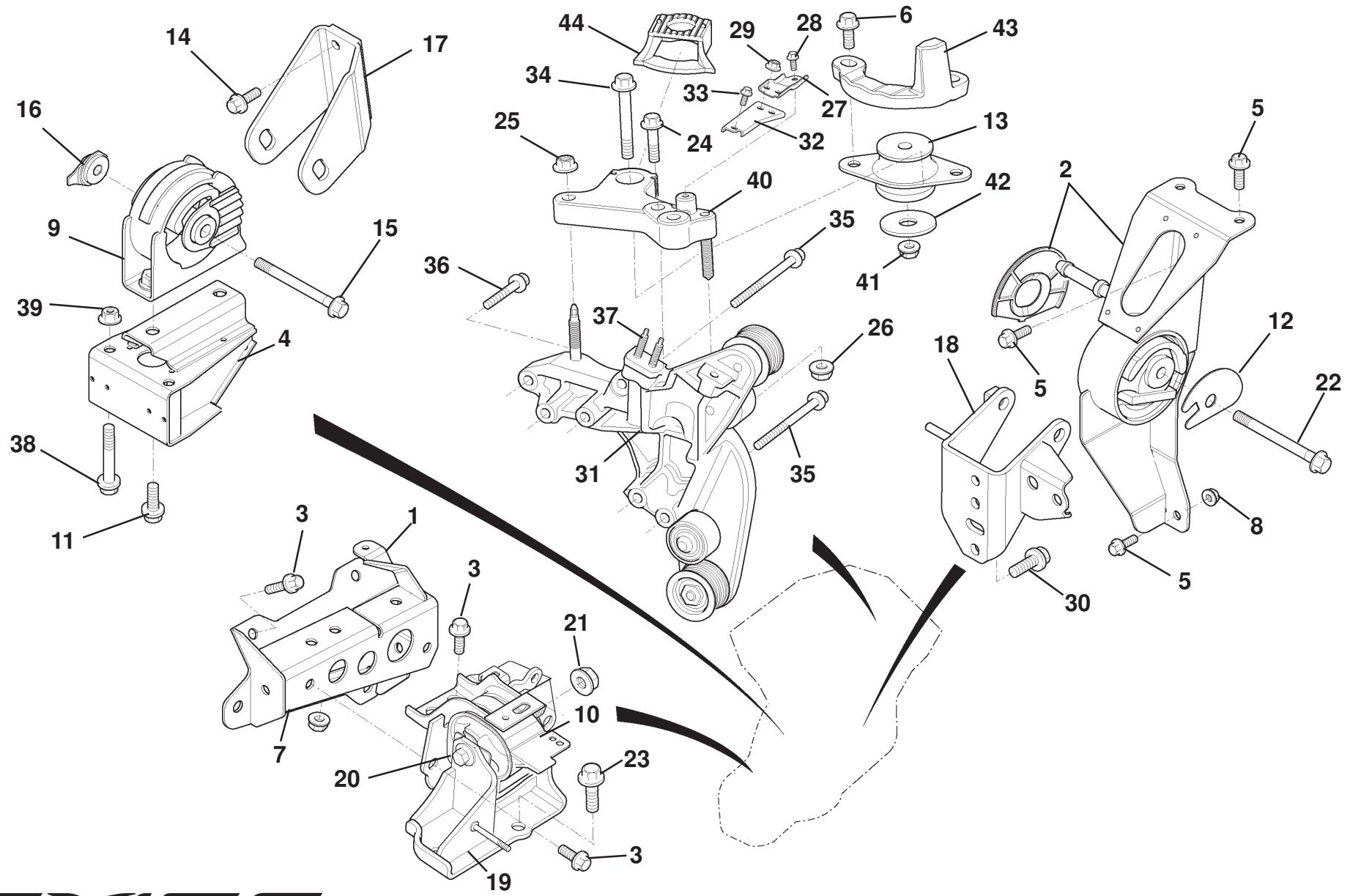
<u>Dep</u>	<u>Part Description</u>	<u>Remarks</u>	<u>Option</u>	<u>Part Number</u>	<u>Qty</u>
01	Engine Assembly, 2GR-FE, undressed			A132E6097S	1
01a	Engine Short Block Assembly			A132E6098S	1



EXIGE
40.01

Function Code 40.01 Engine Block & Oil Pick up

<u>Dep</u>	<u>Part Description</u>	<u>Remarks</u>	<u>Option</u>	<u>Part Number</u>	<u>Qty</u>
01	Cylinder Block Assembly			A132E6144S	1
02	Dowell Pin, block to idler bracket			A132E6157S	1
03	Dowell Pin, block - sump. engine mount, F/R covers			A132E6155S	8
04	Dowell Pin, block to cylinder heads			A132E6156S	4
05	Dowell, block to end plate			A132E6158S	2
06	Bolt, bearing cap, inner			A132E6147S	8
07	Bolt, main bearing cap, outer			A132E6146S	8
08	Bolt, main bearing cap cross retention	Front and centre pair of caps		A132E6148S	6
09	Bolt, main bearing cap cross retention, rear	Rear cap		A132E6149S	2
10	Sealing Washer, cross-bolts			A132E6154S	4
11	Drain Cock Assembly	Includes screw		A132E6159S	2
11a	Plug screw, drain cock			A120E6441S	2
12	Stud, block to front cover			A132E6152S	2
13	Oil Pick-up Pipe Assembly			A132E6420S	1
14	Gasket, pick-up pipe	Also see 40.02a		A132E6234S	1
15	Nut, flg, pipe to front cover			A132E6473S	2
16	Screw, hex. flg. hd., pipe retention			A132E6173S	1



EXIGE

40.01a

Updated 1st May 2013

Service Parts List

EXIGE



Function Code 40.01a Engine Mounts

<u>Dep</u>	<u>Part Description</u>	<u>Remarks</u>	<u>Option</u>	<u>Part Number</u>	<u>Qty</u>
01	Bracket, insulator to subframe LH			B138A0016F	1
02	Insulator/Bracket Assembly, engine mount rear	To be confirmed		A138F0024J	1
03	Screw, M10 x 25, hex. flg. hd., bracket to subframe			A132W5008F	9
04	Engine Mount Assembly, front			A138A0022F	1
05	Screw, M8 x 20, hex. flg. hd., bracket to subframe			A132W5005F	5
06	Bolt, M10 x 30, hex. flg. hd., insulator to subframe			A132W2004F	2
07	Nut, M10, flg., insulator fixing			A132W3005F	3
08	Nut, M8, flg., bracket to subframe			A132W3006F	2
09	Insulator Assembly, engine mount front			A132F0226J	1
10	Insulator Assembly, engine mount LH			B132F0043J	1
11	Bolt, M12 x 30, hex. flg. hd., insulator to subframe			A132W2016F	2
12	Plate, bumper retaining, rear mount			A132F0045F	1
13	Insulator, engine mount, RH			A138E6005F	1
14	Bolt, hex. flg. hd., bracket to transmission			A120E6412S	2
15	Bolt, hex. flg. hd., bracket to insulator front			A132E6361S	1
16	Nut, special, bracket to insulator front			A132E6372S	1
17	Bracket, insulator to transmission, front			C132F0030F	1
18	Bracket, insulator to transmission, rear			A132E6305S	1

EXIGE

Function Code 40.01a Engine Mounts

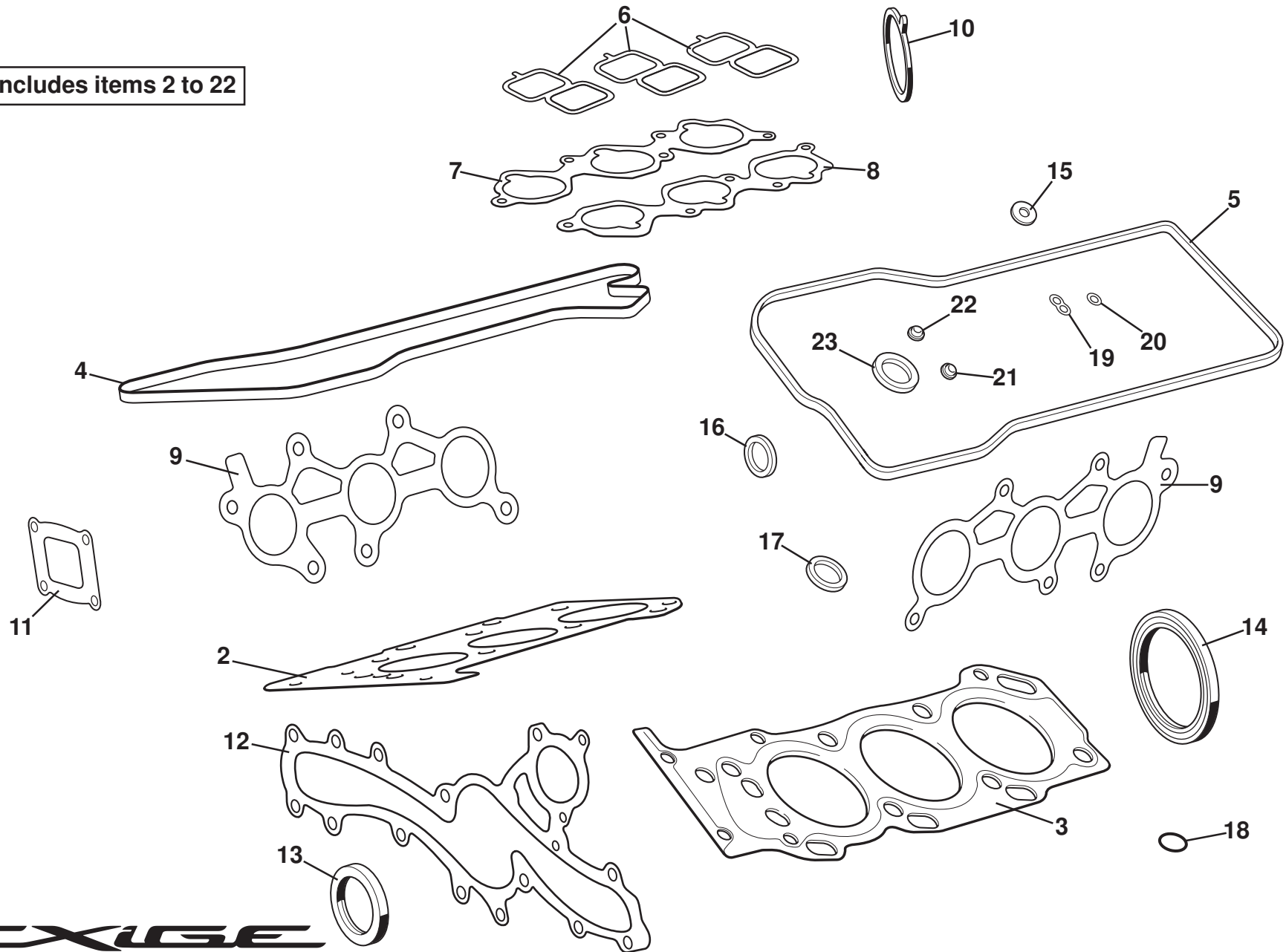
<u>Dep</u>	<u>Part Description</u>	<u>Remarks</u>	<u>Option</u>	<u>Part Number</u>	<u>Qty</u>
19	Bracket, isolator to transmission LH			A132E6306S	1
20	Bolt, hex. flg. hd., bracket to insulator LH			A132F6016H	1
21	Nut, flg., bracket to insulator LH			A132F6017H	1
22	Bolt, hex. flg. hd., bracket to insulator rear			A132E6359S	1
23	Bolt, hex. flg. hd., bracket to transmission			A120E6495S	3
24	Bolt, hex. flg. hd., insulator to engine			A132E6388S	2
25	Nut, flg., insulator to engine	To engine stud		A132E6060H	1
26	Nut, flg., insulator to engine	To insulator stud		A120E6395S	1
27	Stay, bracket assy to bracket engine mounting			A132E6307S	1
28	Bolt, hex. flg. hd w/washer., stay to insulator			A132E6056H	1
29	Nut, M8, flg., stay to bracket engine mounting			A132E6059H	2
30	Bolt, hex. flg. hd., bracket to transmission			A132F6014H	4
31	Bracket Assembly, engine idler mounting	Also see 41.03		A138E6000F	1
32	Stay, bracket engine mounting to inlet manifold			A132E6186S	1
33	Bolt, hex. flg. hd. bracket, engine mounting			A132E6191S	1
34	Bolt M10 x 80, insulator to subframe			A138W2011F	1
35	Bolt, hex. flg. hd.bracket, engine mounting			A132E6188S	4
36	Bolt, hex. flg. hd.bracket, engine mounting			A120E6394S	2
37	Stud. engine stay			A132E6189S	2
38	Bolt M10 x100 hex flange, frt engine mount			A116W5235F	2
39	Nut, M10, flg., frt engine mount			A132W3005F	2



Function Code 40.01a Engine Mounts

<u>Dep</u>	<u>Part Description</u>	<u>Remarks</u>	<u>Option</u>	<u>Part Number</u>	<u>Qty</u>
40	Bracket Insulator RH			A138E0020K	1
41	Nut M10, insulator to subframe			B111W3151F	1
42	Washer Flat M10 x 50 x 3, insulator to subframe			A138E6006F	1
43	Snubber, engine mount RH	To be confirmed		A138E0039F	1
44	Insulator, engine mount snubber RH	To be confirmed		A138E6009F	1

1 includes items 2 to 22



EXIGE
40.02

Function Code 40.02 Gaskets & Sealants, Top Overhaul Set

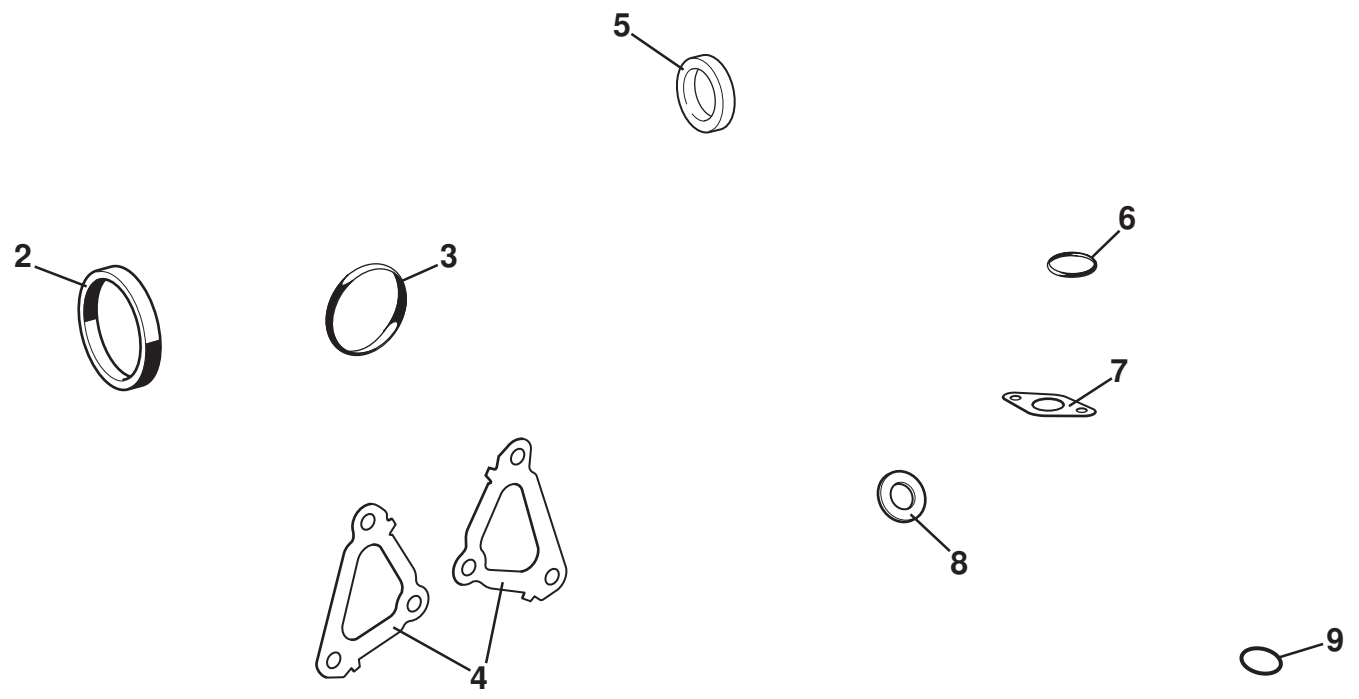
<u>Dep</u>	<u>Part Description</u>	<u>Remarks</u>	<u>Option</u>	<u>Part Number</u>	<u>Qty</u>
01	Gasket Set, top overhaul	Includes items 2 to 22		A132E6100S	1
02	Gasket, cylinder head, RH	Also see 40.05		A132E6119S	1
03	Gasket, cylinder head, LH	Also see 40.05		A132E6120S	1
04	Gasket, cam cover, RH	Also see 40.07		A132E6126S	1
05	Gasket, cam cover, LH	Also see 40.07		A132E6134S	1
06	Gasket, intake plenum to inlet manifold	Also see 42.07		A132E6453S	3
07	Gasket, inlet manifold, LH	Also see 42.07		A132E6276S	1
08	Gasket, inlet manifold, RH	Also see 42.07		A132E6275S	1
09	Gasket, exhaust manifold	Also see 40.21		A132E6308S	2
10	Gasket, throttle body to intake plenum	Also see 42.04, 42.07		A132E6454S	1
11	Gasket, plate to cover	Also see 40.08		A132E6433S	1
12	Gasket, water pump	Also see 40.13		A132E6452S	1
13	Oil Seal, crankshaft front	Also see 40.11		A132E6308S	1
14	Oil Seal, crankshaft rear	Also see 40.11		A132E6162S	1
15	Washer, sealing, bolt no. 4, camshaft cover, centre	Also see 40.07		A132E6129S	2
16	Gasket, plug sealing	Also see 40.05		A132E6108S	2
17	Gasket, plug sealing	Also see 40.05		A132E6107S	2
18	'O' Ring, guide tube to lower guide tube	Also see 40.15		A120E6281S	1
19	Gasket, camshaft bearing cap cover	Also see 40.05		A132E6124S	2
20	Gasket, camshaft bearing cap	Also see 40.05		A132E6130S	6
21	Oil Seal, valve stem, exhaust	Also see 40.05		A132E6229S	12



Function Code 40.02 Gaskets & Sealants, Top Overhaul Set

<u>Dep</u>	<u>Part Description</u>	<u>Remarks</u>	<u>Option</u>	<u>Part Number</u>	<u>Qty</u>
22	Oil Seal, valve stem, inlet	Also see 40.05		A132E6464S	12
23	Gasket, spark plug tube	Not P/O gasket set, see 40.05		A132E6431S	6

1 Includes items shown, plus items 2 to 22 in section 40.02



EXIGE
40.02a

Service Parts List

EXIGE

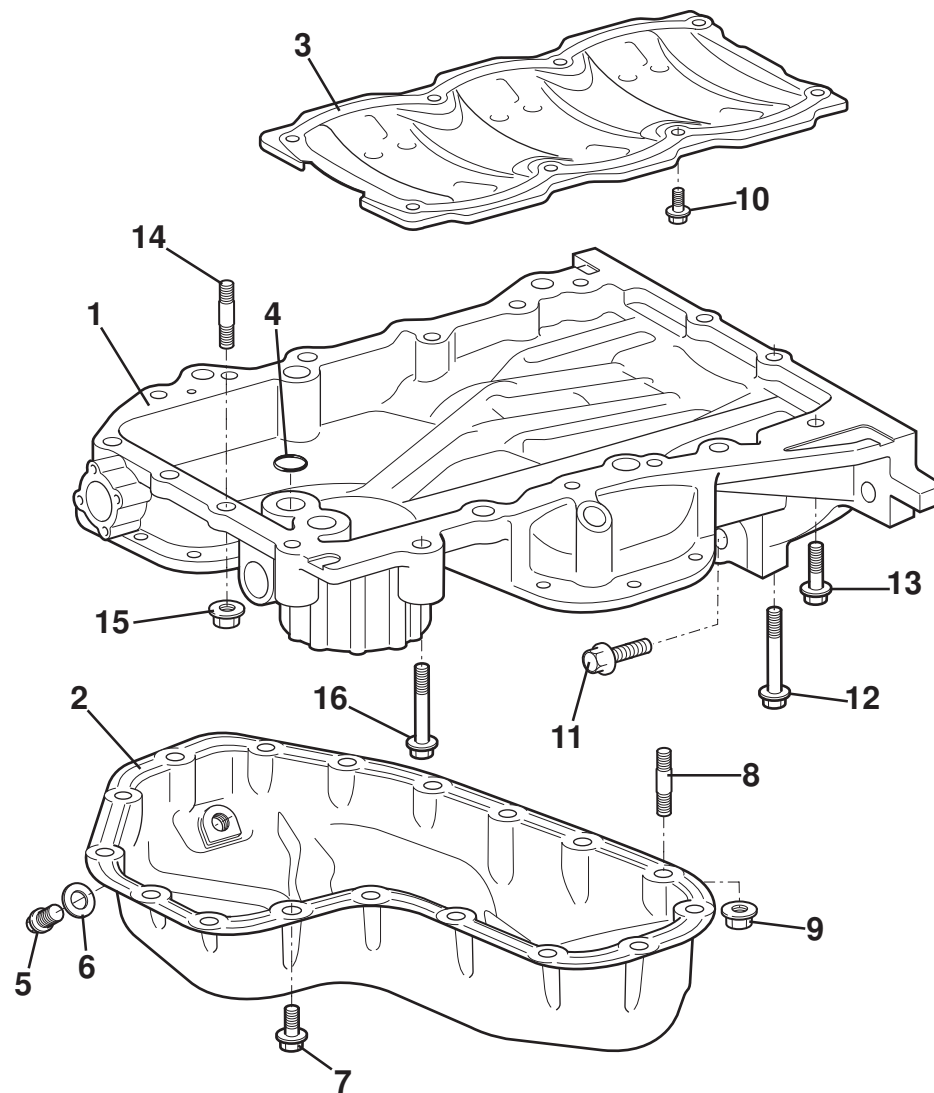


Function Code 40.02a Gaskets & Sealants, Bottom Overhaul Set

<u>Dep</u>	<u>Part Description</u>	<u>Remarks</u>	<u>Option</u>	<u>Part Number</u>	<u>Qty</u>
01	Gasket Set, engine overhaul*	Includes items 2 to 11		A132E6099S	1
02	Gasket Ring, thermostat	Also see 40.13		A132E6253S	1
03	'O' Ring, special, by-pass water inlet housing	Also see 46.01		A132E6252S	1
04	Gasket, water outlet	Also see 46.01		A132E6259S	2
05	Gasket, oil pump	Also see 40.15		A132E6137S	1
06	'O' Ring, sump upper to block	Also see 40.03		A132E6171S	2
07	Gasket, oil pick-up pipe	Also see 40.01		A132E6234S	1
08	Gasket, sump plug	Also see 40.03		A120E6461S	1
09	'O' Ring, lower guide tube to block	Also see 40.15		A132E6165S	1

* Also items 2 to 22 in section
40.02

EXIGE

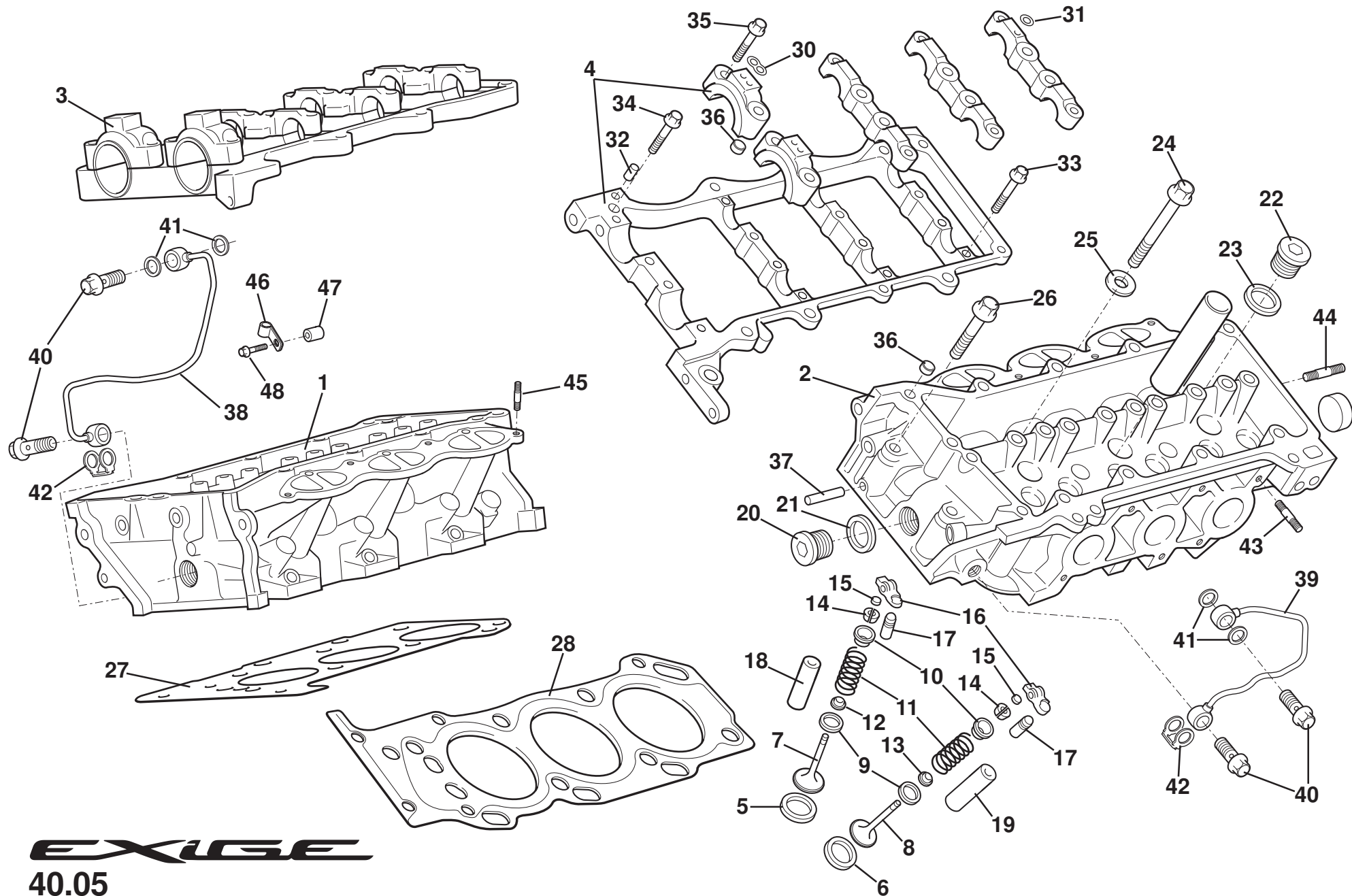


EXIGE

40.03

Function Code 40.03 Sump Assembly

<u>Dep</u>	<u>Part Description</u>	<u>Remarks</u>	<u>Option</u>	<u>Part Number</u>	<u>Qty</u>
01	Sump Assembly, upper			A132E6168S	1
02	Sump Assembly, lower			A132E6169S	1
03	Baffle, sump			A132E6170S	1
04	'O' Ring, sump upper to block			A132E6171S	2
05	Sump Plug			A132E6175S	1
06	Gasket, sump plug			A120E6461S	1
07	Bolt, flg. hd., lower to upper sump			A132E6456S	12
08	Stud, upper to lower sump			A132E6174S	2
09	Nut, flange, lower to upper sump			A132E6458S	2
10	Bolt/Washer, baffle retention			A132E6173S	8
11	Bolt, flg. hd., lupper sump			A132E6479S	2
12	Bolt, flg. hd., upper sump			A132E6478S	2
13	Bolt, flg. hd., upper sump			A132E6478S	2
14	Stud, lupper sump			A132E6116S	2
15	Nut, flange, upper sump			A132E6474S	2
16	Bolt, flg. hd., upper sump			A132E6178S	2



EXIGE
40.05

Updated 27th September 2012

Service Parts List

EXIGE



Function Code 40.05 Cylinder Head , Valves, Springs

<u>Dep</u>	<u>Part Description</u>	<u>Remarks</u>	<u>Option</u>	<u>Part Number</u>	<u>Qty</u>
01	Cylinder Head Assembly, RH			A132E6101S	1
02	Cylinder Head Assembly, LH			A132E6110S	1
03	Camshaft Housing, RH	Includes bearing caps		A132E6111S	1
04	Camshaft Housing, LH	Includes bearing caps		A132E6114S	1
05	Valve Seat, inlet			A132E6102S	12
06	Valve Seat, exhaust			A132E6103S	12
07	Inlet Valve			A132E6223S	12
08	Exhaust Valve			A132E6224S	12
09	Seat, valve spring			A132E6225S	24
10	Retainer, valve spring			A132E6226S	24
11	Valve Spring			A132E6227S	24
12	Oil Seal, valve stem, inlet			A132E6464S	12
13	Oil Seal, valve stem, exhaust			A132E6229S	12
14	Valve Collet			A131E6212S	48
15	Cap, valve stem			A132E6231S	24
16	Rocker Arm, valve actuating			A132E6449S	24
17	Adjuster Assembly, valve clearance			A132E6232S	24
18	Valve Guide, inlet, std size			A132E6402S	12

EXIGE

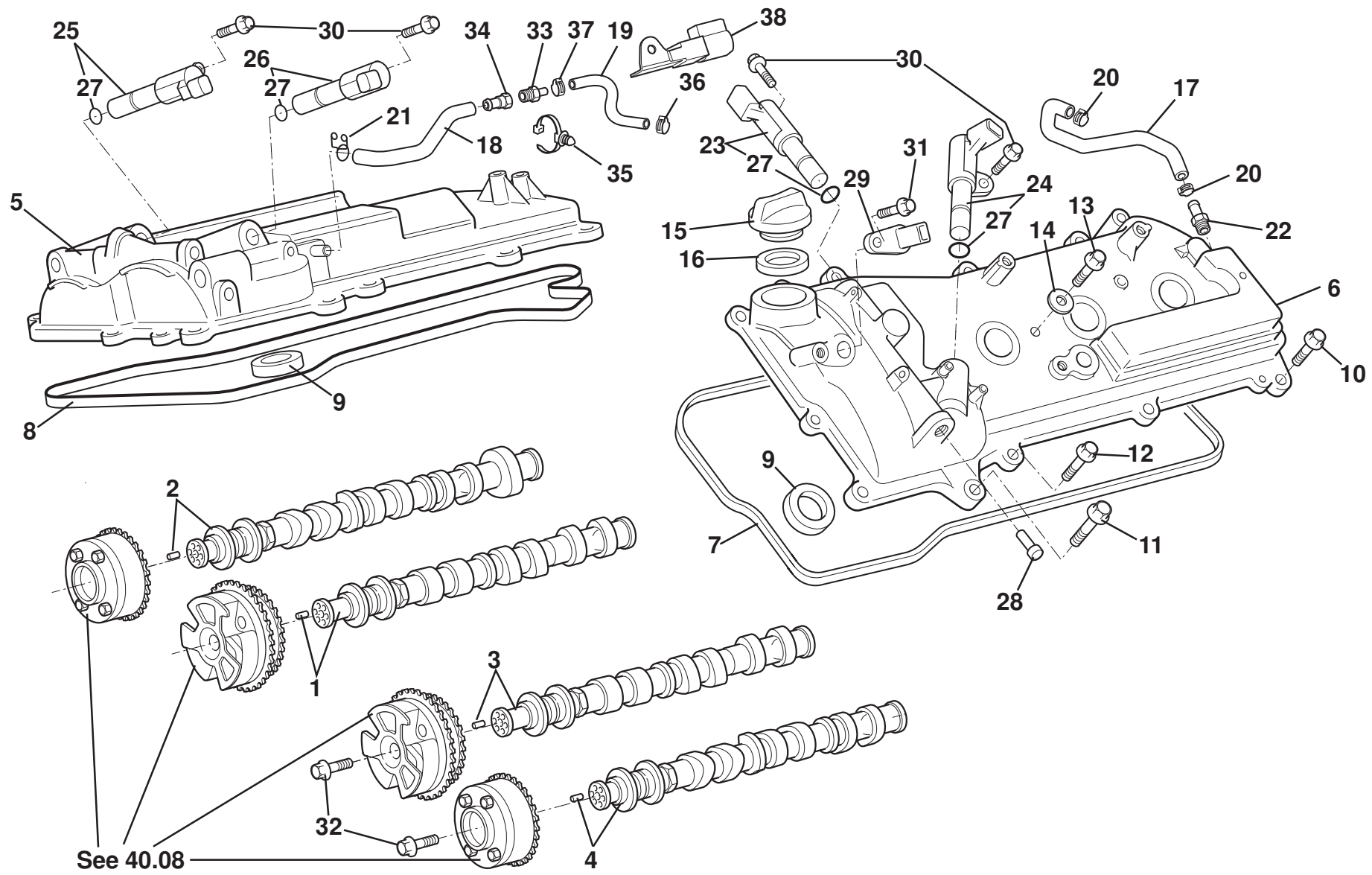
Function Code 40.05 Cylinder Head , Valves, Springs

<u>Dep</u>	<u>Part Description</u>	<u>Remarks</u>	<u>Option</u>	<u>Part Number</u>	<u>Qty</u>
18a	Valve Guide, exhaust, + 0.05mm			A132E6405S	12
19	Valve Guide, exhaust, standard			A132E6404S	12
19a	Valve Guide, inlet, O/S 0.05			A132E6403S	12
20	Plug, straight screw plug, no.2, cyl.head front			A132E6105S	2
21	Gasket, straight screw plug no.2, cyl. head front			A132E6108S	2
22	Plug, straight screw plug, no.1, cyl. head upper			A132E6104S	4
23	Gasket, straight screw plug, no.1, cyl. head upper			A132E6107S	4
24	Bolt, hex. flg. hd., head to block			A132E6123S	16
25	Washer, head to block			A132E6122S	16
26	Bolt, hex. flg. hd., head to block, front LH bank			A132E6121S	2
27	Gasket, cylinder head, RH	Also see 40.02		A132E6119S	1
28	Gasket, cylinder head, LH	Also see 40.02		A132E6120S	1
30	Gasket, camshaft bearing cap oil hole			A132E6124S	4
31	'O' Ring special, camshaft housing			A132E6130S	2
32	Dowel Pin, no.1, camshaft housing			A120F6033S	3
33	Bolt, hex. flg. hd., no. 1, camshaft housing to head			A132E6113S	18
34	Bolt, hex. flg. hd., no. 2, camshaft housing to head			A132E6112S	7
35	Bolt, hex. flg. hd., camshaft bearing cap to housing			A132E6457S	16
36	Pin, ring w/head			A132E6118S	4
37	Dowel Pin, cylinder head			A132E6459S	4
38	Oil Feed Pipe			A132E0102F	1



Function Code 40.05 Cylinder Head , Valves, Springs

<u>Dep</u>	<u>Part Description</u>	<u>Remarks</u>	<u>Option</u>	<u>Part Number</u>	<u>Qty</u>
39	Oil Pipe No. 1, oil control valve, LH			A132E6241S	1
40	Banjo Bolt, oil pipe			A132E6242S	4
41	Gasket, union bolt, oil pipe, upper			A132E6243S	4
42	Gasket, union bolt, oil pipe, lower			A132E6244S	2
43	Stud, exhaust manifold to head	Also see 40.21		A132E6117S	8
44	Stud, water outlet to head			A132E6115S	4
45	Stud, inlet manifold to head	Also see 42.07		A132E6116S	12
46	'P' Clip, oil feed pipe			A132E0134F	1
47	Pillar, oil feed pipe			A132E0135F	1
48	Screw M6 x 30 hex flg, oil feed pipe			A124W5294F	1



EXIGE
40.07

Updated 1st October 2013

Service Parts List

EXIGE



Function Code 40.07 Camshafts, Tappets, Cam Cover

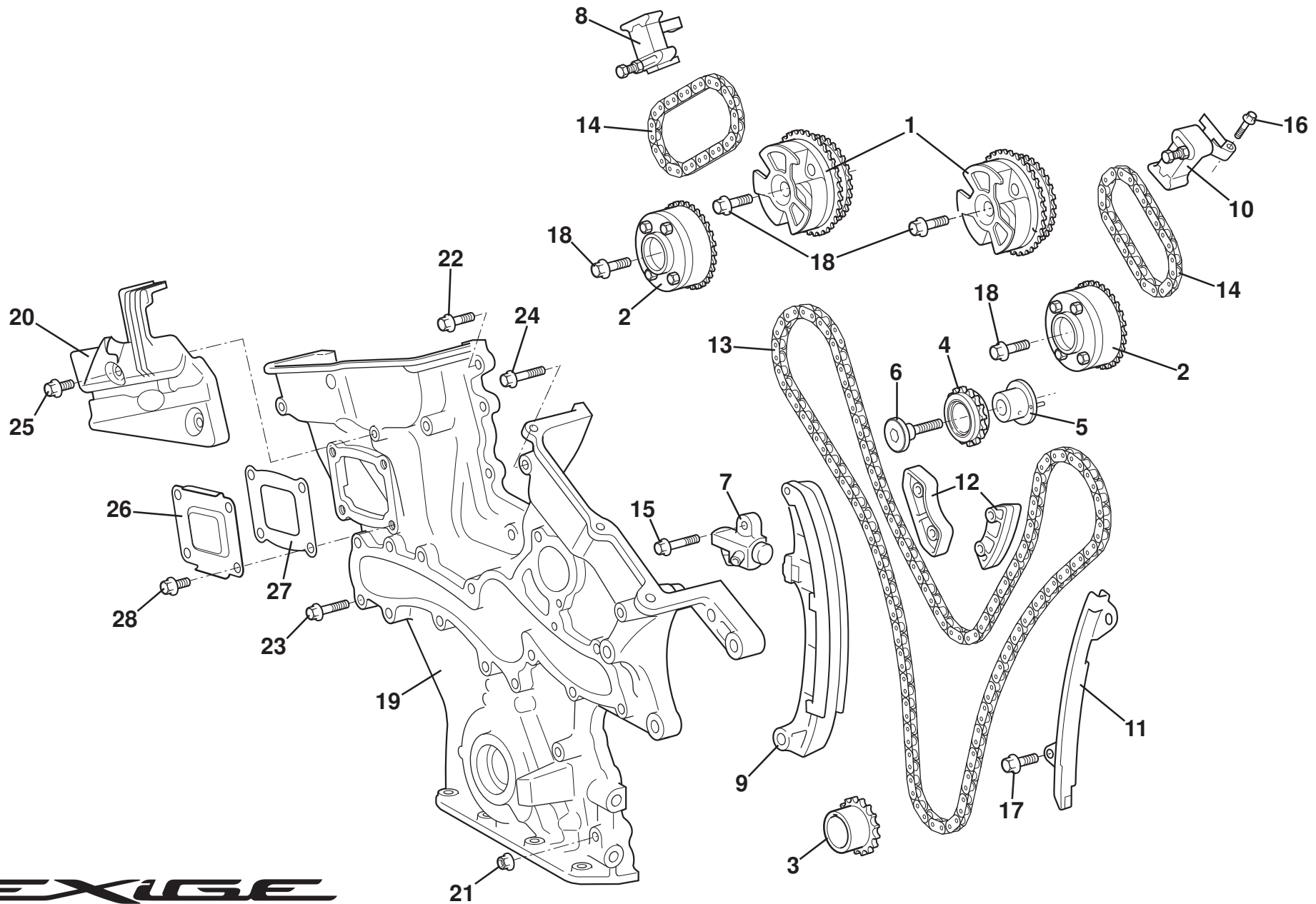
<u>Dep</u>	<u>Part Description</u>	<u>Remarks</u>	<u>Option</u>	<u>Part Number</u>	<u>Qty</u>
01	Camshaft, no. 1, inlet, RH	Includes dowel pin		A132E6200S	1
02	Camshaft, no. 2, exhaust, RH	Includes dowel pin		A132E6201S	1
03	Camshaft, no. 3, inlet, LH	Includes dowel pin		A132E6203S	1
04	Camshaft, no. 4, exhaust, LH	Includes dowel pin		A132E6204S	1
05	Camshaft cover, LH	With spark plug tube gaskets, also replace valve with item 22		A132E6133S	1
06	Camshaft cover, RH	With spark plug tube gaskets		A132E6125S	1
07	Gasket, cam cover, LH	Also see 40.02		A132E6134S	1
08	Gasket, cam cover, RH	Also see 40.02		A132E6126S	1
09	Gasket, spark plug tube	Also see 40.02		A132E6431S	6
10	Bolt, hex. flg. hd., no. 1, camshaft cover			A132E6127S	17
11	Bolt, hex. flg. hd.no. 2, camshaft cover			A132E6128S	3
12	Bolt, hex. flg. hd.no. 3, camshaft cover			A132E6132S	2
13	Bolt, hex. flg. hd.no. 4, camshaft cover, centre			A132E6131S	2
14	Washer, sealing, bolt no. 4, camshaft cover, centre			A132E6129S	2
15	Oil Filler Cap, with gasket			A132E6476S	1
16	Gasket, oil filler cap	P/O item 15		A132E6463S	1
17	Hose, ventilation No. 1, LH bank to intake hose			A138E0040F	1
18	Hose, ventilation No. 2, RH bank to inlet tank			A138E0029K	1

EXIGE

Function Code 40.07 Camshafts, Tappets, Cam Cover

<u>Dep</u>	<u>Part Description</u>	<u>Remarks</u>	<u>Option</u>	<u>Part Number</u>	<u>Qty</u>
19	Ventilation hose			A138E0031K	1
20	Hose Clip, ventilation hose to valve			A138W6021F	2
21	Hose Clip, ventilation hose No. 2, RH bank	Wire type		A132E6374S	1
22	Spigot, LH bank			A138E0028F	1
23	Valve Assy., cam timing control, LH bank 2, intake	Includes 'O' ring		A132E6235S	1
24	Valve Assy., cam timing control, LH bank 2, exhaust	Includes 'O' ring		A132E6239S	1
25	Valve Assy., cam timing control, RH bank 1, exhaust	Includes 'O' ring		A132E6235S	1
26	Valve Assy., cam timing control, RH bank 1, intake	Includes 'O' ring		A132E6236S	1
27	'O' Ring, Valve Assy., cam timing control			A132E6419S	4
28	Filter, oil control valve			A132E6237S	2
29	Sensor, camshaft position	Also see 17.06		A132E6283S	4
30	Bolt, hex. flg. hd., valves to cam cover			A132E6480S	4
31	Bolt, hex. flg. hd., sensors to cam cover			A132E6478S	4
32	Bolt/Washer, hex. hd., camshaft gear	Also see 40.08		A132E6211S	4
33	PCV valve			A132E6181S	1
34	Adaptor PCV valve			A138E0027F	1
35	Tie Wrap Clip			A116K6020F	1
36	Hose Clip, ventilation hose to super charger			A132E6006F	1
37	Hose Clip, ventilation hose to PCV valve			A116W6738F	1
38	Condenser			A132E6376S	2





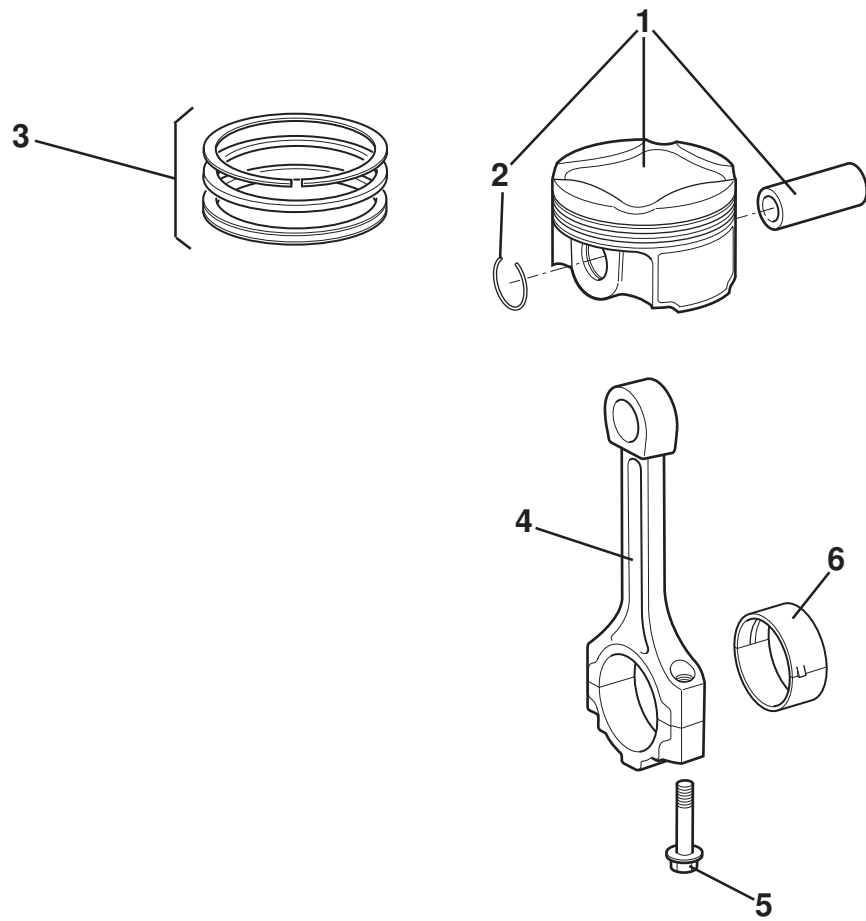
EXIGE
40.08

Function Code 40.08 Camshaft Drive Chain & Sprockets

<u>Dep</u>	<u>Part Description</u>	<u>Remarks</u>	<u>Option</u>	<u>Part Number</u>	<u>Qty</u>
01	Gear Assembly, camshaft timing inlet			A132E6205S	2
02	Gear Assembly, camshaft timing exhaust			A132E6206S	2
03	Sprocket, crankshaft			A132E6207S	1
04	Idler Sprocket Assembly			A132E6208S	1
05	Bush, idler sprocket	Includes dowel pin		A132E6209S	1
06	Bolt, skt. hd., idler sprocket retention			A132E6210S	1
07	Tensioner Assembly, chain no. 1			A132E6212S	1
08	Tensioner Assembly, chain no. 2, RH			A132E6213S	1
09	Slipper, chain tensioner			A132E6214S	1
10	Tensioner Assembly, chain no. 2, LH			A132E6215S	1
11	Damper, chain vibration, lower			A132E6216S	1
12	Damper, chain vibration no. 2, upper			A132E6217S	2
13	Chain, camshaft drive, no. 1, main			A132E6221S	1
14	Chain, camshaft drive, no. 2, inlet to exhaust camshaft			A132E6222S	2
15	Bolt, hex. flg. hd., tensioner assembly, chain no. 1			A132E6218S	2
16	Bolt, hex. flg. hd., tensioner assembly, chain no. 2			A132E6425S	2
17	Bolt, hex. flg. hd., damper, chain vibration ower)			A132E6220S	2
18	Bolt/Washer, camshaft gear			A132E6211S	4
19	Cover Assembly, timing chain			A132E6135S	1
20	Cover Assembly, timing chain No.2, upper			A132E6136S	1
21	Nut, flange, no., cover assy., to block			A132E6474S	1

Function Code 40.08 Camshaft Drive Chain & Sprockets

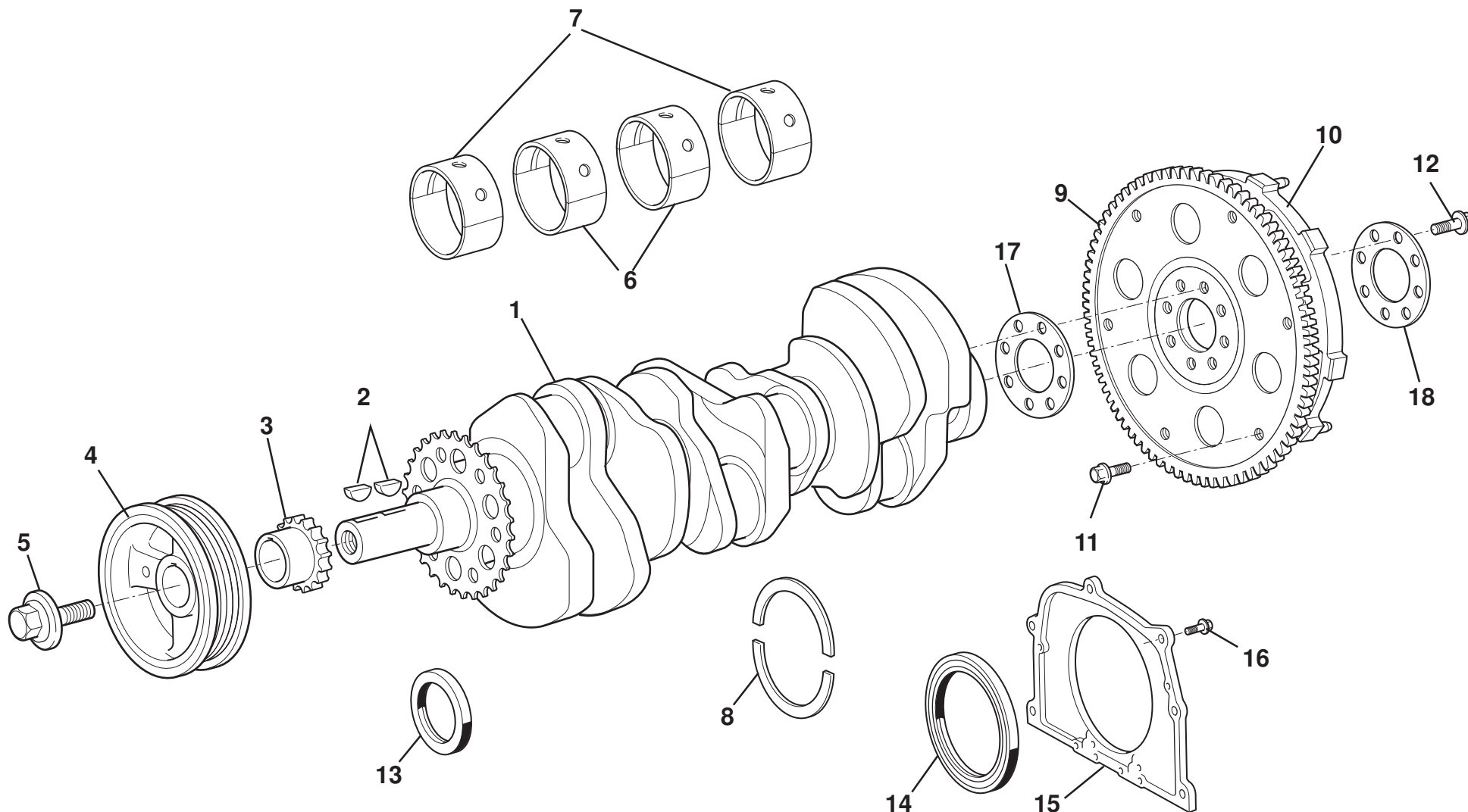
<u>Dep</u>	<u>Part Description</u>	<u>Remarks</u>	<u>Option</u>	<u>Part Number</u>	<u>Qty</u>
22	Bolt, hex. flg. hd., cover assy., to block			A132E6140S	10
23	Bolt, hex. flg. hd., cover assy., to block			A132E6141S	12
24	Bolt, hex. flg. hd., cover assy., to block			A132E6470S	1
25	Bolt, hex. flg. hd., cover assy. no. 2, upper to main cover			A132E6467S	2
26	Plate, timing chain cover			A132E6432S	1
27	Gasket, plate to cover			A132E6433S	1
28	Bolt, hex. flg. hd., plate to main cover			A132E6416S	4



EXIGE
40.09

Function Code 40.09 Pistons, Con-rods, Liners

<u>Dep</u>	<u>Part Description</u>	<u>Remarks</u>	<u>Option</u>	<u>Part Number</u>	<u>Qty</u>
01	Piston Assembly	Includes gudgeon pin, circlips		A132E6400S	6
02	Circlip, gudgeon pin retaining			A132E6192S	12
03	Piston Ring Set			A132E6193S	6
04	Connecting Rod			A132E6194S	6
05	Bolt, hex. flg. hd., cap to rod			A132E6195S	12
06	Con-rod Bearing Set, (size 1)			A132E6440S	6
06a	Con-rod Bearing Set, (size 2)			A132E6491S	6
06b	Con-rod Bearing Set, (size 3)			A132E6492S	6
06c	Con-rod Bearing Set, (size 4)			A132E6493S	6



EXIGE
40.11

Updated 31st May 2013

Service Parts List

EXIGE



Function Code 40.11 Crankshaft, Bearings, Flywheel

<u>Dep</u>	<u>Part Description</u>	<u>Remarks</u>	<u>Option</u>	<u>Part Number</u>	<u>Qty</u>
01	Crankshaft	Includes, Woodruff keys, item 2		A132E6196S	1
02	Woodruff Key, crankshaft to pulley & sprocket			A132E6197S	2
03	Sprocket, timing chain drive			A132E6207S	1
04	Pulley, auxiliary belt drive			A132E6198S	1
05	Bolt, with washer, pulley to crankshaft			A132E6199S	1
06	Bearing Set, crankshaft No. 2 & No. 3, (size 1)			A132E6426S	2
06a	Bearing Set, crankshaft No. 2 & No. 3, (size 2)			A132E6483S	2
06b	Bearing Set, crankshaft No. 2 & No. 3, (size 3)			A132E6484S	2
06c	Bearing Set, crankshaft No. 2 & No. 3, (size 4)			A132E6485S	2
06d	Bearing Set, crankshaft No. 2 & No. 3, (size 5)			A132E6486S	2
07	Bearing Set, crankshaft No. 1 & No. 4, (size 1)			A132E6435S	2
07a	Bearing Set, crankshaft No. 1 & No. 4, (size 2)			A132E6487S	2
07b	Bearing Set, crankshaft No. 1 & No. 4, (size 3)			A132E6488S	2
07c	Bearing Set, crankshaft No. 1 & No. 4, (size 4)			A132E6489S	2
07d	Bearing Set, crankshaft No. 1 & No. 4, (size 5)			A132E6490S	2
08	Thrust Washer Set, crankshaft			A132E6160S	1
09	Flex Plate, with starter gear ring			A132E6289S	1
10	Flywheel Assembly, manual low inertia			A132E0103F	1

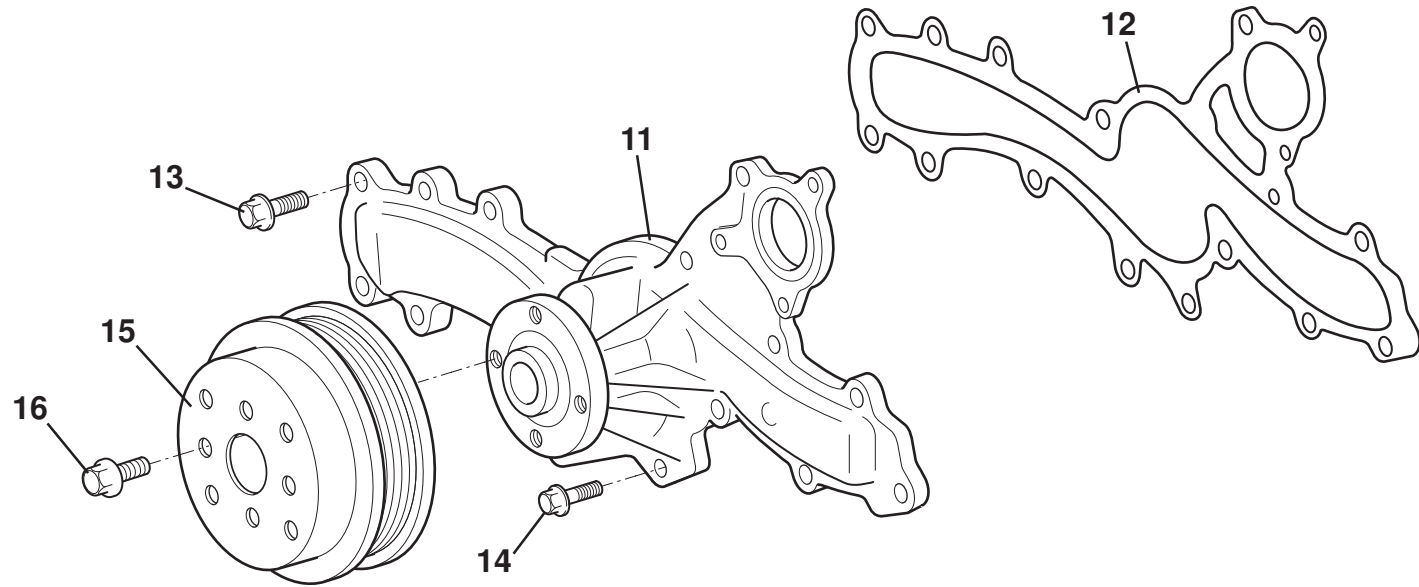
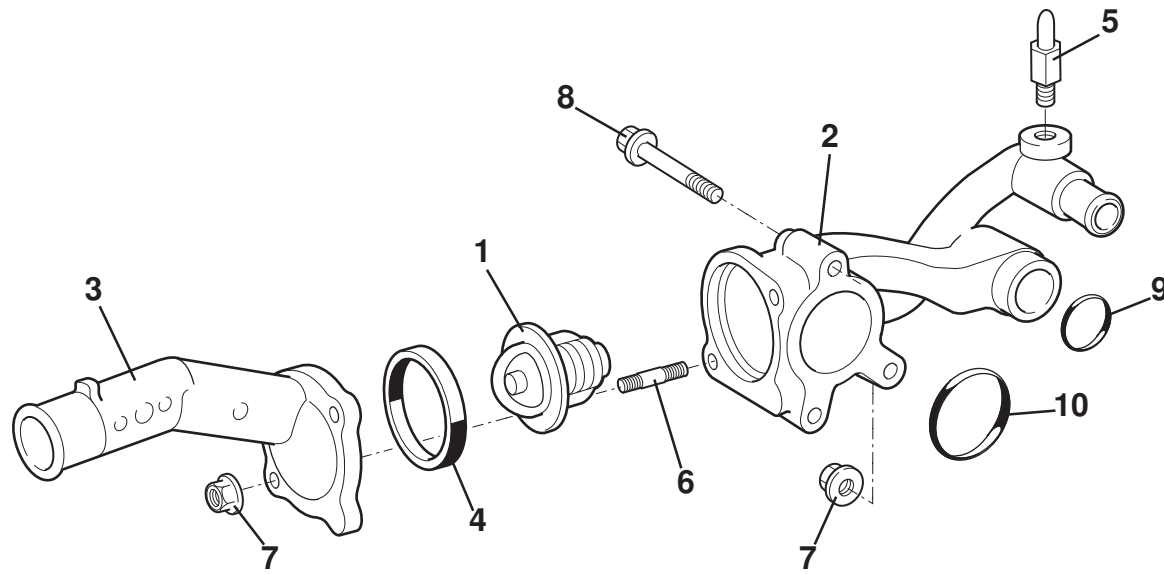
EXIGE

Function Code: 40.11, Page: 1

Updated 31st May 2013

Function Code 40.11 Crankshaft, Bearings, Flywheel

<u>Dep</u>	<u>Part Description</u>	<u>Remarks</u>	<u>Option</u>	<u>Part Number</u>	<u>Qty</u>
11	Bolt, hex. flg. hd., flex plate to flywheel			A132E6368S	6
12	Bolt, hex. flg. hd., flywheel & flex plate to crankshaft			A132E6356S	8
13	Oil Seal, crankshaft front	Also see 40.02a		A132E6138S	1
14	Oil Seal, crankshaft, rear	Also see 40.02a		A132E6162S	1
15	Retainer Plate, oil seal, crankshaft, rear			A132E6161S	1
16	Bolt, retainer to block			A132E6478S	6
17	Spacer, drive plate front			A132E6290S	1
18	Spacer, drive plate rear			A132E6291S	1

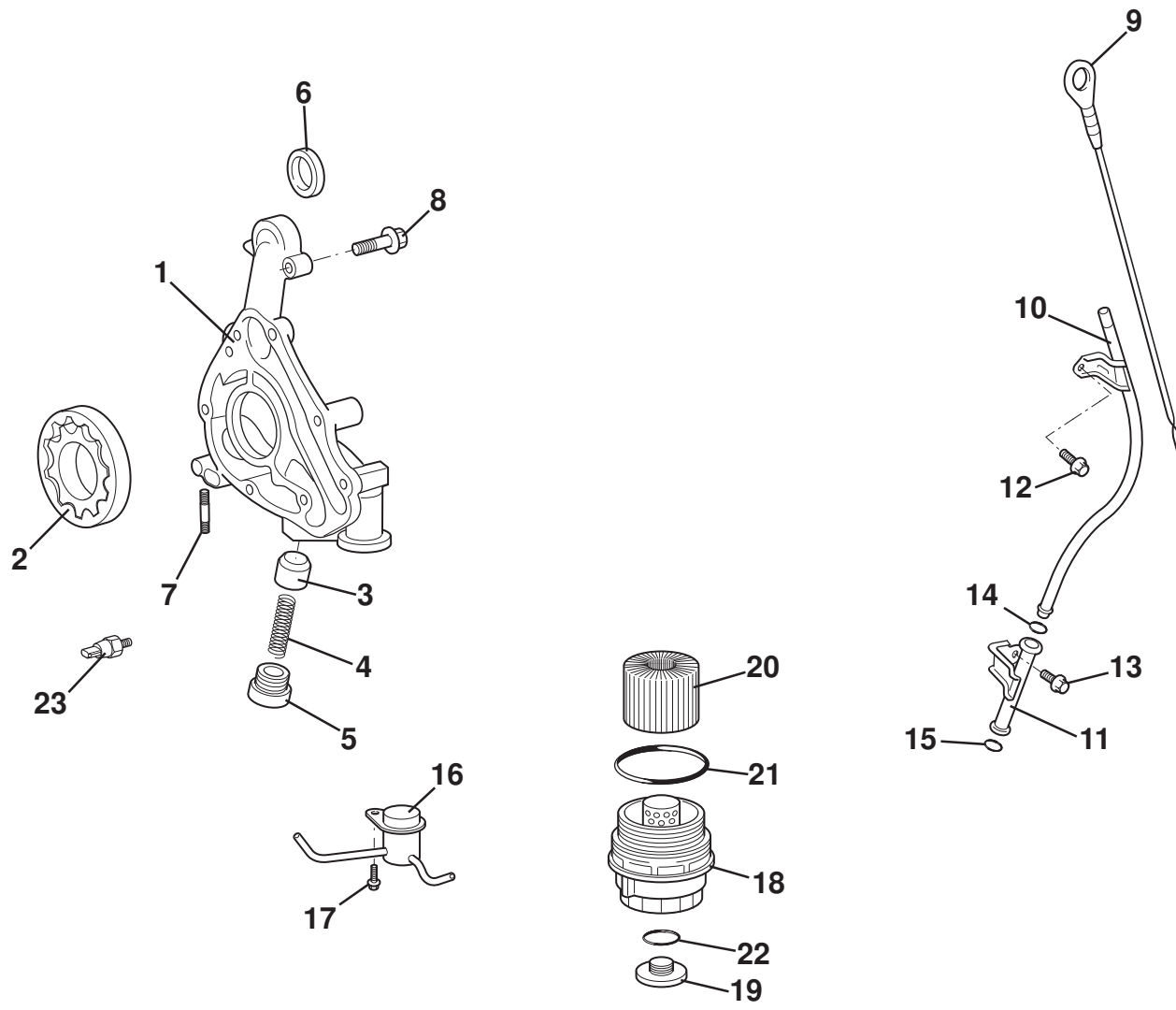


EXIGE

40.13

Function Code 40.13 Water Pump Assembly, Thermostat

<u>Dep</u>	<u>Part Description</u>	<u>Remarks</u>	<u>Option</u>	<u>Part Number</u>	<u>Qty</u>
01	Thermostat			A132E6255S	1
02	Thermostat Housing, water inlet			A120E6314S	1
03	Water Inlet			A132E6250S	1
04	Gasket Ring, thermostat			A132E6253S	1
05	Drain Cock Assembly			A132E6254S	1
06	Stud, water inlet to thermostat housing			A132E6256S	2
07	Nut, flange, water inlet & engine to thermostat housing			A132E6473S	3
08	Bolt, flg. hd., thermostat housing to engine			A132E6131S	2
09	'O' Ring, water inlet pipe to water inlet housing			A132E6273S	1
10	'O' Ring special, by-pass water inlet housing			A132E6252S	1
11	Water Pump			A132E6414S	1
12	Gasket, water pump			A132E6452S	1
13	Bolt, flange hd., No. 1, water pump body			A132E6415S	9
14	Bolt, flange hd., No. 2, water pump body			A132E6417S	6
15	Pulley, water pump			A132E6248S	1
16	Bolt, hex. flg. hd., pulley to pump			A132E6249S	4



EXIGE
40.15

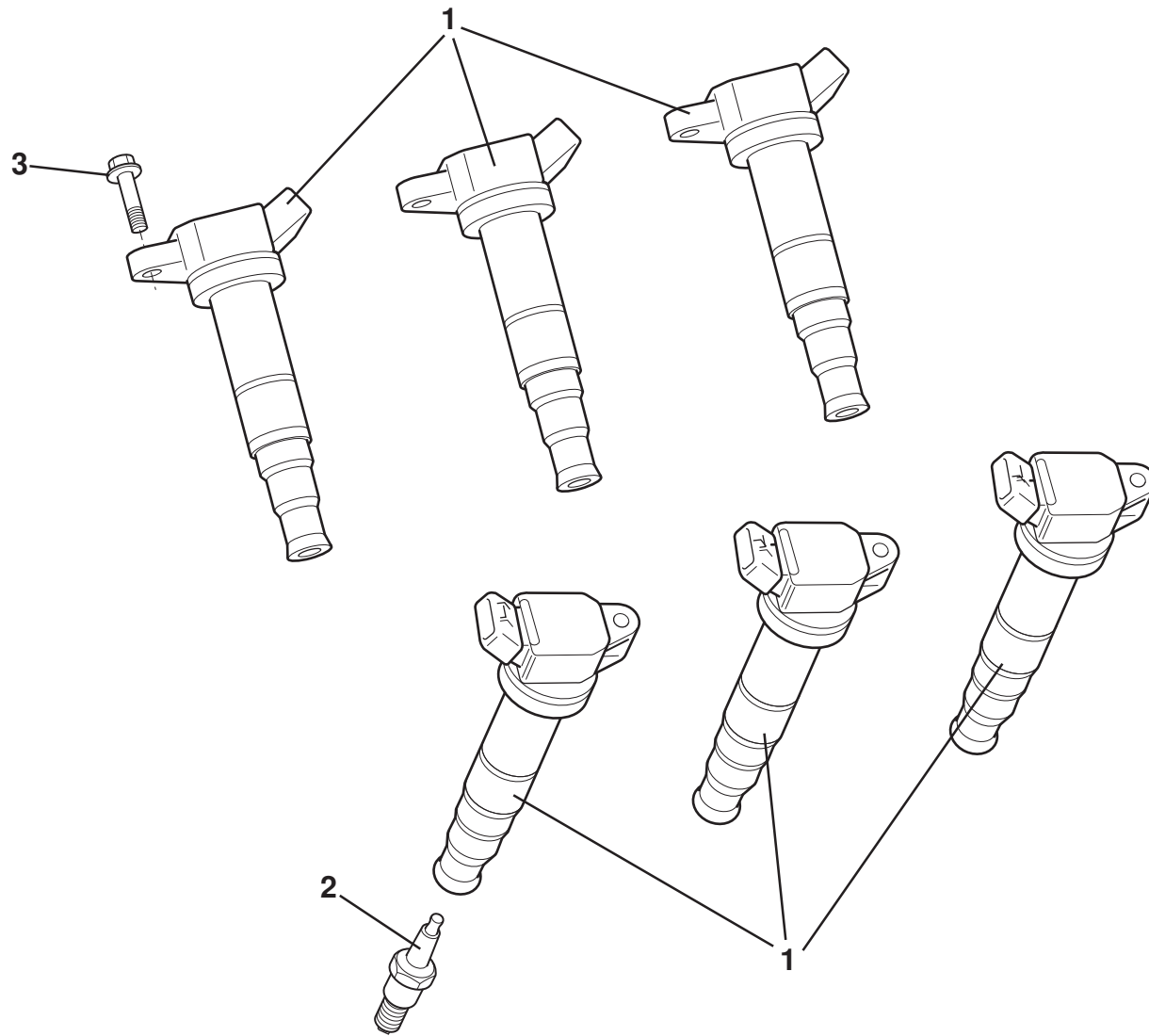
Function Code 40.15 Lubrication System

<u>Dep</u>	<u>Part Description</u>	<u>Remarks</u>	<u>Option</u>	<u>Part Number</u>	<u>Qty</u>
01	Oil Pump Housing Assembly	Incl. pressure relief valve, & studs		A132E6411S	1
02	Oil Pump			A132E6410S	1
03	Cap, pressure relief valve			A132E6412S	1
04	Spring, pressure relief valve			A120E6433S	1
05	Plug, pressure relief valve			A132E6413S	1
06	Gasket, oil pump housing			A132E6137S	1
07	Stud, oil pump housing			A132E6115S	2
08	Bolt, housing to cover			A132E6417S	3
09	Dipstick			A132E6310S	1
10	Dipstick Guide Tube	Includes 'O' Ring		A132E6301S	1
11	Dipstick Guide Tube, lower			A132E6164S	1
12	Bolt, guide tube retention			A132E6249S	1
13	Bolt, lower guide tube retention			A132E6472S	1
14	'O' ring, guide tube to lower guide tube			A120E6281S	1
15	'O' Ring, lower guide tube to block			A132E6165S	1
16	Nozzle, oil feed			A132E6246S	1
17	Bolt, nozzle to block			A132E6247S	1
18	Oil Filter Housing			A132E6450S	1
19	Plug, oil filter housing			A132E6451S	1
20	Oil Filter Kit	Incl. 'O' rings		A132E6399S	1
21	'O' Ring, housing to sump	P/O filter kit		A132E6461S	1



Function Code 40.15 Lubrication System

<u>Dep</u>	<u>Part Description</u>	<u>Remarks</u>	<u>Option</u>	<u>Part Number</u>	<u>Qty</u>
22	'O' Ring, plug to housing	P/O filter kit		A132E6475S	1
23	Switch, oil pressure			A132E6297S	1

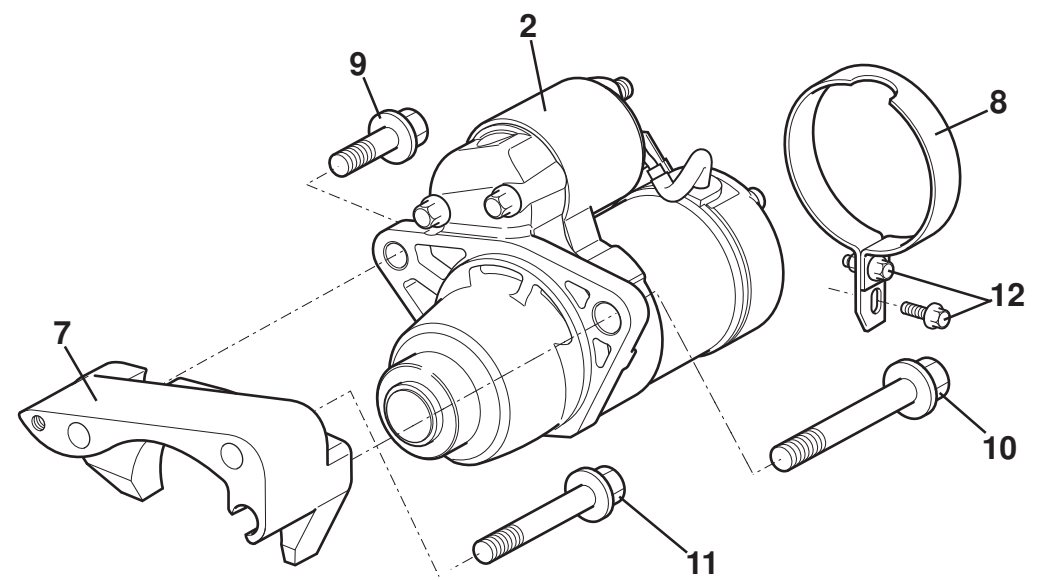
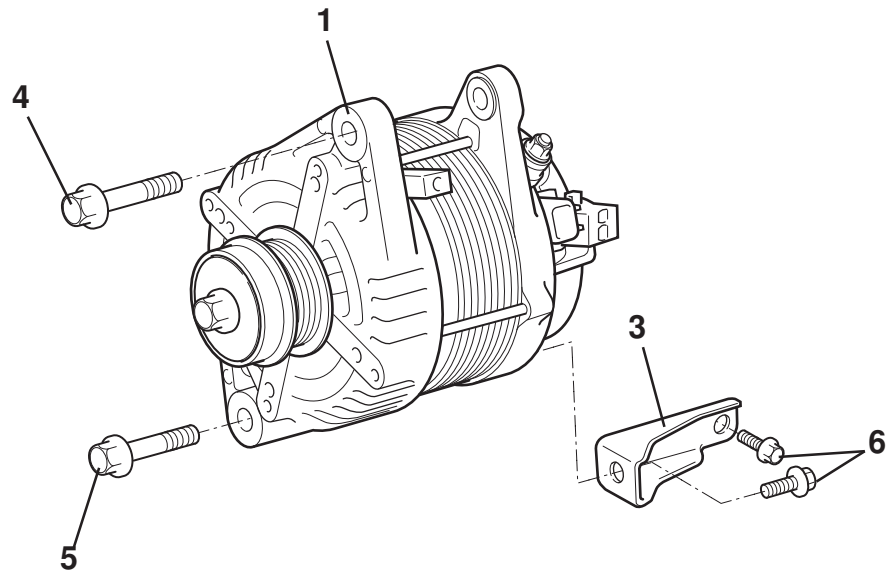


EXIGE

40.17

Function Code 40.17 Ignition System, Spark plugs & Plug Top Coils

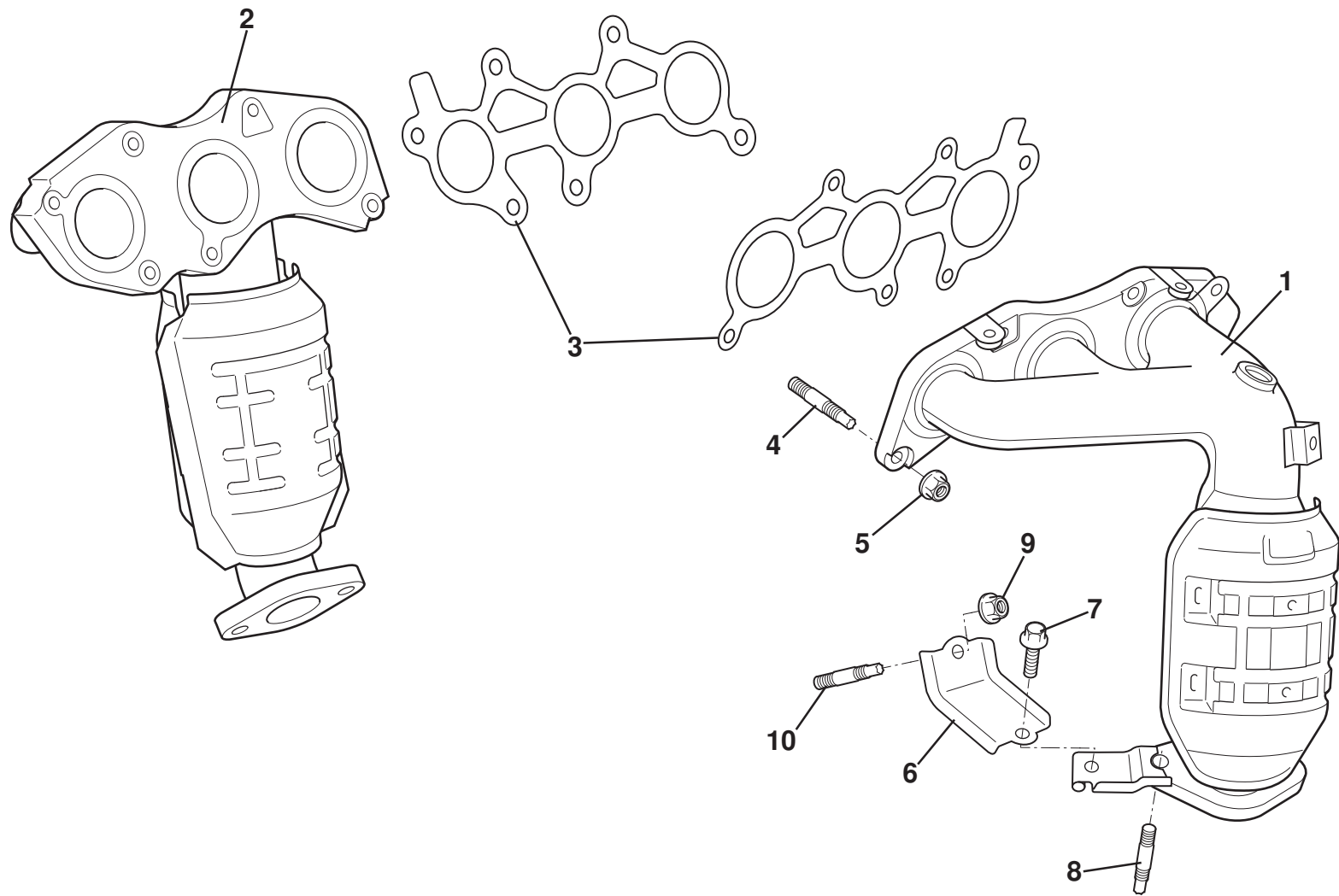
<u>Dep</u>	<u>Part Description</u>	<u>Remarks</u>	<u>Option</u>	<u>Part Number</u>	<u>Qty</u>
01	Ignition Coil			A132E6279S	6
02	Spark Plug			A132E6503F	6
03	Bolt, flg. hd., ignition coil retention			A132E6423S	6



EXIGE
40.19

Function Code 40.19 Alternator and Starter Motor

<u>Dep</u>	<u>Part Description</u>	<u>Remarks</u>	<u>Option</u>	<u>Part Number</u>	<u>Qty</u>
01	Alternator			A132E6333S	1
02	Starter motor			A132E0014K	1
03	Bracket, alternator			A132E6309S	1
04	Bolt, hex. flg. hd., alternator, upper fixing			A132E6266S	1
05	Bolt, hex. flg. hd., alternator, lower fixing			A132E6470S	1
06	Bolt, hex. flg. hd., alternator bracket			A132E6025H	2
07	Adaptor, starter motor			A132F0013F	1
08	Bracket/Strap, starter motor			B132F0022F	1
09	Bolt, M10 x 35, hex. flg. hd., starter to adaptor			A132F6421S	1
10	Bolt, M12 x 90, hex. flg. hd., starter to main adaptor plate			A132F6360S	1
11	Bolt, M10 x 65, hex. flg. hd., adaptor to main adaptor plate			A132F6022H	2
12	Screw, M8 x 16, hex. flg. hd., brkt. fixing + strap pinching			A117W2202F	2

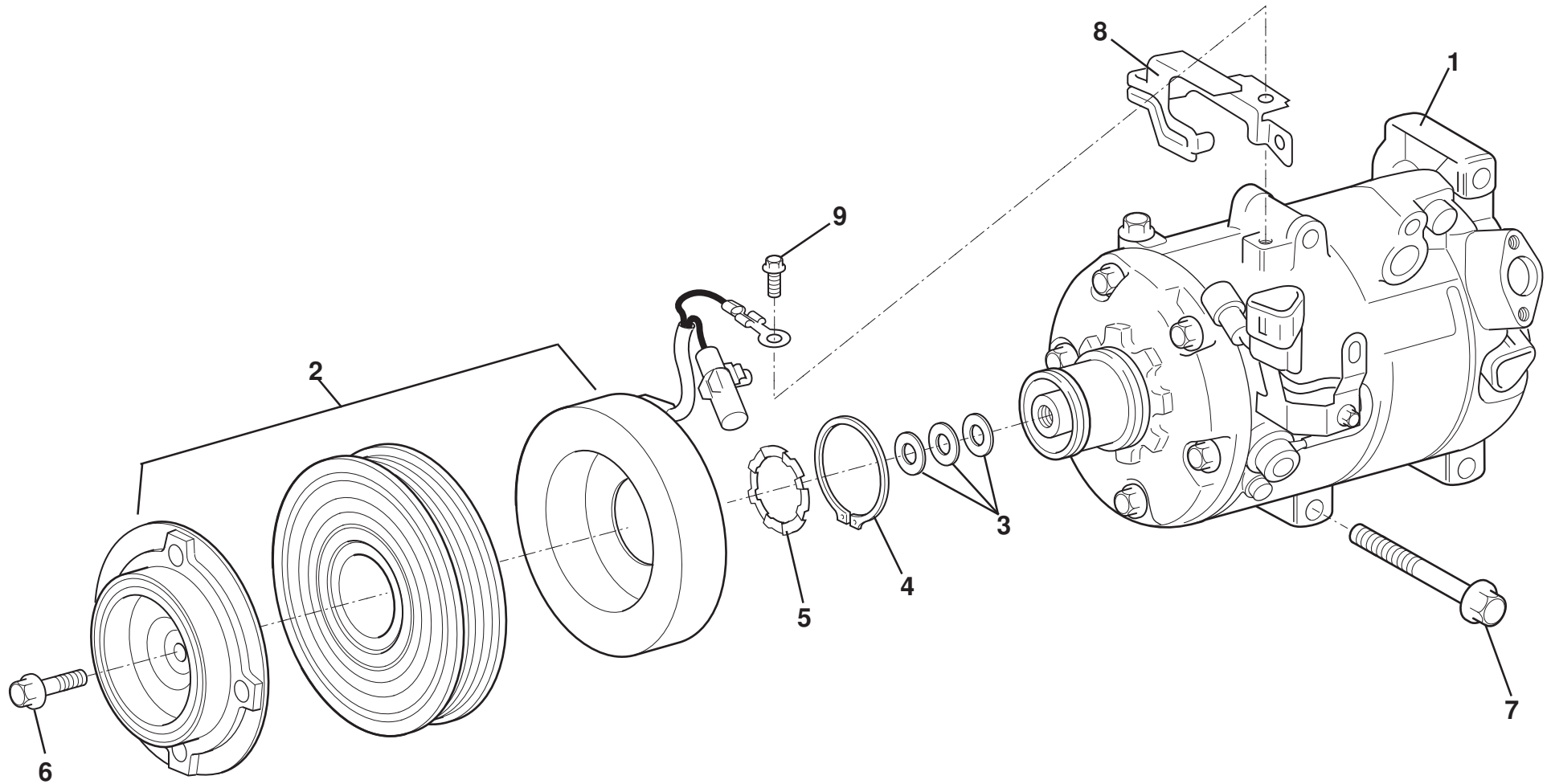


EXIGE

40.21

Function Code 40.21 Exhaust Manifold

<u>Dep</u>	<u>Part Description</u>	<u>Remarks</u>	<u>Option</u>	<u>Part Number</u>	<u>Qty</u>
01	Exhaust Manifold Assy, LH			A132E6315S	1
02	Exhaust Manifold Assy, RH	Includes primary heat shield		A132E6316S	1
03	Gasket, exhaust manifold assy to head			A132E6318S	2
04	Stud, exhaust manifold to head			A132E6117S	12
05	Nut, flange exhaust manifold to head			A132E6394S	12
06	Stay, exhaust manifold no. 1			A132E6313S	1
07	Bolt, hex. flg. hd., stay to manifold LH			A132E6047H	1
08	Stud, LH manifold to downpipe	See see section 45.01		A132E6153S	2
09	Nut, flange, stay fixing			A132E6048H	1
10	Stud, stay fixing			A132E6153S	1



EXIGE
40.23

Service Parts List

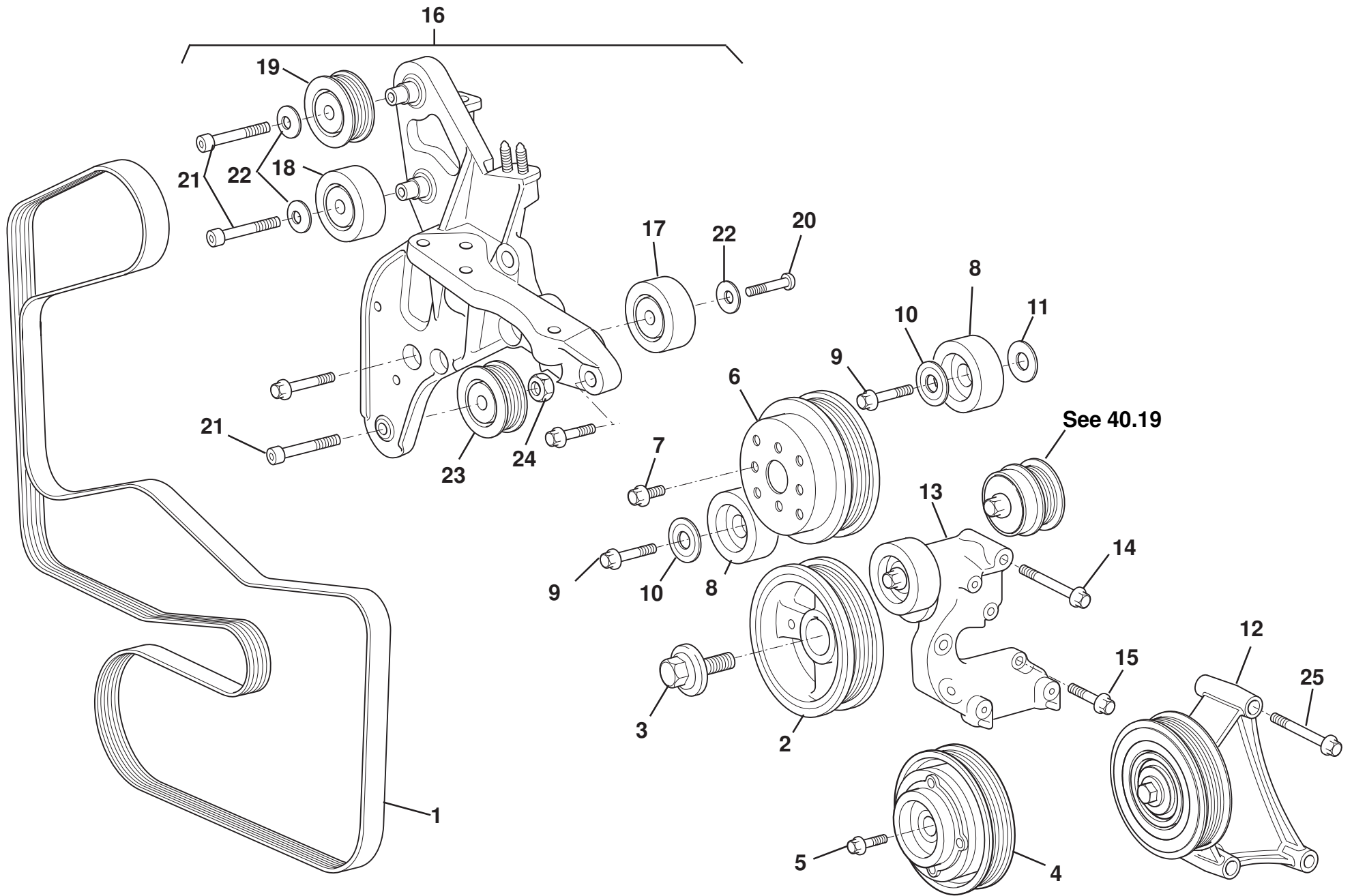
EXIGE



Function Code 40.23 AC Compressor

<u>Dep</u>	<u>Part Description</u>	<u>Remarks</u>	<u>Option</u>	<u>Part Number</u>	<u>Qty</u>
01	AC Compressor	Not including clutch/pulley assembly		A132E6349S	1
02	Clutch Assembly, AC compressor			A132E6351S	1
03	Shim Kit, magnetic clutch			A120E6493S	1
04	Circlip, clutch			A132E6354S	1
05	Shaped Circlip, clutch			A132E6353S	1
06	Bolt, hex. flg. hd., AC compressor clutch			A120E6484S	1
07	Bolt, hex. flg. hd., compressor mounting			A132E6367S	4
08	Bracket, harness retention			A132E6352S	1
09	Bolt, hex. flg. hd., bracket to compressor			A132E6467S	1

EXIGE



EXIGE

41.03

Updated 4th April 2013

Service Parts List

EXIGE



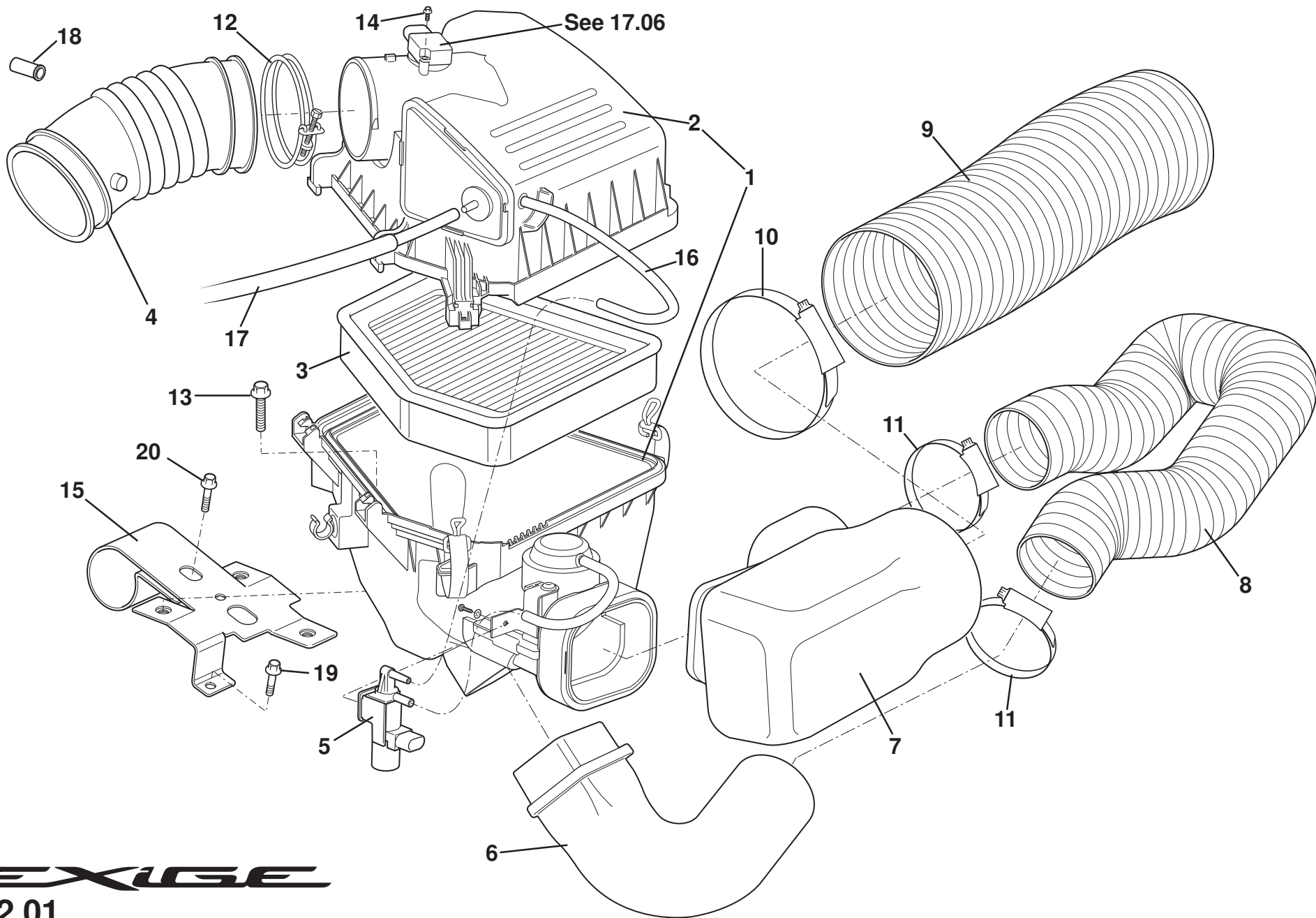
Function Code 41.03 Auxiliary Drive Belts & Pulleys

<u>Dep</u>	<u>Part Description</u>	<u>Remarks</u>	<u>Option</u>	<u>Part Number</u>	<u>Qty</u>
01	Drive Belt			B138E0001F	1
02	Pulley, crankshaft	Also see 40.11		A132E6198S	1
03	Bolt, hex. flg. hd., crankshaft pulley	Also see 40.11		A132E6199S	1
04	Pulley/Clutch Assy, AC pump	Also see 40.23		A132E6351S	1
05	Bolt, hex. flg. hd., Pulley to pump	Also see 40.23		A120E6484S	1
06	Pulley, water pump	Also see 40.13		A132E6248S	1
07	Bolt, hex. flg. hd., pulley to pump	Also see 40.13		A132E6249S	4
08	Pulley, idler			A132E6261S	2
09	Bolt, hex. flg. hd., idler pulley retention			A132E6421S	2
10	Plate, idler pulley cover, front			A132E6264S	2
11	Plate, idler pulley cover, rear			A132E6262S	2
12	Idler Assembly, AC pump replacement		Non A/C	A138E0005J	1
13	Drive Belt Tensioner Assembly			A132E6263S	1
14	Bolt, hex. flg. hd., tensioner upper fixing			A132E6266S	1
15	Bolt, hex. flg. hd., tensioner lower fixings			A132E6421S	4
16	Bracket Assembly, engine idler mounting			A138E6000F	1
17	Pulley, idler 50mm			A132E6513S	1
18	Pulley, idler 60mm			A132E6514S	1

EXIGE

Function Code 41.03 Auxiliary Drive Belts & Pulleys

<u>Dep</u>	<u>Part Description</u>	<u>Remarks</u>	<u>Option</u>	<u>Part Number</u>	<u>Qty</u>
19	Pulley, idler internal 52.5mm			A132E6515S	1
20	Screw M10 x 50, button hd cap			A132W5042F	1
21	Screw M10 x 50, skt hd cap			A132W5043F	3
22	Washer, pulley transfer			A132W4006F	3
23	Pulley, idler internal 52 mm, nut mount			A138E6010S	1
24	Nut idler mounting			A138E6011S	1
25	Bolt, hex. flg. hd., idler assembly			A132W2048F	3



EXIGE

42.01

Updated 1st August 2013

Service Parts List

EXIGE



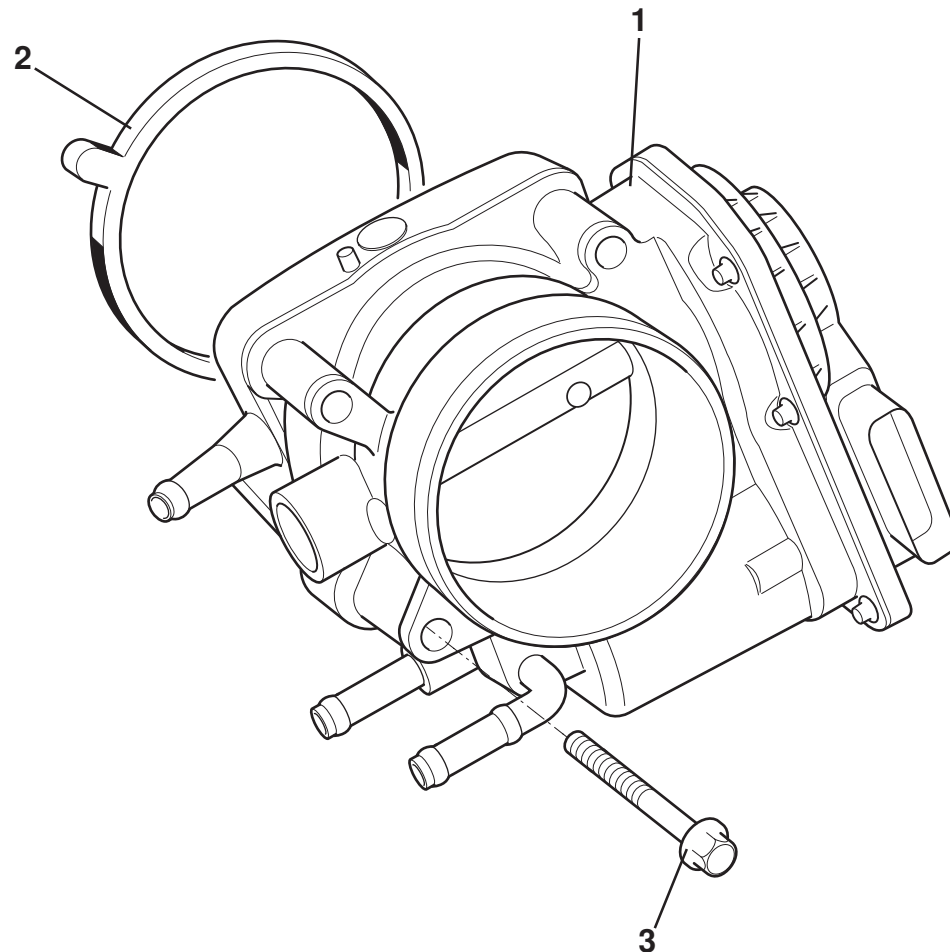
Function Code 42.01 Airboxes, Trunking & Air Filters

<u>Dep</u>	<u>Part Description</u>	<u>Remarks</u>	<u>Option</u>	<u>Part Number</u>	<u>Qty</u>
01	Airbox Case Assembly			A132E6481S	1
02	Airbox Case Assembly, upper	P/O item 1		A132E6323S	1
03	Air Filter			A132E6324S	1
04	Hose Intake, supercharger			A132E6507F	1
05	Valve, vacuum switching, intake by-pass			A132E6322S	1
06	Adaptor, airbox bypass			B132E0028F	1
07	Adaptor, main airbox			C132E0027F	1
08	Hose, intake snorkel bypass			A132E0018F	1
09	Hose Main Intake Snorkel			B138E0004F	1
10	Hose Clip, 110-130mm, main hose to retention			A132W6037F	2
11	Hose Clip, bypass hose			A075L6044F	2
12	Hose Clip, plenum to airbox & throttle body			A132E6022H	2
13	Screw, M8 x 30, flg. hd., airbox to bracket			A116W5245F	3
14	Screw, flg. hd., sensor to airbox upper			A120E6447S	2
15	Bracket, airbox mounting			C132E0016F	1
16	Hose, vacuum, 245mm, valve to airbox			A121E0008F	1
17	Hose, vacuum, airbox to inlet plenum			A132E6320S	1
18	Pipe Stub			A132E0082F	1

EXIGE

Function Code 42.01 Airboxes, Trunking & Air Filters

<u>Dep</u>	<u>Part Description</u>	<u>Remarks</u>	<u>Option</u>	<u>Part Number</u>	<u>Qty</u>
19	Screw, M6 x 14, hex. flg hd. bracket mounting			A116W5233F	2
20	Screw, M6 x 20, hex. flg hd. pump clamping			A132W5004F	1

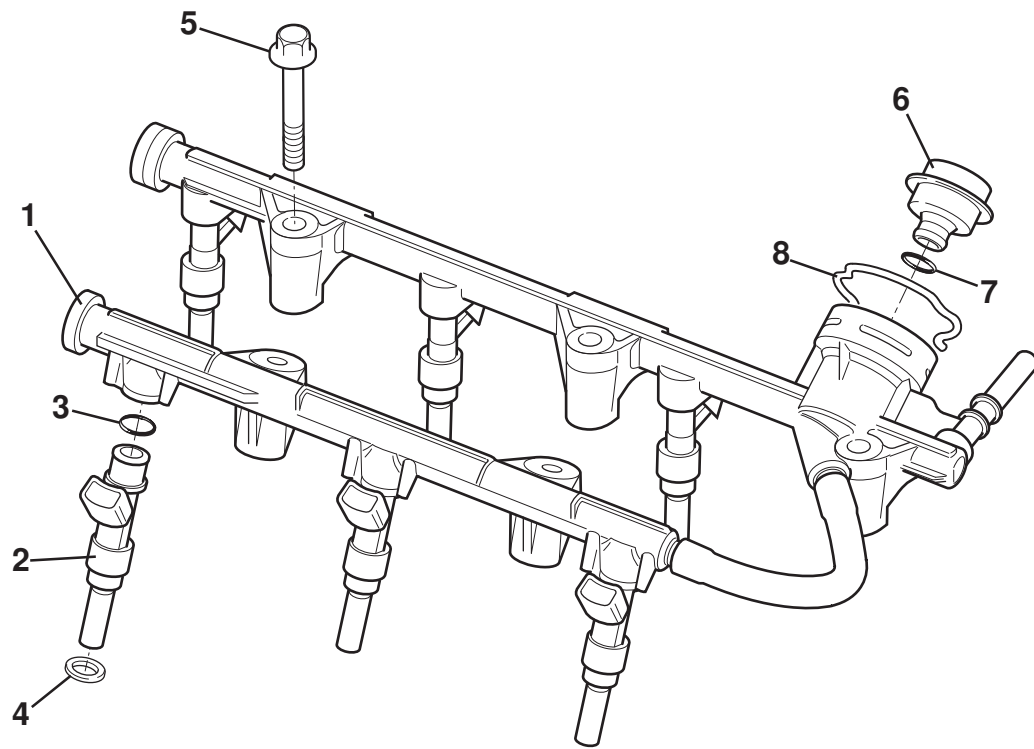


EXIGE

42.04

Function Code 42.04 Throttle Body, Mechanism & IAC Valve

<u>Dep</u>	<u>Part Description</u>	<u>Remarks</u>	<u>Option</u>	<u>Part Number</u>	<u>Qty</u>
01	Throttle Body			A132E6327S	1
02	Gasket, throttle body to intake plenum			A132E6454S	1
03	Bolt, throttle body to intake plenum			A132E6379S	4

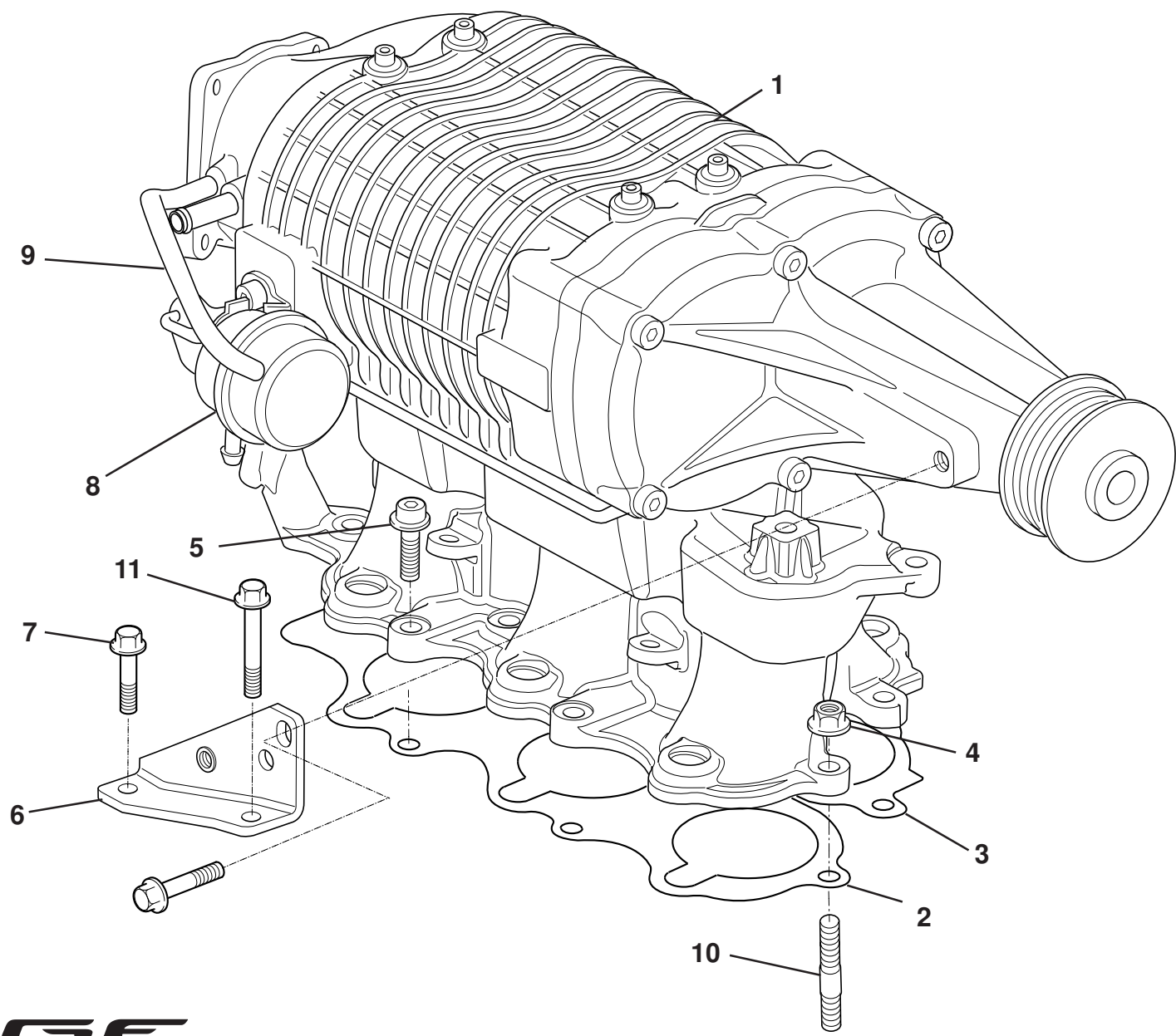


EXIGE

42.05

Function Code 42.05 Fuel Injection System

<u>Dep</u>	<u>Part Description</u>	<u>Remarks</u>	<u>Option</u>	<u>Part Number</u>	<u>Qty</u>
01	Fuel Rail Assembly	Includes 6,7,8		A132E6286S	1
02	Fuel Injector, high flow	Includes 'O' ring		A132E6498H	6
03	'O' Ring, injector to rail			A132E6460S	6
04	Insulator, injector			A132E6285S	6
05	Bolt, hex. flg. hd., rail to engine			A132E6287S	5
06	Fuel Pressure Valve	Includes 'O' ring		A132E6508S	1
07	'O' Ring, valve to rail			A132E6460S	1
08	Clip, valve retention to rail			A132E6509S	1



EXIGE
42.09

Updated 21st November 2012

Service Parts List

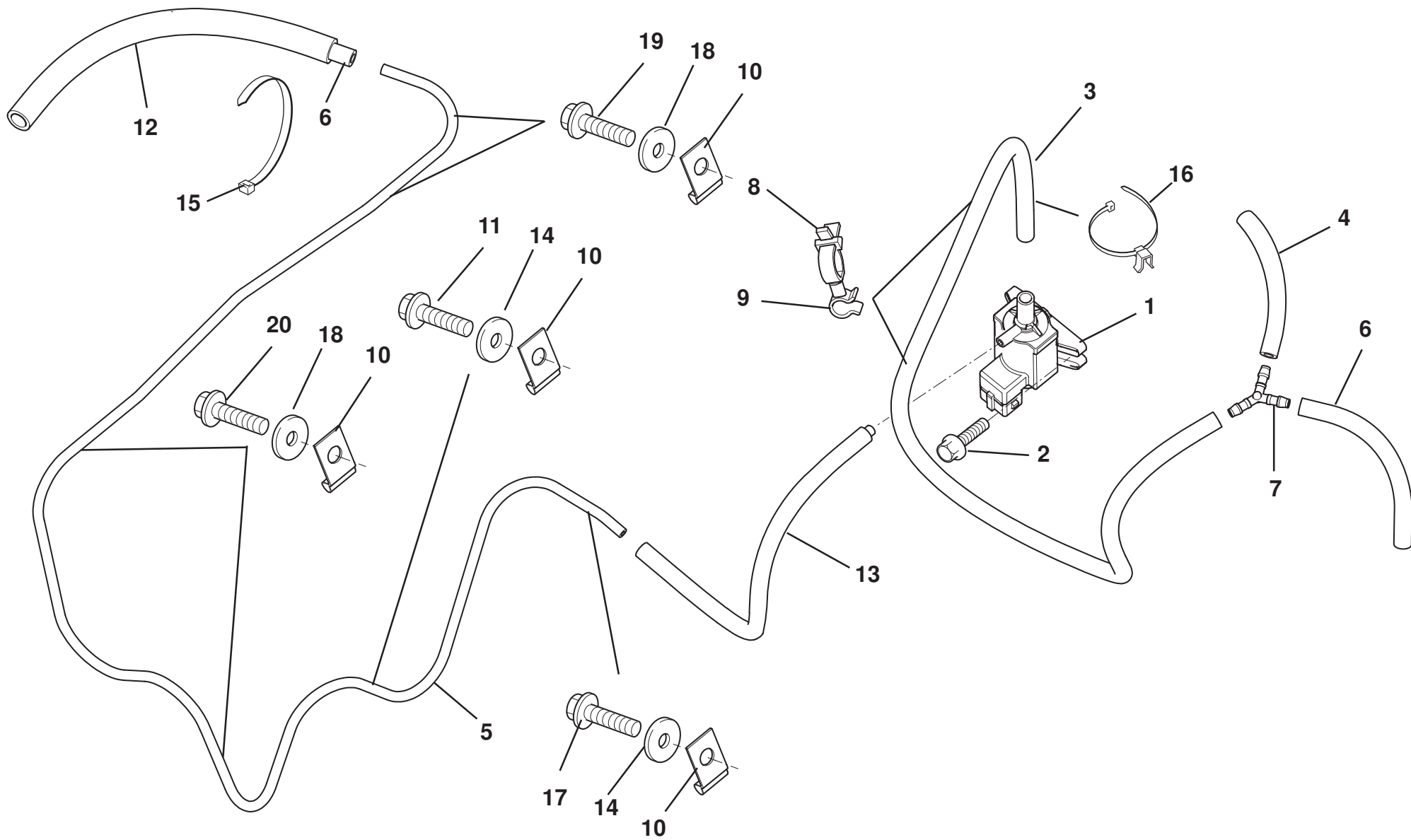
EXIGE



Function Code 42.09 Supercharger

<u>Dep</u>	<u>Part Description</u>	<u>Remarks</u>	<u>Option</u>	<u>Part Number</u>	<u>Qty</u>
01	Supercharger Assembly			B138E6004F	1
02	Gasket, inlet manifold LH			A132E6276S	1
03	Gasket, inlet manifold RH			A132E6275S	1
04	Nut, flange, supercharger to head			A132E6474S	6
05	Bolt/Washer, socket cap hd, supercharger to head			A132E6363S	4
06	Bracket			A138E0021K	1
07	Bolt, hex flg hd			A132E6191S	2
08	Vacuum actuator, supercharger			A132E6516S	1
09	Hose, vacuum actuator, supercharger			A132E6517S	1
10	Stud M8 x 25			A132E6116S	6
11	Bolt, hex flg hd M8 x 75, bracket to timing case			A138W1000F	1

EXIGE



EXIGE

43.03

Updated 4th April 2013

Service Parts List

EXIGE



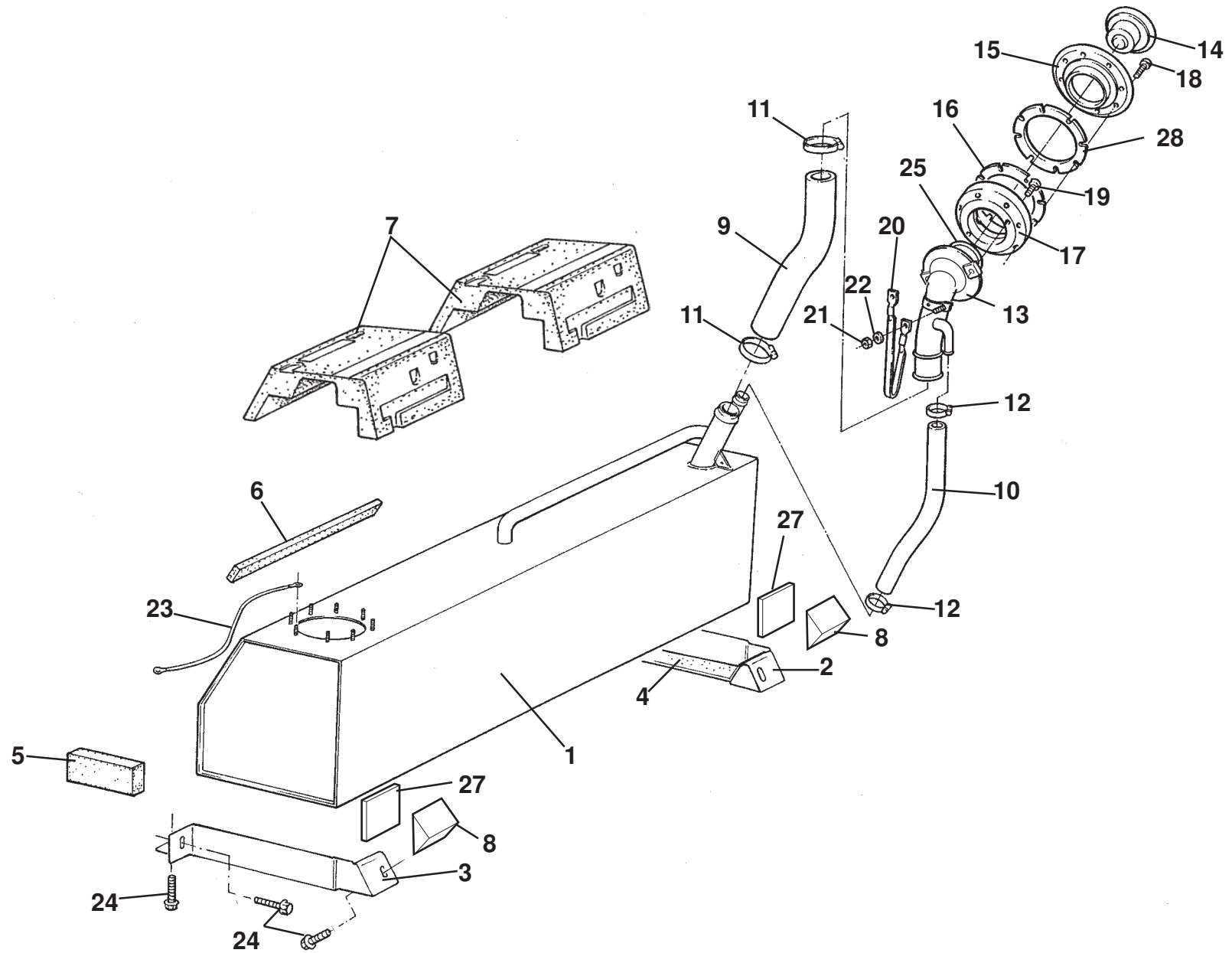
Function Code 43.03 Vacuum System, Hoses, Pipes & Fittings

<u>Dep</u>	<u>Part Description</u>	<u>Remarks</u>	<u>Option</u>	<u>Part Number</u>	<u>Qty</u>
01	Solenoid Valve, exhaust flap			A132S6014F	1
02	Screw M5 x 16 hex flg			A132W5016F	2
03	Hose Vacuum, airbox to soleniod			B138S0033F	1
04	Hose Vacuum, valve to pipe	Cut to length		A121E0008F	3
05	Pipe, vacuum exhaust valve			B138S0039F	1
06	Hose Vacuum, valve to pipe			B138S0047F	2
07	'Y' Piece			B120E6524F	1
08	Swivel Clip, tie wrap, hose airbox to valve			A082W6324F	2
09	Swivel Clip, hose airbox to valve			A132W6088F	2
10	'P' Clip, vacuum pipe			A132W6090F	6
11	Screw M5 x 12, hex flg			A132W5002F	1
12	Heat Wrap Protection, vacuum hose to valve			A120L0061F	1
13	Hose Vacuum, valve to pipe			A138S0060F	1
14	Washer 3/16 x 3/4			B075W4009Z	2
15	Tie Wrap			A124W6800F	1
16	Tie Wrap Edge Clip			A120W6895F	1
17	Screw M5 x 16, hex flg			A132W5016F	1
18	Washer 3/16 x 3/4			B082W4018F	4

EXIGE

Function Code 43.03 Vacuum System, Hoses, Pipes & Fittings

<u>Dep</u>	<u>Part Description</u>	<u>Remarks</u>	<u>Option</u>	<u>Part Number</u>	<u>Qty</u>
19	Screw M6 x 25, hex flg			A132W5014F	2
20	Screw M6 x 20, hex flg			A132W5004F	2



EXIGE

44.01

Updated 27th february 2013

Service Parts List

EXIGE



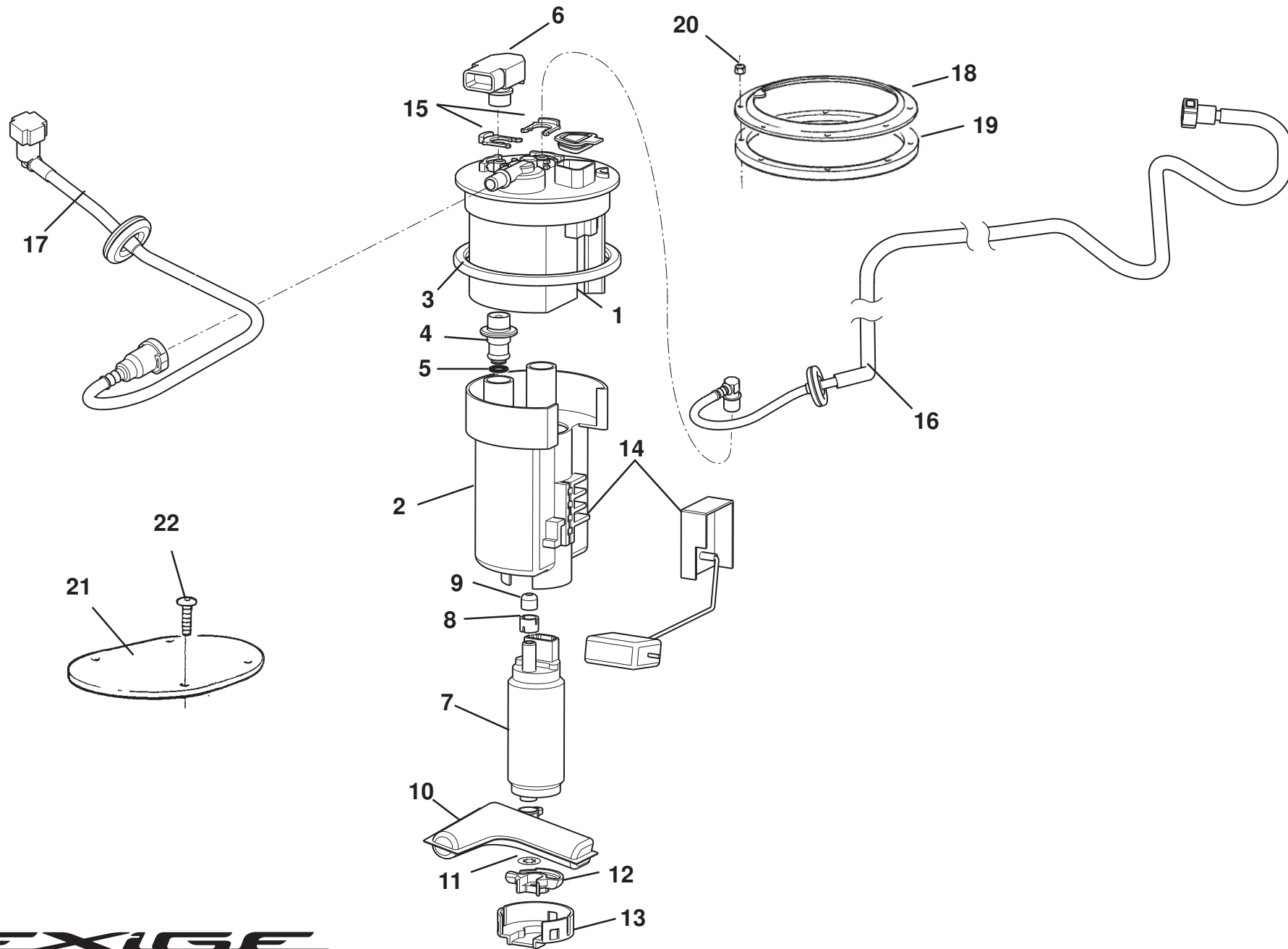
Function Code 44.01 Fuel Tanks, Filler

<u>Dep</u>	<u>Part Description</u>	<u>Remarks</u>	<u>Option</u>	<u>Part Number</u>	<u>Qty</u>
01	Fuel Tank			A120L0004H	1
02	Bracket, fuel tank support, RH			B120L0040F	1
03	Bracket, fuel tank support, LH			B120L0041F	1
04	Isolating Strip, tank brackets			A120L0047F	2
05	Foam Support, tank sides			B120L0028F	4
06	Restraint Foam			A120L0053F	4
07	Foam Block, fuel tank retention, upper			B120L0044F	2
08	Rear Restraint, tank mounting			A120L0045F	2
09	Hose, fuel filler			A117L0060F	1
10	Hose, fuel breather			C117L0062F	1
11	Hose Clip, filler hose			A120L6016F	2
12	Hose Clip, breather hose			A079K6018F	2
13	Fuel Filler Neck			D120L0048F	1
14	Fuel Cap, less lock barrel	Order vehicle lock set, or 14a		A117L0058F	1
14a	Lock Barrel & Keys, for the fuel cap	Lock set req. for 'L'		A117L6050S	1
15	Finisher Ring, cap to clamshell			A138L0030F	1
16	Gasket, spacer ring to clamshell			A117L0027F	1
17	Spacer Ring, filler to clamshell	Includes gasket item 16		A117L0067F	1

EXIGE

Function Code 44.01 Fuel Tanks, Filler

<u>Dep</u>	<u>Part Description</u>	<u>Remarks</u>	<u>Option</u>	<u>Part Number</u>	<u>Qty</u>
18	Screw, M5 x 25, skt, csk hd S/S., filler neck to clamshell			A121W7214F	8
19	Screw, M5 x 10, skt. cap hd., S/S, ring to filler neck			A117L6032F	2
20	Earth Braid, filler neck			A079M4094F	1
21	Nyloc Nut, M5, braid to filler neck			A100W3113F	2
22	Washer, flat, M5 x 10 x 0.8, braid to filler neck			A075W4011F	2
23	Earth Lead, fuel tank			A120M0030H	1
24	Screw, M8 x 25, hex. flg. hd., brackets to chassis			A132W5006F	6
25	'O' Ring, finisher ring			A117L6005F	1
26	Foam Pad, tank bay aperture	Bonded to access panel		A120L0056F	1
27	Support Pad, fuel tank front			B120L0058F	1
28	Gasket, finisher ring to clamshell			B117L0026F	1



EXIGE
44.03

Updated 1st October 2013

Service Parts List

EXIGE



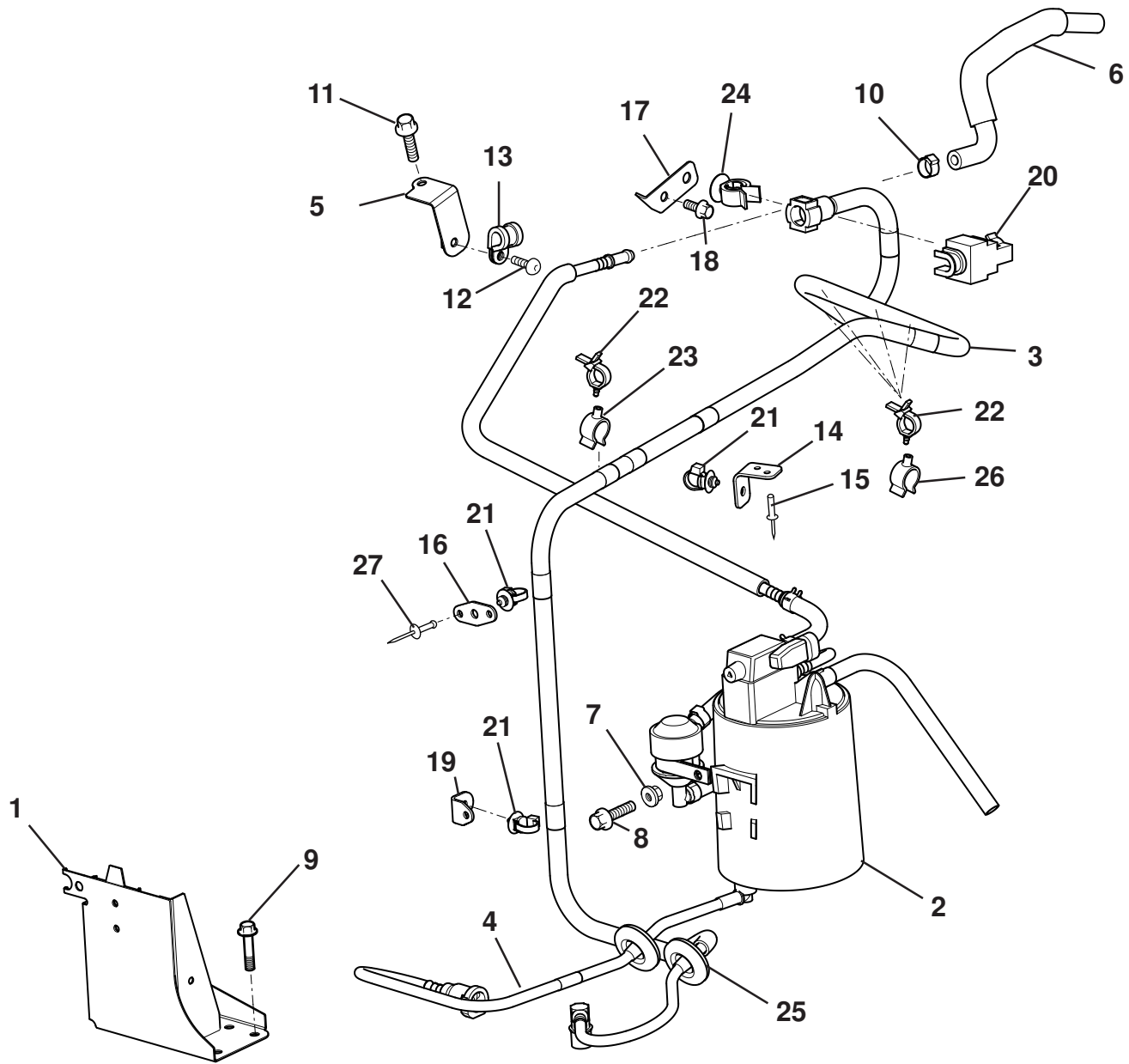
Function Code 44.03 Fuel Pump; Filter, Pipes

<u>Dep</u>	<u>Part Description</u>	<u>Remarks</u>	<u>Option</u>	<u>Part Number</u>	<u>Qty</u>
01	Top Plate, fuel pump module			A120L6008S	1
02	Base Filter, fuel pump module			A120L6007S	1
03	Seal, fuel pump			A120L6009S	1
04	Regulator, fuel pressure			A132E6339S	1
05	'O' Ring, fuel pressure regulator			A132E6340S	1
06	Sensor, vapour pressure			A132L6027F	1
07	Pump Fuel, with filter	Discard filter supplied		A132E6499H	1
08	Spacer, pump to module			A120L6004S	1
09	Seal, pump to module			A120L6005S	1
10	Filter, fuel pump pickup			A120L6001S	1
11	Clip, star washer			A132L6003S	1
12	Cushion Support, fuel pump			A120L6006S	1
13	Cap, fuel pump module base			A120L6010S	1
14	Sender Assembly, fuel gauge			A120L0020S	1
15	Clip, fuel feed to pump			A132L6024F	2
16	Fuel Feed Pipe Assembly	See 44.05		A138L0014F	1
17	Pipe Assembly, tank to quick connector	See 44.05		A138L0015F	1
18	Clamp Ring, fuel pump			A120L0013H	1

EXIGE

Function Code 44.03 Fuel Pump; Filter, Pipes

<u>Dep</u>	<u>Part Description</u>	<u>Remarks</u>	<u>Option</u>	<u>Part Number</u>	<u>Qty</u>
19	Spacer Ring, fuel pump			B121L0031H	1
20	Nyloc Nut, M6, pump to tank			A120L0014H	8
21	Access Panel, fuel pump connections			A120L0046F	1
22	Screw, panel to chassis			A111W7117F	4



EXIGE

44.05

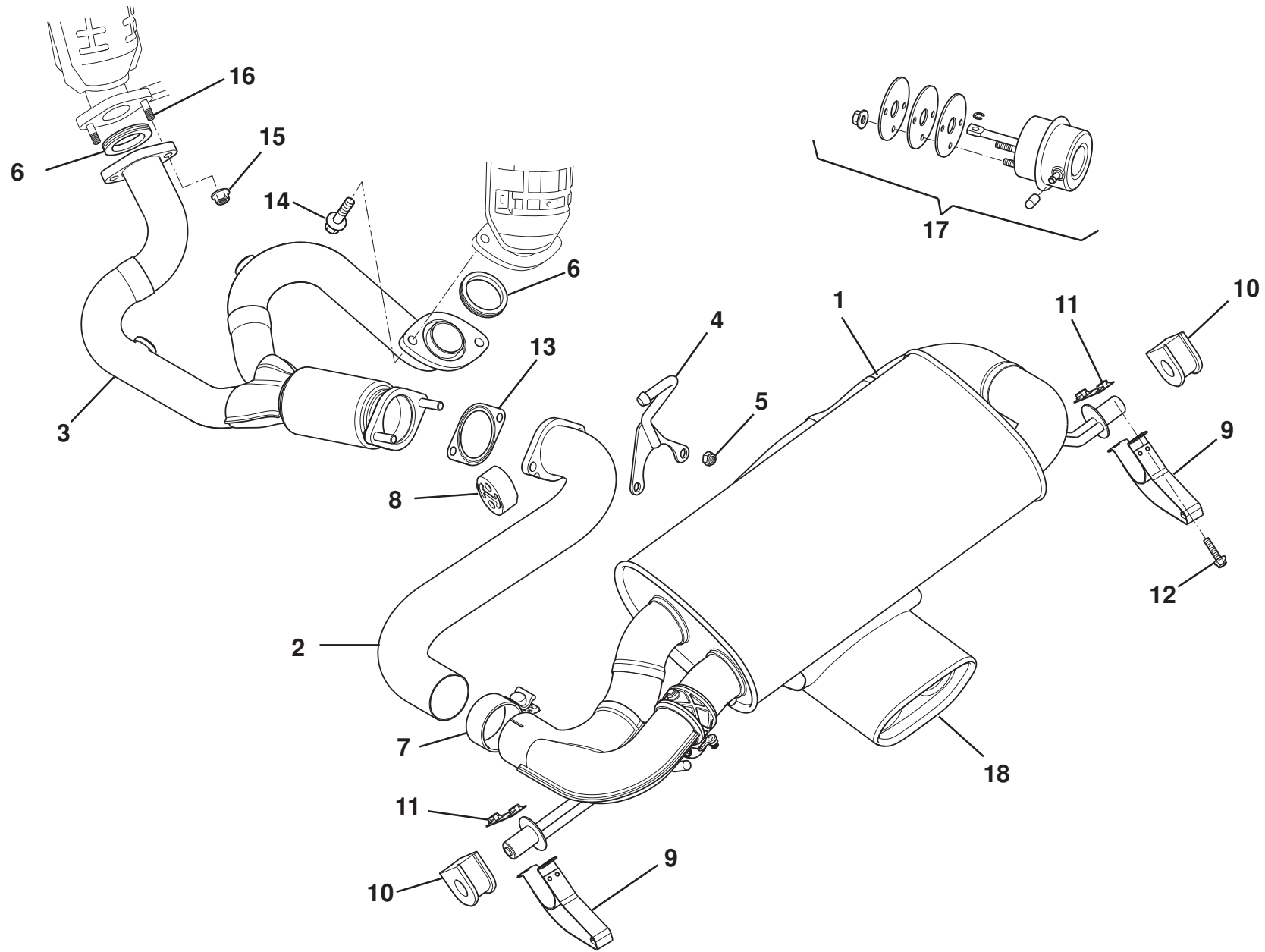
Function Code 44.05 Charcoal Canister & Evaporative Loss System.

<u>Dep</u>	<u>Part Description</u>	<u>Remarks</u>	<u>Option</u>	<u>Part Number</u>	<u>Qty</u>
01	Mounting Bracket Assembly, fuel evap. Canister			B138L0001F	1
02	Fuel Evaporator Canister Assembly			A138L0002F	1
03	Fuel Feed Pipe Assembly			A138L0014F	1
04	Pipe Assembly, tank to quick connector			A138L0015F	1
05	Pipe Bracket Assmby, cannister to manifold			A138L0028F	1
06	Hose, fuel vapour feed no.2			A132L6008F	1
07	Nut M6 hex flg			A117W3180F	1
08	Screw M6 x 16 hex flg			A132W5003F	1
09	Bolt M6 x 20 hex flg			A117W2203F	3
10	Clip Oetiker 13.3mm s/s			A124W6818F	1
11	Bolt M6 x 16 hex flg			A918W5208F	1
12	Screw M6 x 16 but cap s/s blk			A082W7105F	1
13	Clip			A111W6595F	1
14	Support Bracket, fuel feed bulkhead			B132L0070F	1
15	Pop Rivet			A082W6512F	2
16	Plate, fuel feed pipe mounting			A138L0024F	1
17	Support Bracket, fuel feed rail			B132L0032F	1
18	Screw M6 x 12 hex flg			A132W5010F	1
19	Mounting Bracket, fuel feed pipe			B138L0025F	1
20	Clamp, fuel pipe no.2			A132E6332S	1
21	Tie Wrap Clip			A116K6020F	4



Function Code 44.05 Charcoal Canister & Evaporative Loss System.

<u>Dep</u>	<u>Part Description</u>	<u>Remarks</u>	<u>Option</u>	<u>Part Number</u>	<u>Qty</u>
22	Swivel Clip Tie Wrap			A082W6324F	5
23	Swivel Clip			A082W6587F	1
24	Pipe Clip 10-14			A128W6831F	1
25	Grommet			A138L0016H	2
26	Cable Clip			A132W6047F	4
27	Pop Rivet, brackets to boot bulkhead			A089W6297F	3



EXIGE
45.01

Service Parts List

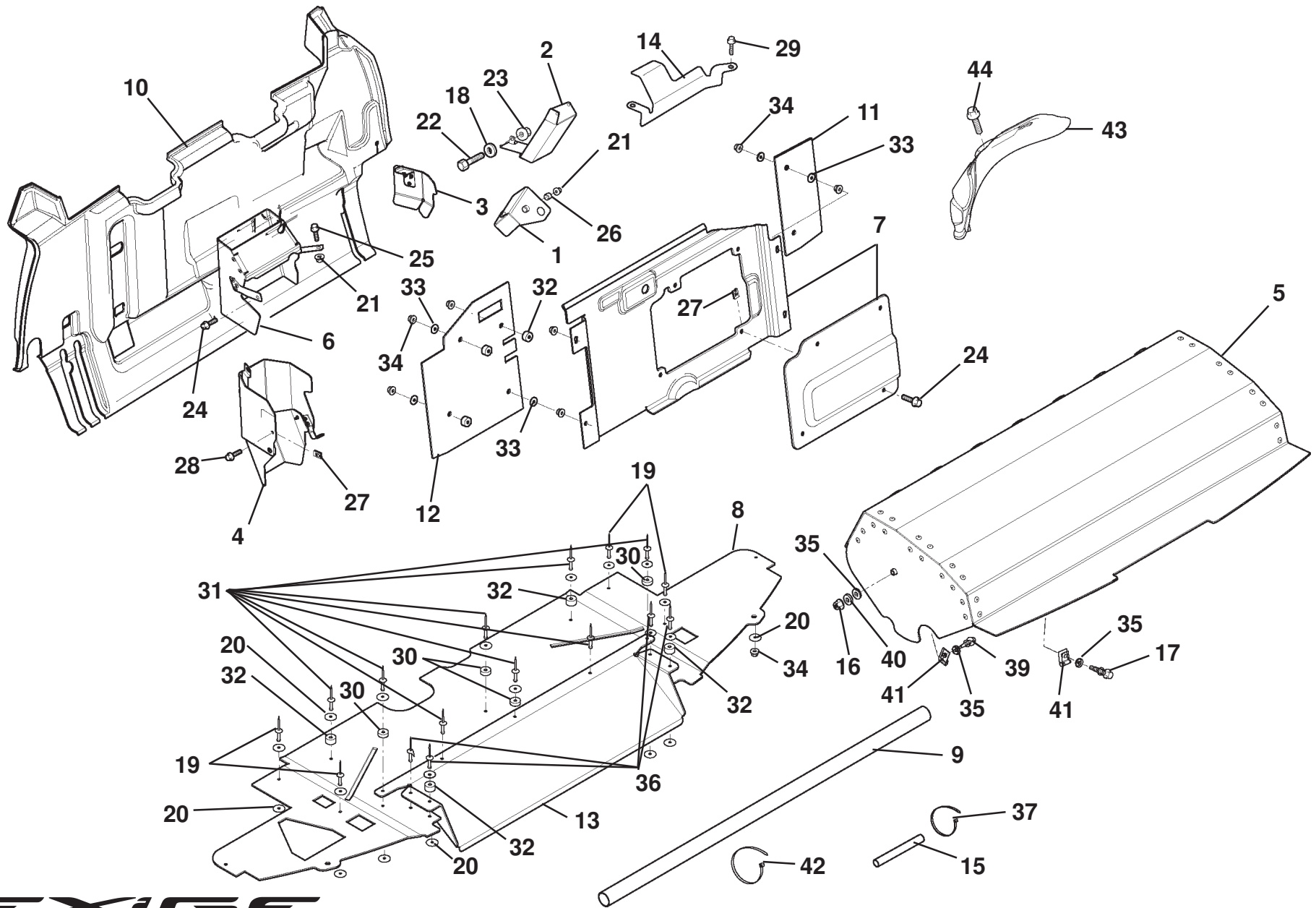
EXIGE



Function Code 45.01 Exhaust System

<u>Dep</u>	<u>Part Description</u>	<u>Remarks</u>	<u>Option</u>	<u>Part Number</u>	<u>Qty</u>
01	Silencer Assembly			A132S0180F	1
02	Pipe Assembly Exhaust, downpipe to silencer			A138S0034F	1
03	Downpipe			A132S0110F	1
04	Bracket, catalyst to hanger			A132S0121F	1
05	Nut, M8, lock, copper coated, downpipe to catalyst			A132W3014F	2
06	Gasket, downpipe to manifold			A132E6039S	2
07	Torca Clamp, pipe assy to silencer			A120S6000S	1
08	Exhaust Hanger, catalyst mounting			A132S6004F	1
09	Exhaust Hanger, silencer mounting			B138S0023F	2
10	Exhaust mounting			A132S0171F	2
11	Bolt, M8 x 20, hex. flg. hd., strap to subframe			A132W5005F	4
12	Nutplate, M8, strap to subframe			A132S0063F	2
13	Gasket, downpipe to main catalytic converter pipe			A132S0062F	1
14	Bolt, RH manifold to downpipe			A132E6362S	2
15	Nut, LH manifold to downpipe			A132E6504S	2
16	Stud, LH manifold to downpipe	Also see section 40.21		A132E6153S	2
17	Valve Actuator Kit			A132S6016S	1
18	Exhaust finisher, titanium		Sports pack	B132S0076F	1

EXIGE



EXIGE

45.05

Updated 1st July 2013

Service Parts List

EXIGE



Function Code 45.05 Heatshields

<u>Dep</u>	<u>Part Description</u>	<u>Remarks</u>	<u>Option</u>	<u>Part Number</u>	<u>Qty</u>
01	Heatshield Assembly, rear engine mount			C132S0011F	1
02	Heatshield Assembly, driveshaft bearing			B132S0084	1
03	Heatshield Assembly, alternator			B132S0095F	1
04	Heatshield Assembly, front catalyst			A138S0049F	1
05	Heatshield Assembly, silencer			B138S0025F	1
06	Heatshield Assembly, vent duct			B138S0015F	1
07	Heatshield Assembly, bootbox front			A138S0003F	1
08	Heatshield, bootbox lower			A138S0005F	1
09	Heatshield, anti roll bar sleeve	Also for gear cables		B132S0119F	3
10	Insulation, rear bulkhead			A138U0008F	1
11	Heatshield, bootbox front RH			A138S0042F	1
12	Heatshield, bootbox front LH			A138S0043F	1
13	Heatshield Scoop, bootbox lower			A138S0040F	1
14	Heatshield, rear cylinder head			A138S0020F	1
15	Heatshield, wheel speed sensor			A138S0053F	2
16	Nut M6 hex flange			A117W3180F	2
17	Screw M6 x 20 hex flg			A132W5004F	6
18	Washer 7/16 x 7/8			B120W4199F	2

EXIGE

Function Code 45.05 Heatshields

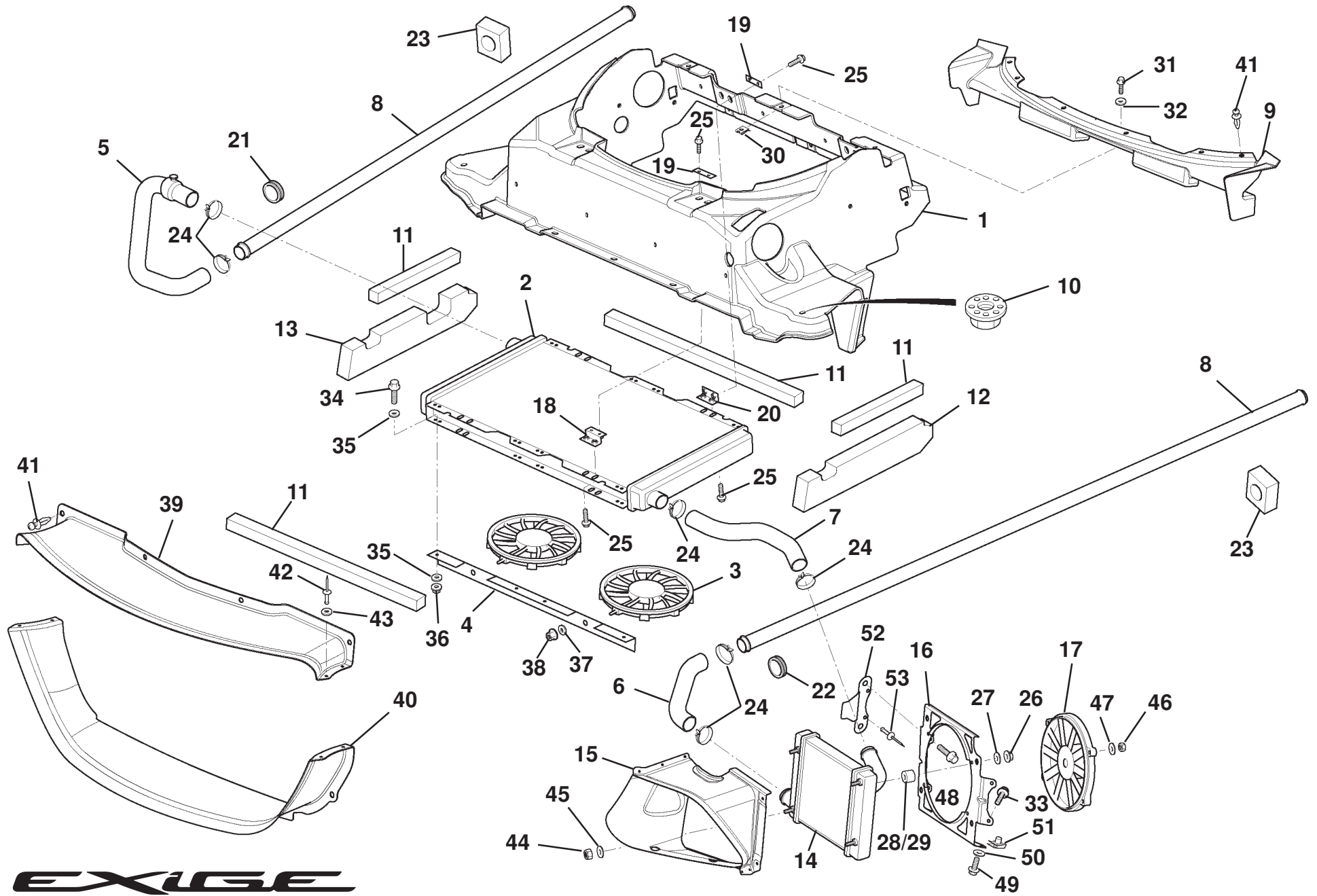
<u>Dep</u>	<u>Part Description</u>	<u>Remarks</u>	<u>Option</u>	<u>Part Number</u>	<u>Qty</u>
19	Pop Rivet			A111W6614F	4
20	Washer Flat M5 x 25 x 1.4 black			A082W4098	30
21	Nut M8 hex flg			A132W3006F	2
22	Setscrew M10 x 50 hex hd			A132W2045F	2
23	Nut M10 hex flg			A132W3007F	2
24	Bolt M6 x 14 hex flg			A116W5233F	5
25	Screw M8 x 25 hex flg			A132W5006F	1
26	Spacer, heatshield rear engine mounting			A117S0053F	1
27	Speed nut M6			A117W6715F	5
28	Screw M6 x 20 hex flg			A132W5004F	1
29	Screw M6 x 12 hex flg			A132W5010F	2
30	Spacer, heatshield bootbox lower			A138S0041F	4
31	Pop Rivet			A138W6022F	8
32	Spacer, heatshield bootbox front			A138S0045F	4
33	Washer Flat 3/16 x 3/4 x 16			B075W4009Z	9
34	Nut M5 hex flg			A138W3005F	12
35	Washer M6 x18 x 1			B082W4018F	11
36	Pop Rivet			A111W6613F	4
37	Cable Tie, wheel speed sensor heatshield			A132W6095F	2
38	Nut M5			A138W3005F	2
39	Screw M6 x 25 hex flg			A132W5014F	3



Function Code 45.05 Heatshields

<u>Dep</u>	<u>Part Description</u>	<u>Remarks</u>	<u>Option</u>	<u>Part Number</u>	<u>Qty</u>
40	Spacer			A907E0696K	2
41	'P' Clip			A132W6090F	4
42	Cable Tie, gear cable heatshield			A075W6038F	2
43	Heatshield, exhaust manifold, LH*			A132E6317S	1
44	Flange bolt/washer, exhaust manifold heatshield, LH			A132E6390S	3

*RH heatshield supplied with manifold



EXIGE

46.01

Updated 16th January 2013

Service Parts List

EXIGE



Function Code 46.01 Engine Cooling System & Fan

<u>Dep</u>	<u>Part Description</u>	<u>Remarks</u>	<u>Option</u>	<u>Part Number</u>	<u>Qty</u>
01	Panel Radiator Surround			D138B0008F	1
02	Radiator Assembly			C117K0021F	
03	Radiator Cooling Fan			A111M6070F	2
04	Bracket, fans to radiator			A117K0025F	2
05	Hose, radiator front RH			A138K0047F	1
06	Hose Inlet, frt cnr lwr			A138K0003F	1
07	Hose, frt cnr lwr to cenral radiator			A138K0004F	1
08	Pipe Coolant Feed & Return			B116K0018F	2
09	Panel Radiator Shroud			B138B0009F	1
10	Captive Nut, M8, big hd., housing to clamshell			B111W6592F	2
11	Foam, end seal	Cut into 2 equal sections for rad end seal		A138B0110F	3
12	Foam, end seal LH	Remove pre-cut slots		A138B0108F	1
13	Foam, end seal RH	Remove pre-cut slots		A138B0109F	1
14	Auxillary Radiator Assembly			A138K0001F	1
15	Duct Assembly, side cooler			A138B4007J	1
16	Bracket, side cooler			B138B4091F	1
17	Auxillary Fan, suction			A138K6014F	1
18	Bracket, radiator to housing front			A117K0005F	2

EXIGE

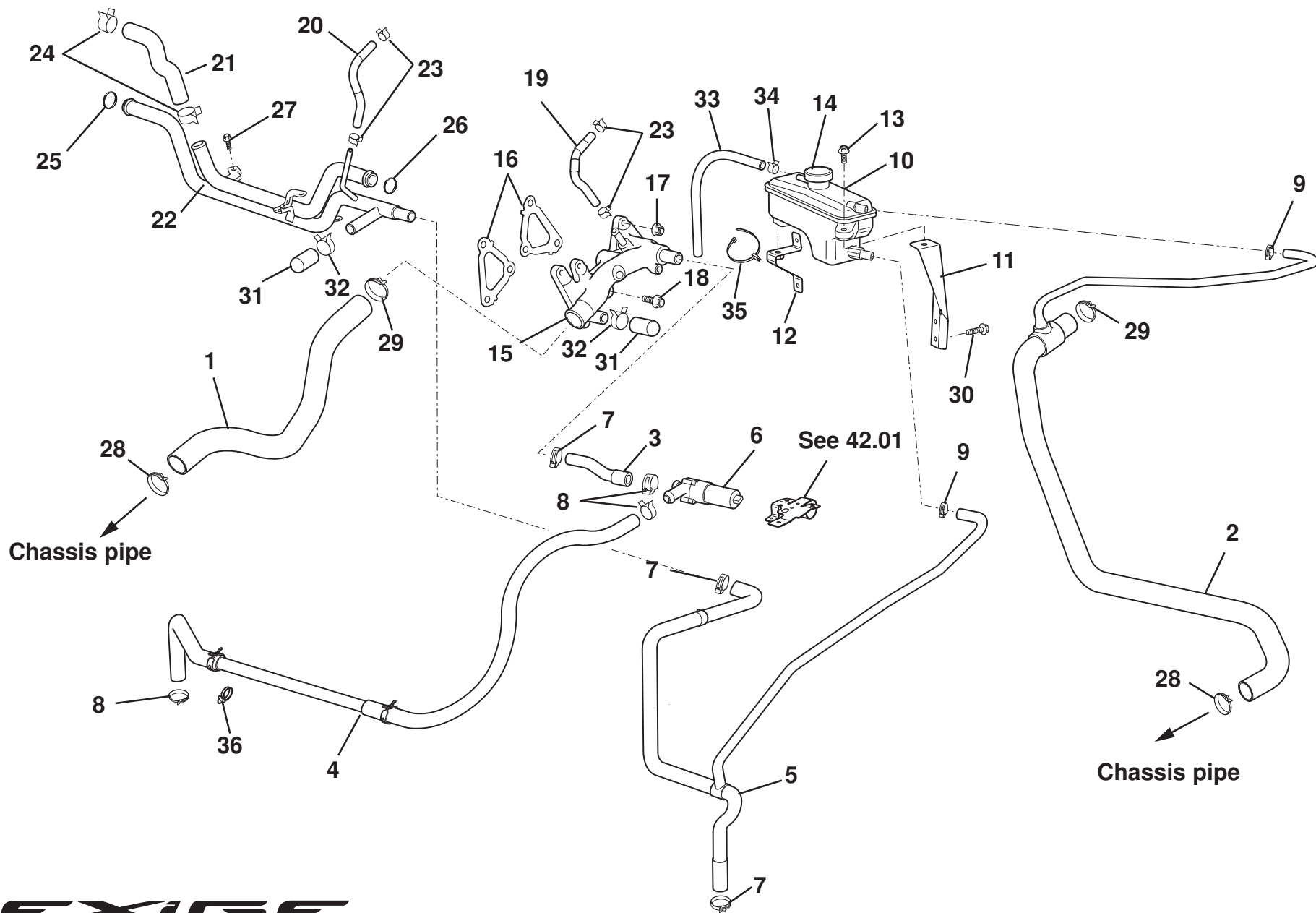
Function Code 46.01 Engine Cooling System & Fan

<u>Dep</u>	<u>Part Description</u>	<u>Remarks</u>	<u>Option</u>	<u>Part Number</u>	<u>Qty</u>
19	Plate Centre, radiator mounting			A138K0027F	5
20	Bracket Assembly, rear radiator mounting			A138K0028F	3
21	Grommet, pipe through chassis front, LH			A111K6006F	1
22	Grommet, pipe through chassis front, RH			A082L6159Z	1
23	Seal, pipe to chassis			A111A0033F	4
24	Clamp Hose, 40mm			A116K6015F	6
25	Bolt M8 x 16 hex flg hd.			B117W2202F	16
26	Nut M8, auxillary radiator			A075W3021Z	4
27	Washer Flat M8 x 20.5 x 1.4, auxillary radiator			A082W4165F	4
28	Compression Sleeve, auxillary radiator			A132K6006F	4
29	Bush, auxillary radiator			A132K6005F	4
30	Clip Speed Fix, radiator shroud			B100W6372F	3
31	Screw M5 x 16, radiator shroud			A111W1163F	3
32	Washer Flat, 3/16 x 3/4 x 16, radiator shroud			B075W4009Z	3
33	Screw M6 x 20 hex flg. side cooler bracket			A132W5004F	2
34	Screw, M6 x 16, hex. hd., bracket to radiator			A075W1028Z	8
35	Washer, flat, M6 x 12, bracket to radiator			A075W4013Z	16
36	Nyloc Nut, M6, bracket to radiator			A075W3009Z	8
37	Nyloc Nut, M5, fan to bracket			A075W3008Z	4
38	Washer, flat, M5 x 18 x 1.4, fan to bracket			B075W4009Z	4
39	Duct Centre Cooler Upper			A138B0046F	1



Function Code 46.01 Engine Cooling System & Fan

<u>Dep</u>	<u>Part Description</u>	<u>Remarks</u>	<u>Option</u>	<u>Part Number</u>	<u>Qty</u>
40	Duct Centre Cooler Lower			A138B0047F	1
41	Scrivet, panel radiator shroud/ centre duct			A120W6848F	13
42	Rivet, centre duct			A132W6024F	4
43	Washer M4, centre duct			A082W4099F	4
44	Nut Nyloc M6, duct side cooler			A075W3009F	4
45	Washer flat, 6 x 15 x 1.5, duct side cooler			A075W4015Z	4
46	Nut Nyloc M6, thin, fan			A907E6285F	4
47	Washer flat, 6 x 15 x 1.5, fan			A075W4015F	4
48	Screw M8 x 20 hex flg, side cooler bracket			A132W5005F	2
49	Screw M5 x 16, hex s/s, side cooler bracket			A111W1163F	2
50	Washer Flat 3/16 x 3/4 x16g, side cooler bracket			B075W4009Z	2
51	Speed Clip M5, side cooler bracket			B100W6372F	2
52	Bracket Assembly			A138B0148F	1
53	Rivet, bracket to crash structure			A132W6024F	2



EXIGE

46.02

Updated 4th April 2013

Service Parts List

EXIGE



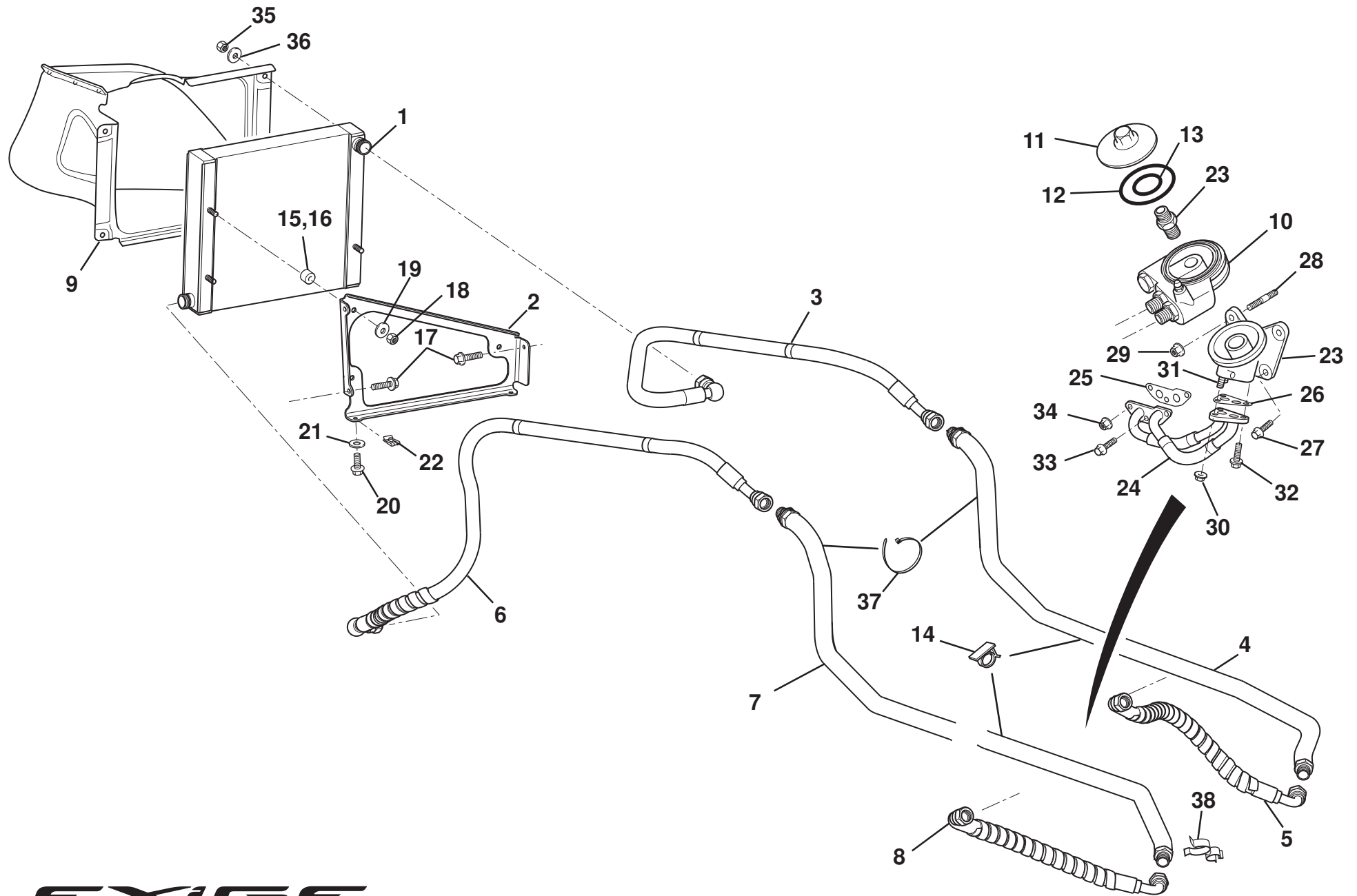
Function Code 46.02 Engine Cooling System

<u>Dep</u>	<u>Part Description</u>	<u>Remarks</u>	<u>Option</u>	<u>Part Number</u>	<u>Qty</u>
01	Hose Inlet			A138K0017F	1
02	Hose Outlet			A138K0018F	1
03	Assembly Hose, recirc pump			A132P0004F	1
04	Hose Feed, heater to recirc pump	Also see 18.05		B138P0017F	1
05	Hose Return, heater to engine	Also see 18.05		A138P0009F	1
06	Recirculation Pump			A117K0013F	1
07	Hose Clamp, 26mm			A120W6776F	3
08	Hose Clamp, 27mm, heater feed/return hoses			A116K6016F	3
09	Hose Clamp, 17.7mm, hose to header tank			A120W6739F	2
10	Tank Assembly, reserve, radiator pressure system			A132E6312S	1
11	Bracket Assembly Header Tank Left			A138K0021F	1
12	Bracket Assembly Header Tank Right			A138K0022F	1
13	Screw, M8 x 20, hex. flg. hd., header tank to bracket			A132W5005F	2
14	Cap, header tank 108kPa			A120E6341S	1
15	Water Outlet			A132E6257S	1
16	Gasket, water outlet to cylinder head			A132E6259S	2
17	Nut, flange, water outlet to head	For stud see 40.05		A132E6473S	4
18	Bolt, hex.flg. hd., water outlet to head			A132E6467S	2

EXIGE

Function Code 46.02 Engine Cooling System

<u>Dep</u>	<u>Part Description</u>	<u>Remarks</u>	<u>Option</u>	<u>Part Number</u>	<u>Qty</u>
19	Hose, water by-pass No.2, outlet to throttle body			A132E6311S	1
20	Hose, water by-pass No.3, throttle body to water inlet pipe			A132E6268S	1
21	Hose, water by-pass No.1, water outlet to water inlet			A132E6267S	1
22	Pipe Assembly, water inlet			A132E6269S	1
23	Hose Clip, water by-pass No. 2 & No. 3			A132E6271S	4
24	Hose Clip, water by-pass No. 1			A132E6270S	2
25	'O' Ring, water inlet pipe to water inlet housing			A132E6273S	1
26	'O' Ring, water outlet housing to by-pass pipe			A132E6272S	1
27	Bolt, hex.flg. hd., water inlet pipe retention			A132E6471S	2
28	Clamp Hose, 40mm			A116K6015F	2
29	Clamp Hose, 44mm			A116K6014F	2
30	Bolt M8 x 16, hex flg, header tank bracket			A132W5013F	2
31	Blanking Cap			A132E0080F	2
32	Clip			A132E6091H	2
33	Hose Overflow			A132K0053F	1
34	Clip Hose			A124W6818F	1
35	Edge Clip Cable Tie			A126W6894F	1
36	Tie Wrap Clip			A116K6020F	2



EXIGE

46.07

Updated 31st May 2013

Service Parts List

EXIGE



Function Code 46.07 Single Oil Cooler System Engine

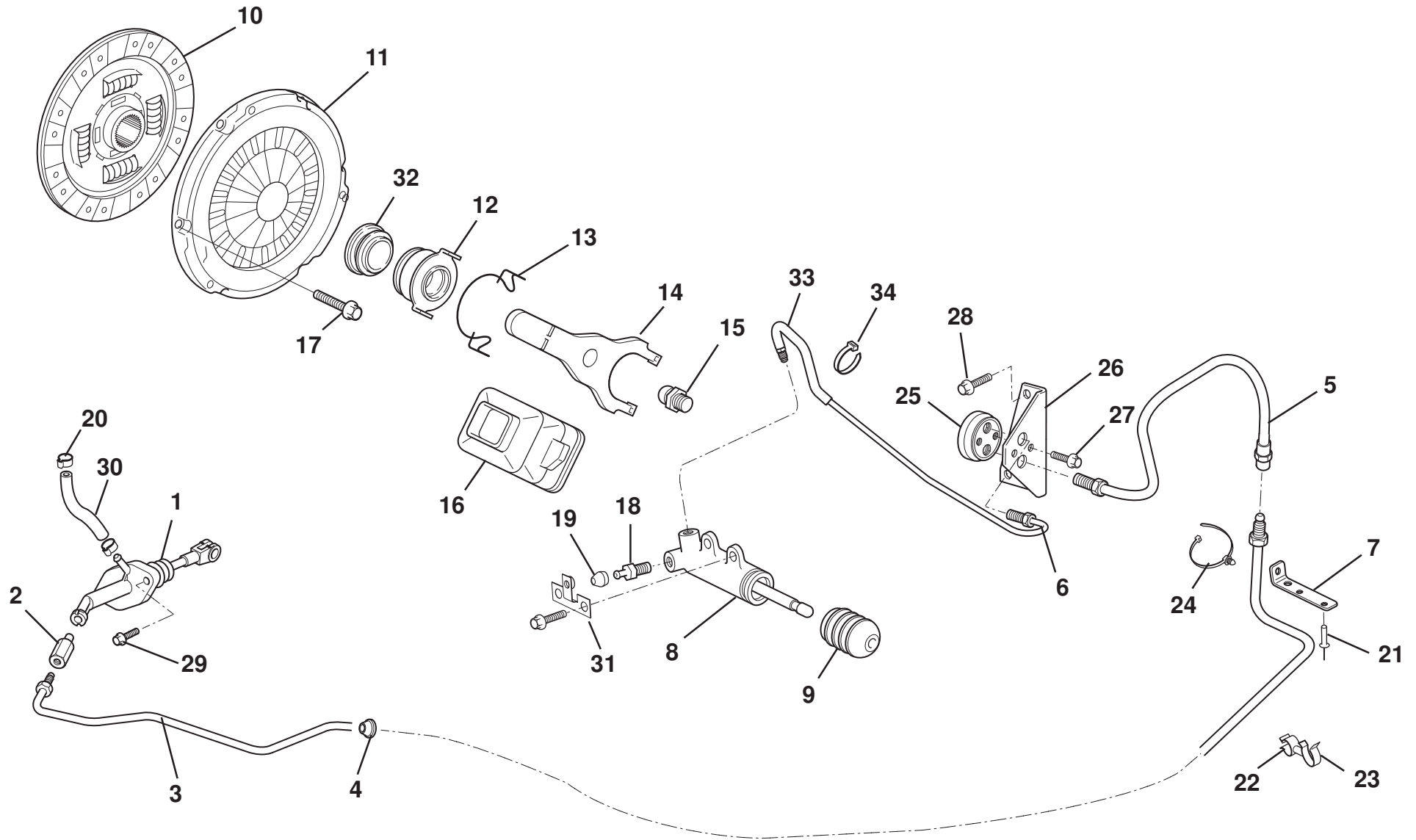
<u>Dep</u>	<u>Part Description</u>	<u>Remarks</u>	<u>Option</u>	<u>Part Number</u>	<u>Qty</u>
01	Radiator Assembly, oil cooler			A138K0002F	1
02	Bracket Side Cooler Mounting			A138B4092F	1
03	Hose Assembly Return Front. oil cooler			A138K0030F	1
04	Hose Assembly Return. oil cooler			A138K0034F	1
05	Hose Assembly Return Rear. oil cooler			B138K0033F	1
06	Hose Assembly Feed Front. oil cooler			B138K0031F	1
07	Hose Assembly Feed. oil cooler			A138K0035F	1
08	Hose Assembly Feed Rear. oil cooler			B138K0032F	1
09	Duct Assembly Side Cooler			A138B4008J	1
10	Sandwich Plate Assembly , with thermostat			B120K6001F	1
11	Cap, sandwich plate			A132E0068F	1
12	'O' Ring, sandwich plate outer			A132E0070F	1
13	'O' Ring, sandwich plate inner			A132E0071F	1
14	Edge Clip, oil cooler hose			A126W6896F	2
15	Compression Sleeve, oil cooler			A132K6006F	3
16	Bush, oil cooler			A132K6005F	3
17	Screw M8 x 20 hex flg, side cooler bracket			A132W5005F	3
18	Washer Flat M8 x 20 x 1.4, side cooler bracket			A082W4165F	3

EXIGE

Function Code 46.07 Single Oil Cooler System Engine

<u>Dep</u>	<u>Part Description</u>	<u>Remarks</u>	<u>Option</u>	<u>Part Number</u>	<u>Qty</u>
19	Nut M8, side cooler bracket			A075W3021Z	3
20	Screw M5 x 16, hex s/s, side cooler bracket			A111W1163F	2
21	Washer Flat 3/16 x 3/4 x16g, side cooler bracket			B075W4009Z	3
22	Speed Clip M5, side cooler bracket			B100W6372F	2
23	Housing			A132E6086H	1
24	Hose Assembly, oil feed and return			A132E6085H	1
25	Gasket, hose assembly to sump			A132E0060S	1
26	Gasket, hose assembly to housing			A132E6087H	1
27	Screw, hex. flg. hd., housing to block			A132E6081H	2
28	Stud, housing to block			A132E6082H	1
29	Nut, flange., housing to block			A132E6474S	1
30	Nut, flange, hose assembly to housing			A132E6474S	3
31	Stud, hose assembly to housing			A132E6116S	2
32	Bolt M8 x 25, hex. flg. hd., hose assembly to housing			A132W5006F	1
33	Bolt M8 x 25, hex. flg. hd., hose assembly to sump			A132W5006F	1
34	Nut, flange, hose assembly to sump			A132E6474S	2
35	Nut Nyloc M6, duct side cooler			A075W3009F	4
36	Washer flat, 6 x 15 x 1.5, duct side cooler			A075W4015Z	4
37	Cable Tie. oil cooler hose			A132W6095F	2
38	Clip Double			A132W6086F	1





EXIGE

47.01

Updated 1st July 2013

Service Parts List

EXIGE



Function Code 47.01 Clutch & Release Mechanism

<u>Dep</u>	<u>Part Description</u>	<u>Remarks</u>	<u>Option</u>	<u>Part Number</u>	<u>Qty</u>
01	Clutch Master Cylinder			A120Q0007H	1
02	Quick Connector, pipe to master cylinder			A116Q6001F	1
03	Pipe, clutch, front, RHD			A138Q0010F	1
03a	Pipe, clutch, front, LHD			A138Q0011F	1
04	Grommet, front pipe			A075U6043Z	1
05	Clutch Hose Assembly, side to damper			B138Q0005F	1
06	Clutch Pipe Assembly, rear, damper to slave cylinder			A132Q0022F	1
07	Bracket, clutch hose to chassis			B120Q0005F	1
08	Slave Cylinder, clutch			A132Q6010S	1
09	Boot, slave cylinder			A120Q6013S	1
10	Clutch Driven Plate			A132F0139F	1
11	Clutch Cover			A132F0116F	1
12	Clutch Release Bearing			A132Q6007S	1
13	Clip, clutch release bearing			A132Q6008S	1
14	Clutch Release Fork			A132Q6006S	1
15	Support Pivot, clutch release fork			A132Q6009S	1
16	Boot, clutch release fork			A132Q6005S	1
17	Bolt, clutch cover to flywheel			A120Q6002S	6

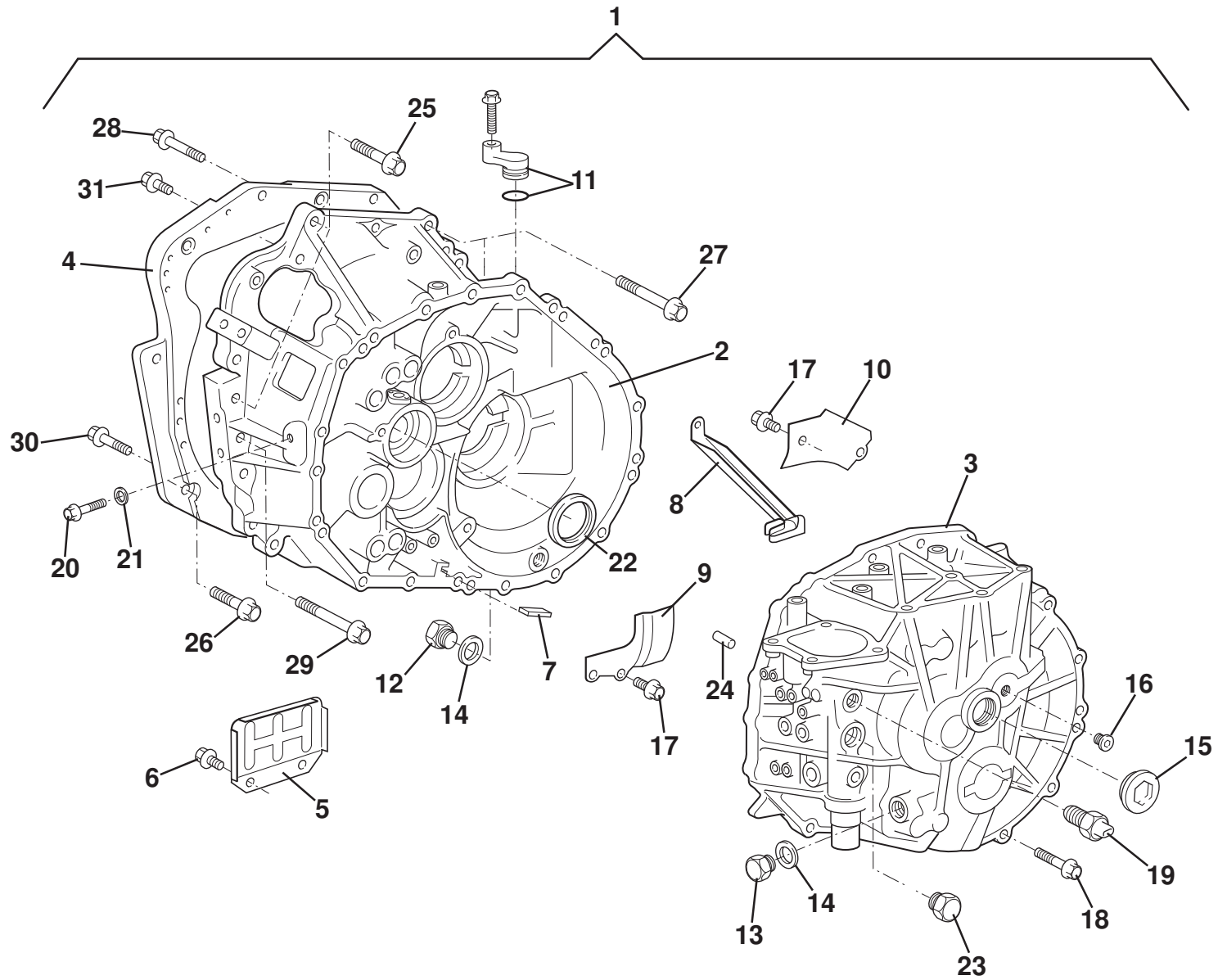
EXIGE

Function Code: 47.01, Page: 1

Updated 1st August 2013

Function Code 47.01 Clutch & Release Mechanism

<u>Dep</u>	<u>Part Description</u>	<u>Remarks</u>	<u>Option</u>	<u>Part Number</u>	<u>Qty</u>
18	Bleed Plug, slave cylinder			A120Q6015S	1
19	Cap, bleed plug			A120Q6014S	1
20	Clip Oetiker			A124W6818F	2
21	Pop Rivet			A111W6613F	2
22	Swivel Clip			A082W6587F	4
23	Swivel Clip			A116W6656F	4
24	Cable Tie Fir tree Clip			A116K6020F	2
25	Damper, clutch actuation			A132Q0021F	1
26	Bracket, damper mounting			A132Q0024F	1
27	Bolt, M6 x 12, hex. flg. hd., damper to bracket			A132W5010F	2
28	Screw, M8 x 20, hex. flg. hd., bracket to chassis			A132W5005F	3
29	Bolt M8 x 25 hex flg			A132W5006F	2
30	Hose Clutch Reservoir LHD			A138Q0009F	1
30a	Hose Clutch Reservoir RHD			A138Q0035F	1
31	Bracket, slave cylinder			A120Q6016S	1
32	Adaptor, clutch release bearing			A132F0014F	1
33	Wrap Heat Protective			A120L0061F	1
34	Cable Tie			A132W6095F	1



EXIGE

47.03

Service Parts List

EXIGE



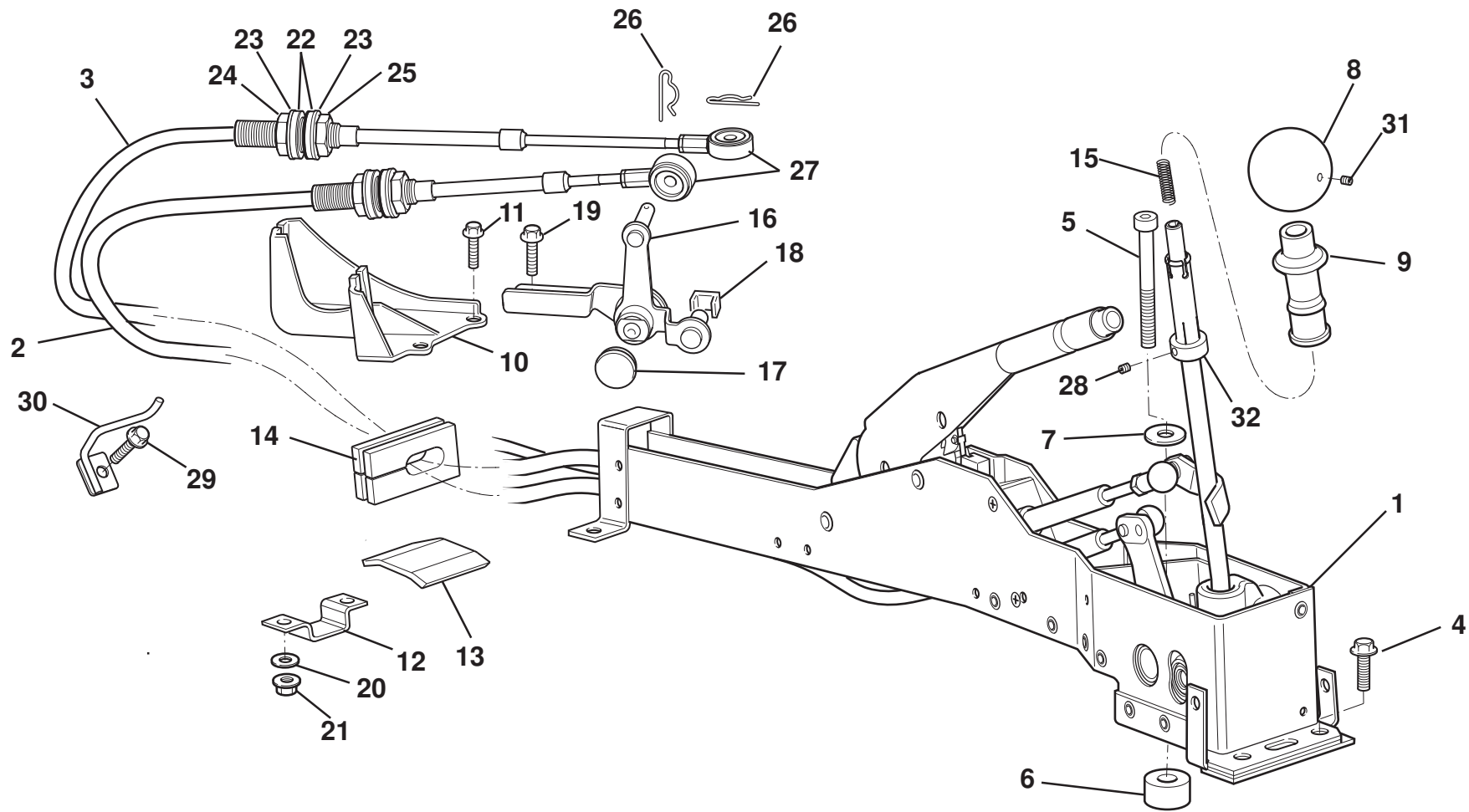
Function Code 47.03 Transmission Assembly

<u>Dep</u>	<u>Part Description</u>	<u>Remarks</u>	<u>Option</u>	<u>Part Number</u>	<u>Qty</u>
01	Transmission Assembly, manual 6 speed, sports ratios	Includes Items 8,9,12,13,14,15,16,18,19 from 47.01		B132F0059K	1
02	Transaxle Casing			A132F6038S	1
03	Transmission Casing			A132F6045S	1
04	Adaptor Plate, engine to transmission			A132F0012F	1
05	Cover, flywheel housing lower			A132E6300S	1
06	Bolt, hex. flg. hd., cover fixing			A132E6390S	2
07	Magnet, swarf attraction			A132F6098S	1
08	Pipe, oil receiver			A132F6046S	1
09	Separator, transmission oil			A132F6048S	1
10	Separator, transmission oil			A132F6049S	1
11	Cover, speedometer drive hole	Includes 'O' ring		A132E6334S	1
12	Drain Plug			A120F6041S	1
13	Filler Plug			A131F6053S	1
14	Washer, plug sealing			A132F6170S	2
15	Plug, transmission casing, large			A132F6148S	1
16	Plug, transmission casing, small			A120F6163S	1
17	Bolt, hex. flg. hd., separators to case			A132F6137S	4

EXIGE

Function Code 47.03 Transmission Assembly

<u>Dep</u>	<u>Part Description</u>	<u>Remarks</u>	<u>Option</u>	<u>Part Number</u>	<u>Qty</u>
18	Bolt, hex. flg. hd., transmission casing to transaxle casing			A120F6032S	18
19	Switch, reverse lamp			A132F6132S	1
20	Bolt, hex. flg. hd.,			A132F6136S	1
21	Washer, flat			A132F6169S	1
22	Oil Seal, input shaft			A132F6144S	1
23	Plug, transmission casing			A132F6147S	1
24	Dowel, transmission casing to transaxle casing			A120E6196S	1
25	Bolt, M12 x 50, hex. flg. hd., transmission to engine			A132F6020H	2
26	Bolt, M12 x 40, hex. flg. hd., plate to engine			A132F6024H	3
27	Bolt, M12 x 80, hex. flg. hd., transmission to engine			A132F6031H	2
28	Bolt, M10 x 70, hex. flg. hd., engine to transmission			A132E6266S	1
29	Bolt, M12 x 90, hex. flg. hd., transmission to engine			A132E6360S	1
30	Bolt, M10 x 60, hex. flg. hd., engine to transmission			A132E6381S	2
31	Bolt, M10 x 35, hex. flg. hd., engine to transmission			A132E6421S	1
32	Gasket Kit, manual transaxle	Not illustrated		A132F6037S	1



EXIGE

47.05

Updated 1st August 2013

Service Parts List

EXIGE



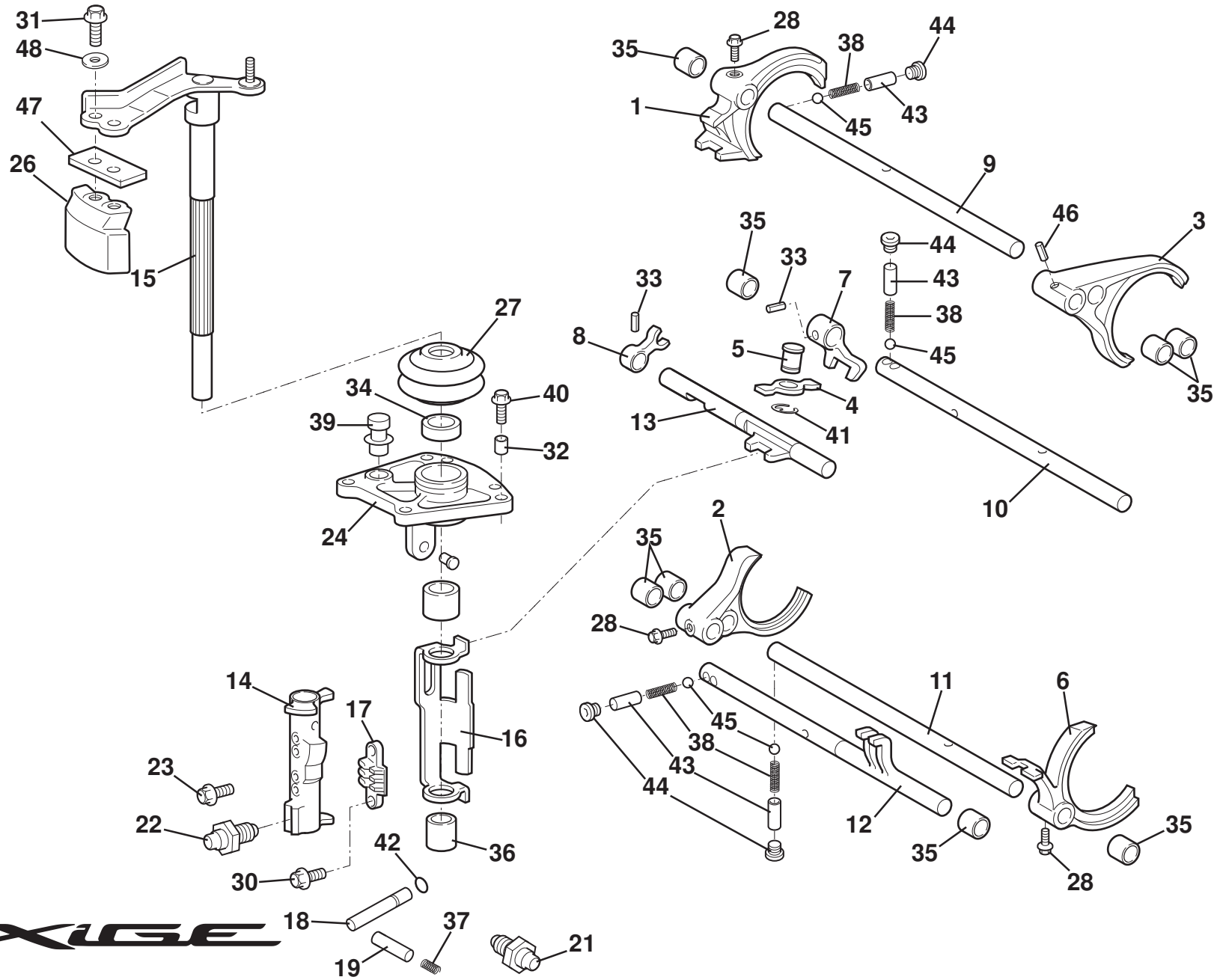
Function Code 47.05 Gearchange Mechanism, External

<u>Dep</u>	<u>Part Description</u>	<u>Remarks</u>	<u>Option</u>	<u>Part Number</u>	<u>Qty</u>
01	Gearshift/Parking Brake Assembly, RHD	Includes Cables		A138F4004F	1
01a	Gearshift/Parking Brake Assembly, LHD	Includes Cables		A138F4003F	1
02	Cable, crossgate	Items 22 to 27 not included, headshield see 45.05		A138F0010F	1
03	Cable, select	Items 22 to 27 not included, headshield see 45.05		A138F0011F	1
04	Screw, M8 x 25, flg. hd., assy. to chassis			A116W5235F	2
05	Screw, M8 x 45, skt cap. hd., assy. to chassis			A111W7137F	1
06	Spacer, gearshift asm, chassis			A120F0015F	1
07	Washer M8 x 25 x1.5			B075W4021F	1
08	Gear Knob, 6 speed			D120U0012F	1
09	Lift Tube, reverse select, round lever			B120U0017F	1
10	Abutment, cables to transmission			A132F6103S	1
11	Screw, hex. flg. hd., abutment to transmission			A120F6040S	3
12	Retainer, gearshift cables			A138F0015F	1
13	NVH Foam, shift cables seat back			B116V0122F	1
14	Foam, tank bay crossmember			A117A0191F	1
15	Spring, gear lever lift tube			A132F0191S	1
16	Crank Assembly, shift and select			A132F6109S	1

EXIGE

Function Code 47.05 Gearchange Mechanism, External

<u>Dep</u>	<u>Part Description</u>	<u>Remarks</u>	<u>Option</u>	<u>Part Number</u>	<u>Qty</u>
17	Dust Cover, crank pivot			A120F6170S	1
18	Dust Cover, crank to selector			A120F6177S	1
19	Screw, hex. flg. hd., crank assy. to transmission			A132F6254S	2
20	Washer Flat M5 x10 x 0.8			A075W4011F	2
21	Nut Nyloc M5			A075W3008F	2
22	Isolator Gear cables			A132F0207F	4
23	Washer Gear Cables			A132F0208F	4
24	Nut M6 x 1.5, gearshift cables			A132F0209F	2
25	Nut Tube M6 x 1.5, gearshift cables			A132F0210F	2
26	'R' Clip, cables to levers			A075W6175F	2
27	Cable Connector, cable to transmission			A132F6307S	2
28	Grub Screw, lift tube retention			A120F0028S	1
29	Guide, cables to subframe			A138F0028F	1
30	Screw M6 x 12 skt btn hd, guide to subframe			A126W7226F	1
31	Grub Screw M5 x 16			A120W5292F	1
32	Lift Tube Adaptor, lift tube to mechanism			A120F6274S	1



EXIGE

47.06

Service Parts List

EXIGE



Function Code 47.06 Gear Selector Mechanism, Internal

<u>Dep</u>	<u>Part Description</u>	<u>Remarks</u>	<u>Option</u>	<u>Part Number</u>	<u>Qty</u>
01	Selector Fork Assembly, gearshift no. 1			A132F6050S	1
02	Selector Fork, reverse shift			A132F6051S	1
03	Selector Fork Assembly, gearshift no. 2			A132F6052S	1
04	Shift Arm			A132F6053S	1
05	Pivot, shift arm			A132F6054S	1
06	Selector Fork Assembly, gearshift no. 3			A132F6055S	1
07	Head, gearshift no. 2			A132F6056S	1
08	Head, gearshift no. 3			A132F6057S	1
09	Shaft, selector fork no. 1			A132F6058S	1
10	Shaft, selector fork no. 2			A132F6059S	1
11	Shaft, selector fork no. 3			A132F6060S	1
12	Shaft, selector fork no. 4			A132F6061S	1
13	Shaft, selector fork no. 5			A132F6062S	1
14	Shift Lever, inner no. 1			A132F6063S	1
15	Shaft, shift and select lever			A132F6064S	1
16	Plate, shift interlock			A132F6065S	1
17	Plate, shift gate		Sports Ratio G/box	A132F0206F	1
18	Pin, lever shaft fixing			A132F6067S	1

EXIGE

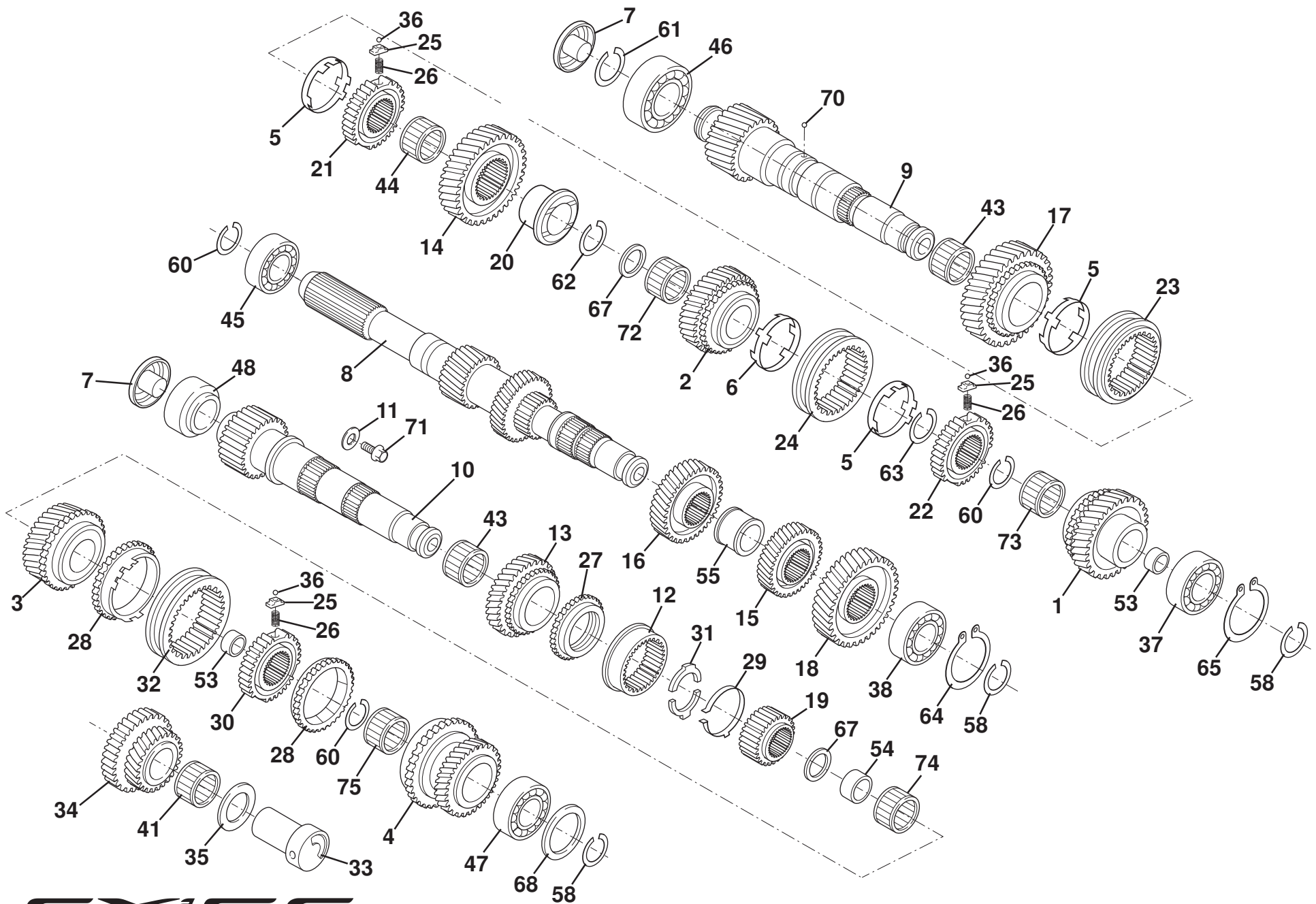
Function Code 47.06 Gear Selector Mechanism, Internal

<u>Dep</u>	<u>Part Description</u>	<u>Remarks</u>	<u>Option</u>	<u>Part Number</u>	<u>Qty</u>
19	Pin, lever shaft fixing			A132F6068S	1
20	Seat, shift detent spring no. 1			A120F6062S	1
21	Detent Ball Assembly			A132F6070S	4
22	Detent Ball Assembly			A132F6071S	4
23	Pin, shift gate			A132F6072S	1
24	Cover Assembly, control shaft	Includes, boot, bearings		A132F6102S	1
25	Bracket, control cable			A132F6103S	1
26	Damper, shift lever			A132F6104S	1
27	Boot, shift lever			A132F6105S	1
28	Bolt, hex. flg. hd., fork to shaft			A132F6133S	3
30	Bolt, hex. flg. hd., plate retention			A132F6134S	2
31	Bolt, hex. flg. hd., damper to lever			A132F6138S	2
31a	Bolt, hex M8 x 35., damper/mass to lever			A075W2038F	2
32	Dowel Pin, cover to casing			A132F6141S	1
33	Pin, slotted spring, head to shaft			A132F6142S	2
34	Oil Seal, cover assembly			A132F6143S	2
35	Bearing, selector shaft			A132F6164S	8
36	Bearing, shift shaft lower			A132F6165S	1
37	Spring, lever shaft pin			A132F6171S	1
38	Spring, shift detent			A132F6172S	4
39	Breather Plug, cover assembly			A132F6252S	1



Function Code 47.06 Gear Selector Mechanism, Internal

<u>Dep</u>	<u>Part Description</u>	<u>Remarks</u>	<u>Option</u>	<u>Part Number</u>	<u>Qty</u>
40	Bolt, hex. flg. hd., cover to casing			A132F6253S	4
41	'E' Clip, shift arm pivot			A132F6255S	1
42	'O' Ring			A132F6256S	1
43	Spring Seat, shift detent			A120F6162S	4
44	Plug, shift detent assy.			A120F6163S	4
45	Detent Ball			A120F6164S	4
46	Pin, slotted spring, fork to shaft			A120F6184S	2
47	Mass, gear selector			A132F0112F	3
48	Washer 8 x 16.6, damper/mass to lever			A075W4020Z	2



EXIGE

47.07

Updated 21st November 2012

Service Parts List

EXIGE



Function Code 47.07 Gears, Shafts & Bearings

<u>Dep</u>	<u>Part Description</u>	<u>Remarks</u>	<u>Option</u>	<u>Part Number</u>	<u>Qty</u>
01	3rd Gear, driven		Sports Ratio G/box	B132F0049F	1
02	4th Gear, driven		Sports Ratio G/box	B132F0051F	1
03	5th Gear, driven		Sports Ratio G/box	B132F0053F	1
04	6th Gear, driven		Sports Ratio G/box	B132F0055F	1
05	Synchro Ring Set, no. 1			A132F6043S	3
06	Synchro Ring Set, no. 4			A132F6044S	1
07	Cover, output shaft			A132F6047S	1
08	Input Shaft			A132F6073S	1
09	Output Shaft, no. 1			A132F6074S	1
10	Output Shaft, no. 2			A132F6075S	1
11	Plate, bearing lock			A132F6076S	2
12	Sleeve, synchro hub, no. 4			A132F6077S	1
13	Reverse Gear			A132F6078S	1
14	2nd Gear			A132F6079S	1
15	3rd Gear		Sports Ratio G/box	B132F0046F	1
16	4th, 5th Gear		Sports Ratio G/box	B132F0160F	1
17	1st Gear			A132F6082S	1
18	6th Gear		Sports Ratio G/box	B132F0048F	1

EXIGE

Function Code 47.07 Gears, Shafts & Bearings

<u>Dep</u>	<u>Part Description</u>	<u>Remarks</u>	<u>Option</u>	<u>Part Number</u>	<u>Qty</u>
19	Synchro Hub, no. 4			A132F6084S	1
20	Bearing Inner, 2nd gear			A132F6085S	1
21	Synchro Hub, no. 1			A132F6086S	1
22	Synchro Hub, no. 2			A132F6087S	1
23	Sleeve, synchro hub, no. 1			A132F6088S	1
24	Sleeve, synchro hub, no. 2			A132F6089S	1
25	Key, synchromesh shifting			A132F6090S	9
26	Spring, synchromesh shifting key no. 1			A132F6091S	9
27	Synchromesh Ring, no. 4			A132F6092S	1
28	Synchromesh Ring Outer, no. 4			A132F6093S	1
29	Spring, synchromesh shifting key no. 3			A132F6094S	1
30	Synchro Hub, no. 3			A132F6095S	1
31	Key, synchromesh shifting, no. 3			A132F6096S	1
32	Sleeve, synchro hub, no. 3			A132F6097S	1
33	Shaft, reverse idler gear			A132F6099S	1
34	Reverse Idler Gear			A132F6100S	1
35	Thrust Washer, reverse idler gear			A132F6101S	1
36	Detent Ball			A132F6149S	9
37	Bearing, radial ball			A132F6150S	1
38	Bearing, radial ball			A132F6151S	1
39	Bearing, needle roller			A132F6152S	1



Function Code 47.07 Gears, Shafts & Bearings

<u>Dep</u>	<u>Part Description</u>	<u>Remarks</u>	<u>Option</u>	<u>Part Number</u>	<u>Qty</u>
40	Bearing, needle roller			A132F6153S	1
41	Bearing, needle roller, reverse idler			A132F6154S	1
42	Bearing, needle roller			A132F6155S	1
43	Bearing, needle roller			A132F6156S	1
44	Bearing, needle roller			A132F6157S	1
45	Bearing, cylindrical roller			A132F6158S	1
46	Bearing, cylindrical roller			A132F6159S	1
47	Bearing, tapered roller			A132F6160S	1
48	Bearing, tapered roller			A132F6161S	1
49	Bearing, tapered roller			A132F6162S	1
50	Bearing, tapered roller			A132F6163S	1
51	Bearing			A132F6164S	1
52	Bearing			A132F6165S	1
53	Collar			A132F6166S	2
54	Collar			A132F6167S	1
55	Collar 3rd gear		Sports Ratio G/box	A132F0047F	1
56	Collar			A132F6169S	1
57	Snap Ring, bearing to shaft			A132F6173S	1
58	Snap Ring, bearing to shaft, A, 1.80mm			A132F6174S	3
58a	Snap Ring, bearing to shaft, B, 1.85mm			A132F6175S	3
58b	Snap Ring, bearing to shaft, C, 1.90mm			A132F6176S	3



Function Code 47.07 Gears, Shafts & Bearings

<u>Dep</u>	<u>Part Description</u>	<u>Remarks</u>	<u>Option</u>	<u>Part Number</u>	<u>Qty</u>
58c	Snap Ring, bearing to shaft, D, 1.95mm			A132F6177S	3
58d	Snap Ring, bearing to shaft, E, 2.00mm			A132F6178S	3
58e	Snap Ring, bearing to shaft, F, 2.40mm			A132F6179S	3
58f	Snap Ring, bearing to shaft, G, 2.45mm			A132F6180S	3
58g	Snap Ring, bearing to shaft, H, 2.50mm			A132F6181S	3
59	Snap Ring, bearing to shaft, 0, 2.05mm			A132F6182S	3
59a	Snap Ring, bearing to shaft, 1, 2.10mm			A132F6183S	3
59b	Snap Ring, bearing to shaft, 2, 2.15mm			A132F6184S	3
59c	Snap Ring, bearing to shaft, 3, 2.20mm			A132F6185S	3
59d	Snap Ring, bearing to shaft, 4, 2.25mm			A132F6186S	3
59e	Snap Ring, bearing to shaft, 5, 2.30mm			A132F6187S	3
59f	Snap Ring, bearing to shaft, 6, 2.35mm			A132F6188S	3
60	Snap Ring, bearing to shaft, 1, 2.25mm			A132F6189S	2
60a	Snap Ring, bearing to shaft, 1, 2.30mm			A132F6190S	2
60b	Snap Ring, bearing to shaft, 1, 2.35mm			A132F6191S	2
60c	Snap Ring, bearing to shaft, 1, 2.40mm			A132F6192S	2
60d	Snap Ring, bearing to shaft, 1, 2.45mm			A132F6193S	2
60e	Snap Ring, bearing to shaft, 1, 2.50mm			A132F6194S	2
61	Snap Ring, bearing to shaft			A132F6195S	1
62	Snap Ring, bearing to shaft, A, 2.25mm			A132F6196S	1
62a	Snap Ring, bearing to shaft, B, 2.30mm			A132F6197S	1



Function Code 47.07 Gears, Shafts & Bearings

<u>Dep</u>	<u>Part Description</u>	<u>Remarks</u>	<u>Option</u>	<u>Part Number</u>	<u>Qty</u>
62b	Snap Ring, bearing to shaft, C, 2.35mm			A132F6198S	1
62c	Snap Ring, bearing to shaft, D, 2.40mm			A132F6199S	1
62d	Snap Ring, bearing to shaft, E, 2.45mm			A132F6200S	1
62e	Snap Ring, bearing to shaft, F, 2.50mm			A132F6201S	1
62f	Snap Ring, bearing to shaft, G, 2.55mm			A132F6202S	1
62g	Snap Ring, bearing to shaft, H, 2.60mm			A132F6203S	1
63	Snap Ring, bearing to shaft, A, 2.25mm			A132F6204S	1
63a	Snap Ring, bearing to shaft, B, 2.30mm			A132F6205S	1
63b	Snap Ring, bearing to shaft, C, 2.35mm			A132F6206S	1
63c	Snap Ring, bearing to shaft, D, 2.40mm			A132F6207S	1
63d	Snap Ring, bearing to shaft, E, 2.45mm			A132F6208S	1
63e	Snap Ring, bearing to shaft, F, 2.50mm			A132F6209S	1
63f	Snap Ring, bearing to shaft, G, 2.55mm			A132F6210S	1
63g	Snap Ring, bearing to shaft, H, 2.60mm			A132F6211S	1
64	Snap Ring, bearing to shaft			A132F6212S	1
65	Snap Ring, bearing to shaft			A132F6213S	1
66	Snap Ring, bearing to shaft			A132F6214S	1
67	Snap Ring, bearing to shaft			A132F6215S	1
68	Snap Ring, bearing to shaft, A, 1.80mm			A132F6216S	1
68a	Snap Ring, bearing to shaft, B, 1.85mm			A132F6217S	1
68b	Snap Ring, bearing to shaft, C, 1.90mm			A132F6218S	1



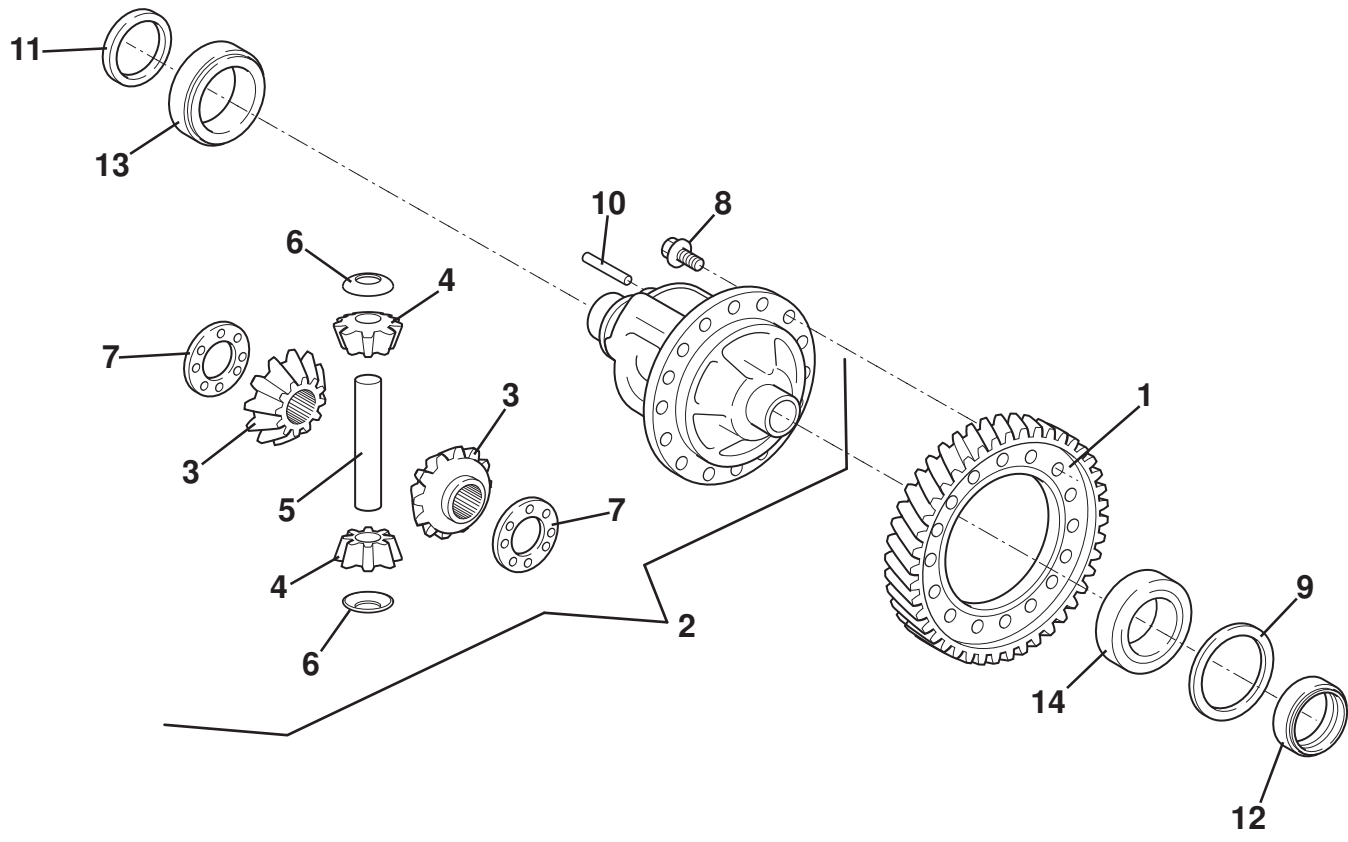
Function Code 47.07 Gears, Shafts & Bearings

<u>Dep</u>	<u>Part Description</u>	<u>Remarks</u>	<u>Option</u>	<u>Part Number</u>	<u>Qty</u>
68c	Snap Ring, bearing to shaft, D, 1.95mm			A132F6219S	1
68d	Snap Ring, bearing to shaft, E, 2.00mm			A132F6220S	1
68e	Snap Ring, bearing to shaft, F, 2.05mm			A132F6221S	1
68f	Snap Ring, bearing to shaft, G, 2.10mm			A132F6222S	1
68g	Snap Ring, bearing to shaft, H, 2.15mm			A132F6223S	1
68h	Snap Ring, bearing to shaft, J, 2.20mm			A132F6224S	1
68i	Snap Ring, bearing to shaft, K, 2.25mm			A132F6225S	1
68j	Snap Ring, bearing to shaft, L, 2.30mm			A132F6226S	1
68k	Snap Ring, bearing to shaft, M, 2.35mm			A132F6227S	1
68l	Snap Ring, bearing to shaft, N, 2.40mm			A132F6228S	1
68m	Snap Ring, bearing to shaft, P, 2.45mm			A132F6229S	1
68n	Snap Ring, bearing to shaft, Q, 2.50mm			A132F6230S	1
68o	Snap Ring, bearing to shaft, R, 2.55mm			A132F6231S	1
68p	Snap Ring, bearing to shaft, S, 2.60mm			A132F6232S	1
68q	Snap Ring, bearing to shaft, T, 2.65mm			A132F6233S	1
69	Screw, hex. flg. hd., plate fixing			A120F6027S	1
70	Detent Ball, output shaft			A131F6056S	1
71	Screw, hex. flg. hd., plate fixing			A120F6027S	2
72	Bearing, needle roller			A132F6155S	1
73	Bearing, needle roller			A132F6152S	1
74	Bearing, needle roller			A132F6155S	1



Function Code 47.07 Gears, Shafts & Bearings

<u>Dep</u>	<u>Part Description</u>	<u>Remarks</u>	<u>Option</u>	<u>Part Number</u>	<u>Qty</u>
75	Bearing, needle roller			A132F6153S	1



EXIGE

47.11

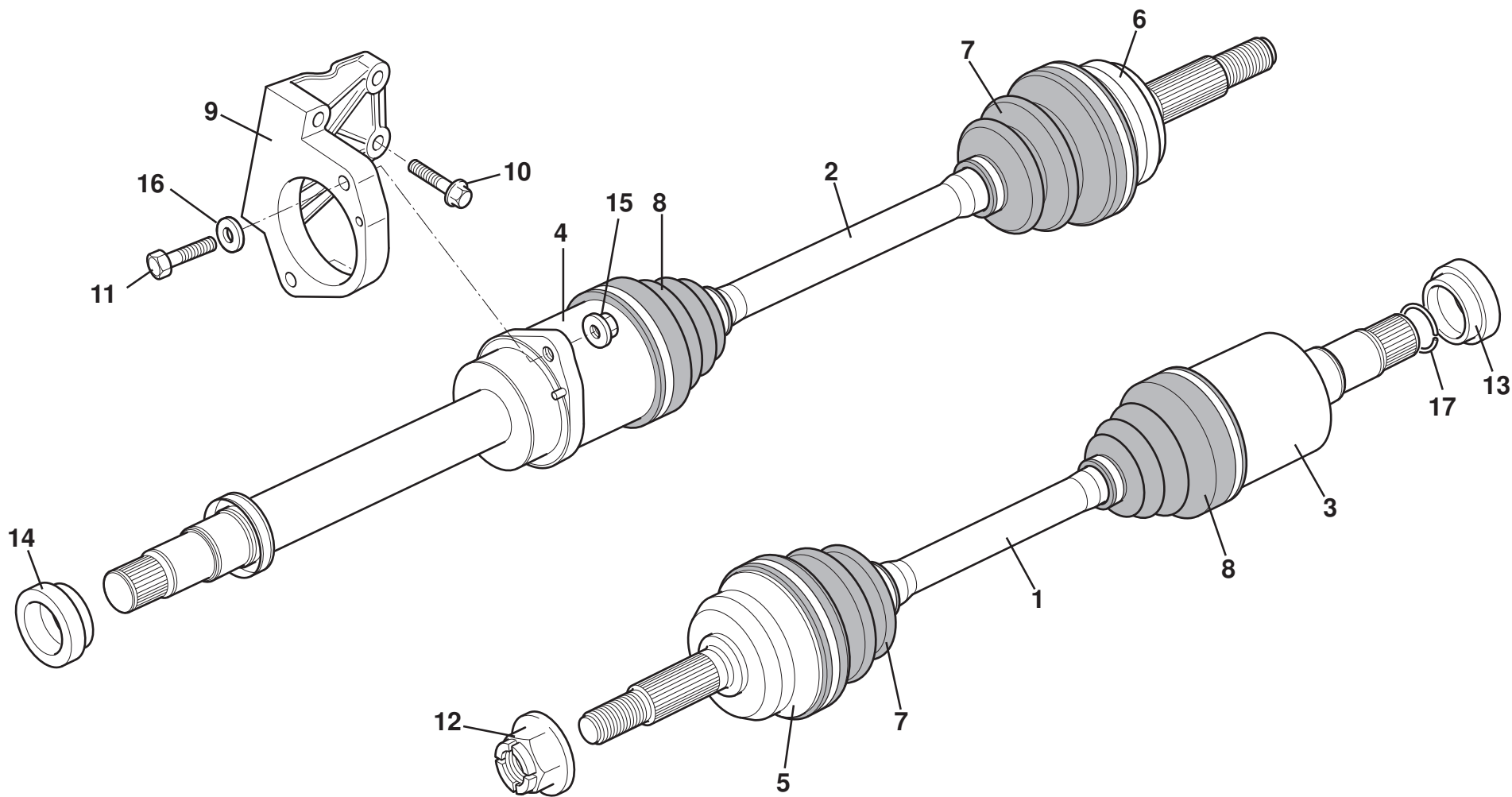
Function Code 47.11 Final Drive & Bearings

<u>Dep</u>	<u>Part Description</u>	<u>Remarks</u>	<u>Option</u>	<u>Part Number</u>	<u>Qty</u>
01	Gear, differential ring			A132F6110S	1
02	Differential Assembly			A132F6111S	1
03	Gear, differential side			A132F6112S	2
04	Pinion, differential			A132F6113S	2
05	Shaft, differential pinion			A132F6114S	1
06	Thrust Washer, differential pinion			A132F6115S	2
07	Thrust Washer, differential side gear, 1.25mm			A132F6116S	2
07	Thrust Washer, differential side gear, 1.30mm			A132F6127S	2
07a	Thrust Washer, differential side gear, 1.35mm			A132F6117S	2
07b	Thrust Washer, differential side gear, 1.40mm			A132F6118S	2
07c	Thrust Washer, differential side gear, 1.45mm			A132F6119S	2
07d	Thrust Washer, differential side gear, 1.50mm			A132F6120S	2
07e	Thrust Washer, differential side gear, 1.55mm			A132F6121S	2
07f	Thrust Washer, differential side gear, 1.60mm			A132F6122S	2
07g	Thrust Washer, differential side gear, 1.65mm			A132F6123S	2
07h	Thrust Washer, differential side gear, 1.70mm			A132F6125S	2
07i	Thrust Washer, differential side gear, 1.75mm			A132F6125S	2
07j	Thrust Washer, differential side gear, 1.80mm			A132F6126S	2
07l	Thrust Washer, differential side gear, 1.85mm			A132F6128S	2
07lm	Thrust Washer, differential side gear, 1.90mm			A132F6129S	2
07n	Thrust Washer, differential side gear, 1.95mm			A132F6130S	2



Function Code 47.11 Final Drive & Bearings

<u>Dep</u>	<u>Part Description</u>	<u>Remarks</u>	<u>Option</u>	<u>Part Number</u>	<u>Qty</u>
08	Screw, hex. flg. hd., gear to differential			A132F6135S	16
09	Shim, bearing to housing, 0, 2.00mm			A132F6234S	1
09a	Shim, bearing to housing, 1, 2.05mm			A132F6235S	1
09b	Shim, bearing to housing, 2, 2.10mm			A132F6236S	1
09c	Shim, bearing to housing, 3, 2.15mm			A132F6237S	1
09d	Shim, bearing to housing, 4, 2.20mm			A132F6238S	1
09e	Shim, bearing to housing, 5, 2.25mm			A132F6239S	1
09f	Shim, bearing to housing, 6, 2.30mm			A132F6240S	1
09g	Shim, bearing to housing, 7, 2.35mm			A132F6241S	1
09h	Shim, bearing to housing, 8, 2.40mm			A132F6242S	1
09i	Shim, bearing to housing, 9, 2.45mm			A132F6243S	1
10	Pin, gear to casing			A120F6216S	1
11	Oil Seal, output, RH	Also see 47.15		A132F6145S	1
12	Oil Seal, output, LH	Also see 47.15		A132F6146S	1
13	Bearing, tapered roller			A132F6162S	1
14	Bearing, tapered roller			A132F6163S	1



EXIGE
47.15

Updated 21st November 2012

Service Parts List

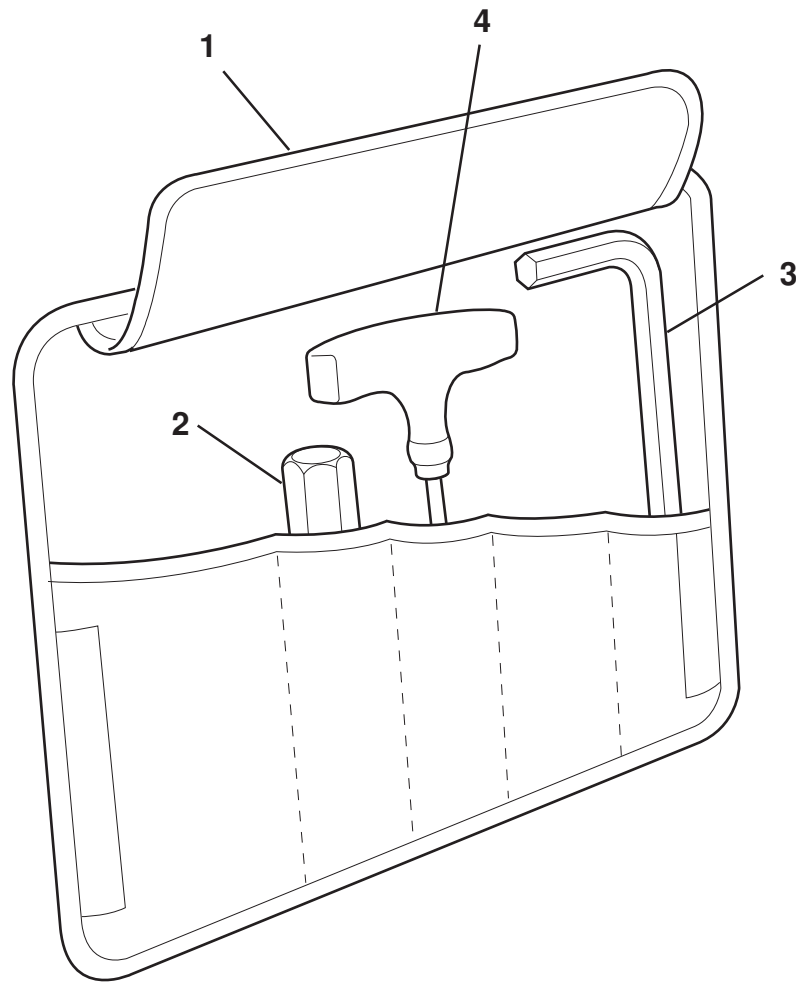
EXIGE



Function Code 47.15 Driveshafts & Seals

<u>Dep</u>	<u>Part Description</u>	<u>Remarks</u>	<u>Option</u>	<u>Part Number</u>	<u>Qty</u>
01	Driveshaft Assembly, LH			A138F0004F	1
02	Driveshaft Assembly, RH			A138F0005F	1
03	CV Joint, inner, LH	Includes gaiter, clips, snap ring and grease		A132D6011S	1
04	CV Joint kit, inner, RH	Includes gaiter, clips and grease		A132D6012S	1
05	CV Joint kit, outer, LH	Includes shaft, gaiters, clips and grease			1
06	CV Joint kit, outer, RH	Includes shaft, gaiters, clips and grease			1
07	Gaiter Kit, outboard	Includes clips and grease		A132D6007S	2
08	Gaiter Kit, inboard	Includes clips, snap ring, grease		A132D6008S	2
09	Bracket, intermediate drive shaft, manual			A132F0008F	1
10	Bolt, flg. hd., bracket to block			A132E6062H	3
11	Bolt, M10 x 50. hex. hd , bracket to shaft			A132W2045F	2
12	Locknut, M24, flange, driveshaft to hub			A132F6029F	2
13	Oil Seal, output, LH			A132F6146S	1
14	Oil Seal, output, RH			A132F6145S	1
15	Nut M10 hex flg			A132W3007F	2
16	Washer 7/16 x 7/8			B120W4199F	2
17	Circlip, driveshaft			A132F6315S	1

EXIGE

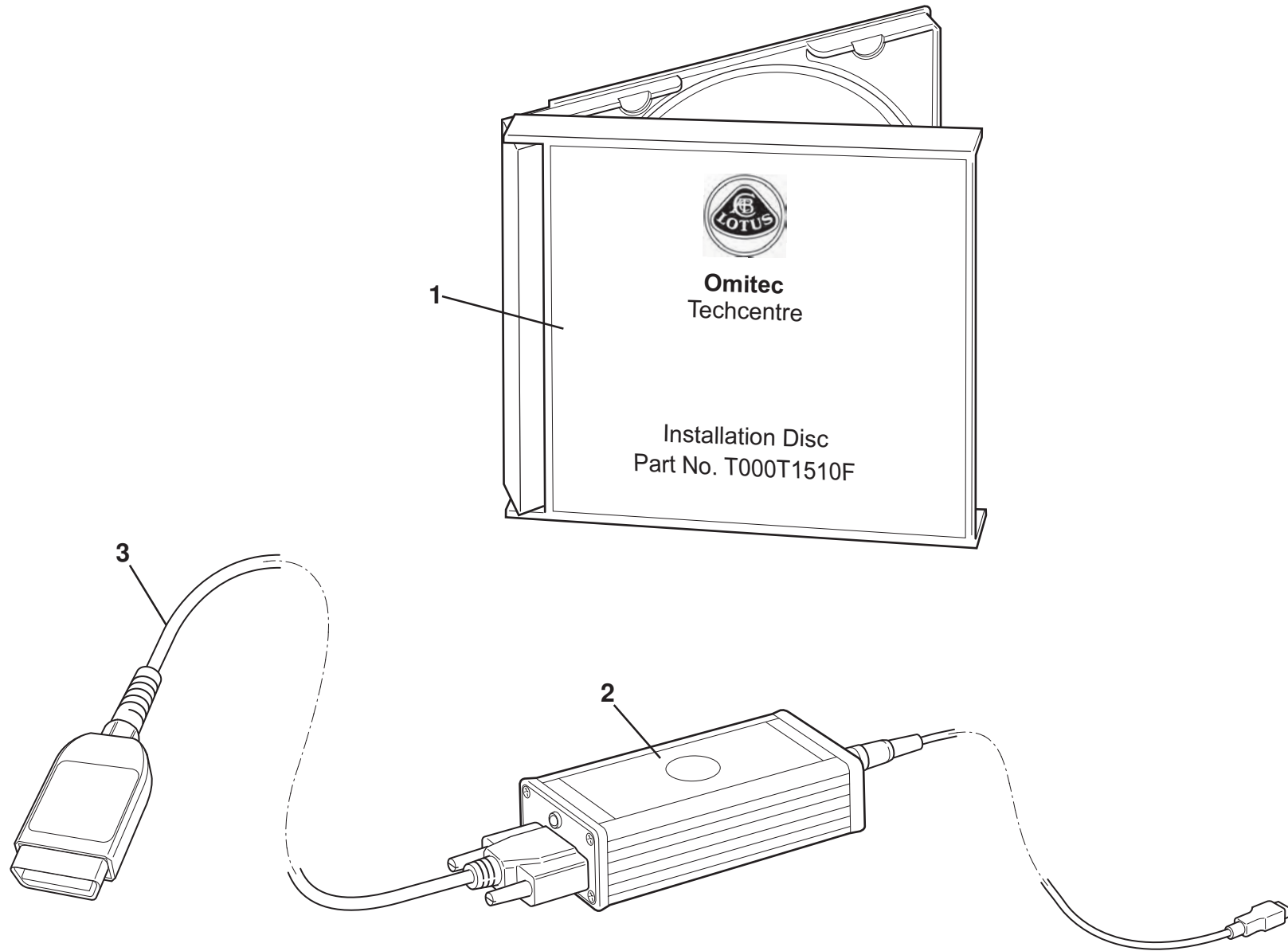


EXIGE

60.01

Function Code 60.01 Tool Kit

<u>Dep</u>	<u>Part Description</u>	<u>Remarks</u>	<u>Option</u>	<u>Part Number</u>	<u>Qty</u>
01	Tool Kit Complete			A138T0002J	1
02	Adaptor Key			A117G0036F	1
03	Allen Key 5 x 160mm			A117T6001H	1
04	Wrench 'T' Bar, torx 25 x 100mm			A138T6000F	1



EXIGE
60.01a

Service Parts List

EXIGE



Function Code 60.01a Diagnostic Equipment

<u>Dep</u>	<u>Part Description</u>	<u>Remarks</u>	<u>Option</u>	<u>Part Number</u>	<u>Qty</u>
01	Techcentre Installation Disc			T000T1510F	1
02	Kit, Vehicle Communication Device	Includes leads (yellow, 2x USB) and case		T000T1472F	1
03	Lead, Programming communications, yellow			T000T1497F	1
04	Lead, Vehicle Communication Device (VCD) to PC	Not illustrated		T000T1537F	1

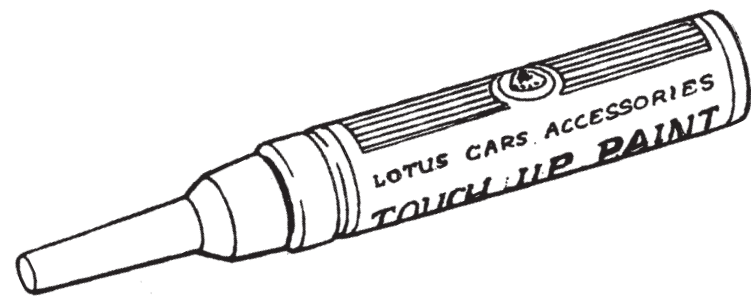
Not Illustrated

EXIGE

60.02

Function Code 60.02 Special Tools

<u>Dep</u>	<u>Part Description</u>	<u>Remarks</u>	<u>Option</u>	<u>Part Number</u>	<u>Qty</u>
01	Hanger, engine, LH			A132E6183S	1
02	Hanger, engine, RH			A132E6182S	1
03	Flange bolt, engine hanger			A132E6184S	4
04	Oil Filter Wrench			T000T1441F	1
05	Clutch Tool	For use when fitting clutch to flywheel		T000T1524F	1
06	Fuel Pipe Release Tool			T000T1450F	1
07	Fuel Gauge Kit			T000T1451F	1
08	Fuel Measure Set			T000T1452F	1
09	Fuel Tube Connector			T000T1453F	1
10	Fuel Tank Connector			T000T1454F	1



EXIGE

80.20a

Service Parts List

EXIGE



Function Code 80.20a Touch-in Paint Pencil Range

<u>Dep</u>	<u>Part Description</u>	<u>Remarks</u>	<u>Option</u>	<u>Part Number</u>	<u>Qty</u>
75	B75, Motorsport Green			A120B6086S	1
93	B93, Starlight Black Metallic			A082B6402F	1
94	B94, Ardent Red			A082B6400F	1
98	B98, Storm Titanium			A082B6408F	1
105	B105, Nightfall Blue			A082B6415F	1
111	B111, Motorsport Black			A120B6045S	1
113	B113, Aspen White			A120B6028S	1
114	B114, Solar Yellow			A120B6029S	1
119	B119, Racing Green			A120B6034S	1
120	B120, Laser Blue			A120B6035S	1
130	B130, Arctic Silver			A120B6050S	1
137	B137, Carbon Grey			A120B6062S	1
149	C149, Velvet Red			A120B6087S	1
151	C151, Sienna Brown			A120B6088S	1
158	C158, Military Grey				1
161	C161, Pearl White				1

EXIGE